



# CATALOGUE

## 2014

**TTABC-Series of Horizontal Centrifugal Pump**



PRODUCT BROCHURE

TORONTECH  
**PUMPS**

TORONTECH.COM



Torontech™ is a leading North American based international manufacturer and supplier of pumps, pipes, valves & actuators. The Torontech™ group has established an extensive network in the USA as well as international markets and remains to be a preferred vendor of choice supplying quality pumps for today's leading corporations.

Creating comprehensive solutions for our clients has always been the core value of our company. From sales, to order execution, and post-sales support; every staff member is here to assist you in selecting the solution that best suits your unique requirements and budget.

The Torontech™ group offers a complete range of quality pumps that are ANSI to ISO approved and engineered to last, ensuring your company continuous production without interruptions.

Since the beginning, we have succeeded in only offering quality manufactured pumps that are currently being used worldwide. We offer the best value for your investment and provide world-class support.

Due to the demand for our quality pumps, Torontech™ has experience explosive growth primarily in the oil & gas, water filtration and chemical refinery industries.

We offer an extensive range of solutions and products for oil & gas projects, refineries, petrochemical plants, and marine applications. Our main class of pumps includes API (American Petroleum Institute) Standard, Mining, Water & Sewage and Firefighting applications. The pumps are offered in various configurations depending on orientation of the pump, required head and type of fuel used for operation.

TTABC-Series of Horizontal Centrifugal Pump

CONTENTS

Outline of the product	1
Product features	1
Working conditions	2
Model meaning	2
Chief usage	3
Structure description	4
TTABC- SLW、SLWD atlas of style	5
TTABC- SLW type pump performance data	7
TTABC- SLWD type pump performance data	14
TTABC- SLW(SLWD) type pump dimension figure	17
TTABC- SLW type pump dimension table	17
TTABC- SLWD type pump dimension table	25
TTABC- SLW(SLWD) type pump installation basic figure table	28
TTABC- SLW type pump table of basic dimension	28
TTABC- SLWD type pump table of basic dimension	32
Reference table for pipeline loss	33

Overview of product

TTABC-SLW series single-stage end-suction horizontal centrifugal pumps are designed on the basis of SLS series vertical centrifugal pumps with the performance parameters identical to those of SLS series and in accordance with the requirements of ISO 2858. TTABC-SLW Series is divided into basic type, flow-expansion type, ABC cutting type with more than 250 specifications to meet different requirements. The flow is ranging from

1.9-2400m<sup>3</sup>/h while the head falls within 4.5-160m range. Based on the different media and temperatures applied to the system, model TTABC-SLWR hot-water pump, model TTABC-SLWH chemical pump, model TTABC-SLWY oil pump and model TTABC-SL-WHY horizontal anti-explosion chemical pump products can be selected based on different material selections .

Features of product

1. Compact structure. These series pumps have an integrally Horizontal structure. The land occupation, if compared with regular horizontal centrifugal pumps, is reduced by 30%.
2. Stable operation, low noise, high concentricity of assembly. By the straight joint between the motor and the pump, the middle structure is simplified, thus enhancing the running stability, which minimizes the vibration during running.
3. A mechanical seal of anti septic carbide

alloy is used for the shaft sealing to avoid serious leakage when filling centrifugal pumps and ensure the operation environment clean.

4. Convenient service. Service can be easily done without removing any pipeline because of the back-opened structure.

5. Viewing from the inlet of the pump, the outlet of it can be mounted in one of the three ways, horizontally leftward, vertically upward and horizontally rightward.



TTABC-Series of Horizontal Centrifugal Pump

### Working conditions

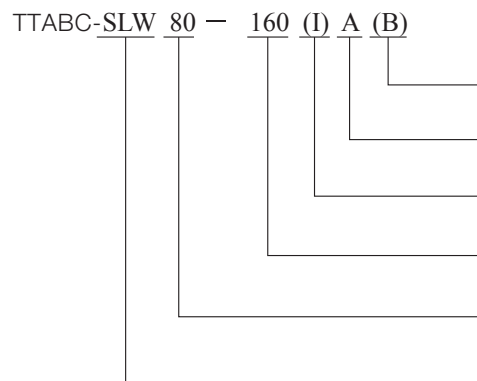
1. Maximum working pressure of pump is 1.6MPa, which means the pressure at the suction + the head ≤ 1.6MPa. The pressure in static test is 2.5MPa, please notify if the working pressure is higher than 1.6MPa for us to select proper cast steel material for the over-flow and joint parts when ordering.  
2. Proper medium: the media for pure-water pumps should contain no corrosive liquid

and the volume of non-melting medium solid should not be over 0.1% of the media volume and the graininess should be less than 0.2mm. Please notify at order if the media contains small grain.  
3. Ambient temperature should not be over 40°C and the installation altitude should less than 1000m above the sea level with no more than 95% of the relative humidity.

### Major purpose

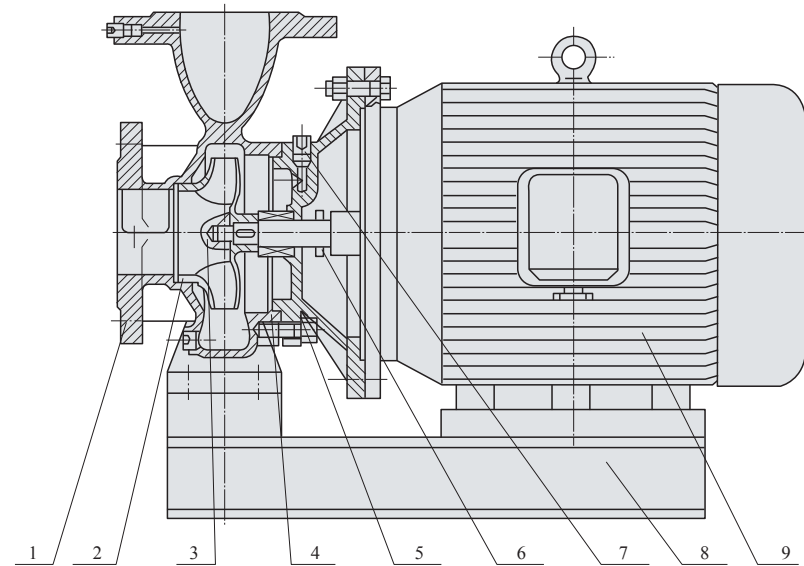
1. TTABC-SLW series horizontal centrifugal pump is used to transport pure water and other liquids have similar physical and chemical properties to pure water. It is suitable for water supply and drainage in industrial and city booster water-feeding of high rise buildings, garden irrigation, fire-fighting, remote mater-transportation, heating, cold-hot water circulation and boosting in bathrooms and etc. The temperature of the media should be less than 80°C.
2. TTABC-SLWR series horizontal hot-water pump is suitable for the heating, hot-water boosting, water circulation and transportation, heating system for buildings and houses in civil and enterprise units, power station, thermal power station, metallurgy, chemical industry, textile, wood processing, paper-making etc. The temperature of the media should be under 100°C.
3. TTABC-SLWH series horizontal chemical pump is used to transport the liquid containing no solid grain. The corrosivity and a viscosity of the media should be similar to water. It is suitable for light textile industry, petroleum, chemistry, metallurgy, electric power, paper-making, food processing, pharmaceutical, synthetic fibre etc. The temperature should be in the range of -20 to 100°C.
4. TTABC-SLWY series horizontal anti-explosion oil pump is suitable for the petroleum, light & textile, chemical, mechanical industry to transport non-corrosive, combustible and explosive liquids. The temperature of the transported media should be ranging from -20 to 100°C and the media intensity should be lower than 1000Kg/m<sup>3</sup>.
5. TTABC-SLWHY series horizontal anti-explosion chemical pump is used to transport the liquid containing no solid grain. The corrosivity and a viscosity of the media should be similar to water. It is suitable for light & textile, petroleum, chemical, metallurgy, mining, pharmaceutical, synthetic fibre industries. . The temperature should be in the range of -20 to 100°C.

### Model meaning



- Impeller through second-cutting
- Impeller through first-cutting
- Incremental capacity
- Nominal O.D.of impeller(mm)
- Nominal dia. of inlet and outlet apertures(mm)
- SLW horizontal centrifugal pump
- SLWR horizontal hot-water pump
- SLWH horizontal chemical pump
- SLWY horizontal non-explosive oil pump
- SLWHY horizontal non-explosive chemical pump
- SLWD horizontal low speed centrifugal pump

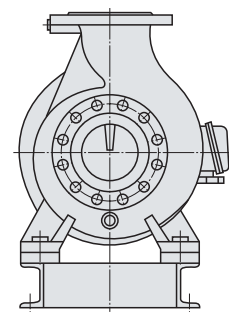
### Structure description



1	Pump casing	quantity
2	Impeller	1
3	Impeller nut	1
4	Mechanical seal	1
5	Pump cover	1
6	Water-bloching ring	1
7	Plug	4
8	Fundation	1
9	Motor	1

See the figure for the structure. This pump consists of pump, motor and foundation. Its structure is mainly formed by pump casing, impeller, pump cover, mechanical seal etc. It is a single-stage single-suction horizontal centrifugal pump and both pump casing and cover can be separated from the back side of the impeller. For most of the pumps, a sealing ring is set in both front and back of the impeller to make a balance on the axial force of the rotor.

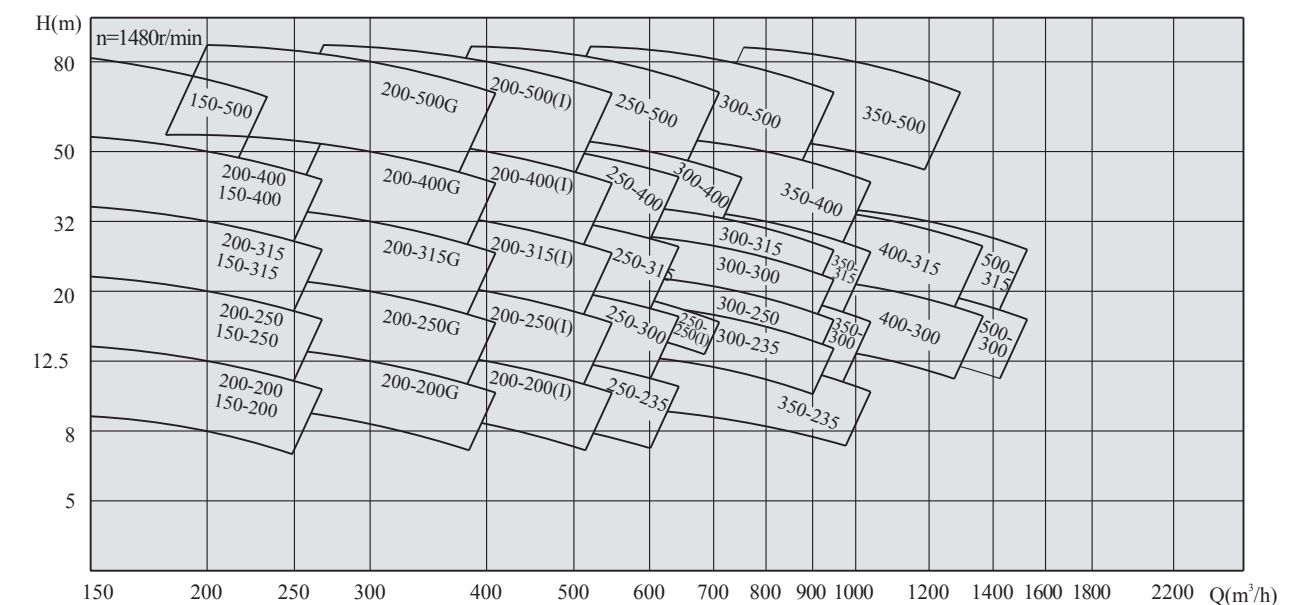
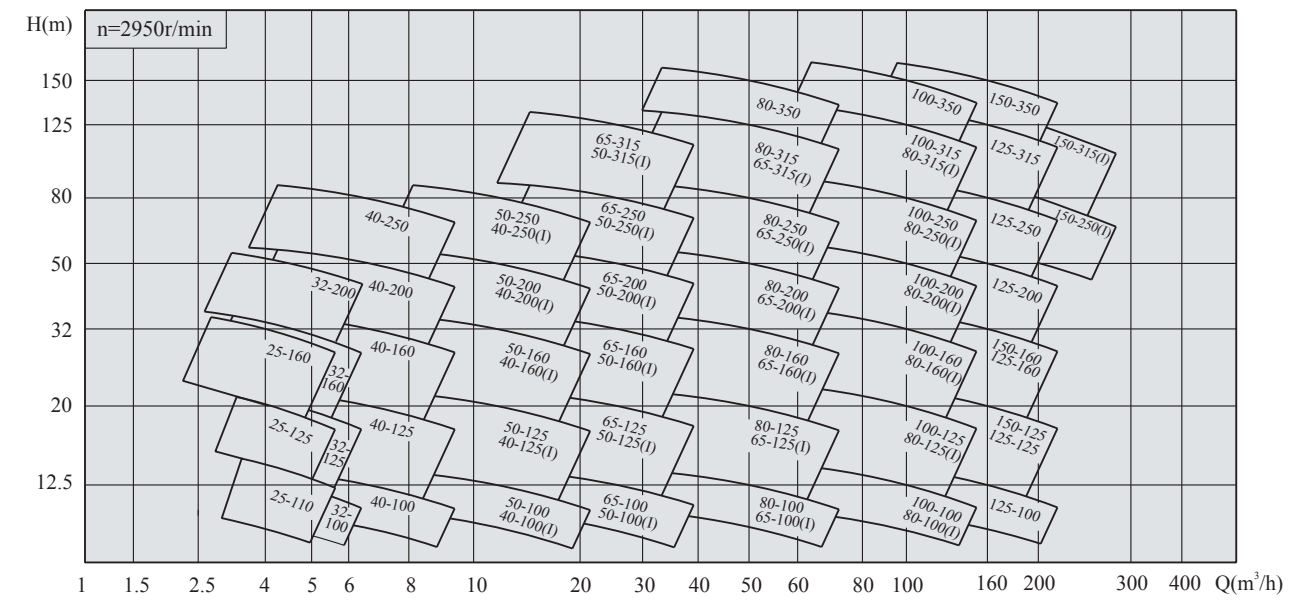
Both pump and motor are coaxial. A dual-angle contacting-ball bearing structure is used at the end of the motor's shaft, which can partially balance the residual axial force of the pump. With the straight joint between pump and motor, it is not necessary to calibrate when being mounted. The outlet of the pump is mounted vertically upward. Please contact us if the outlet needs to be mounted leftward or rightward.



Outlet to upward(from inlet)

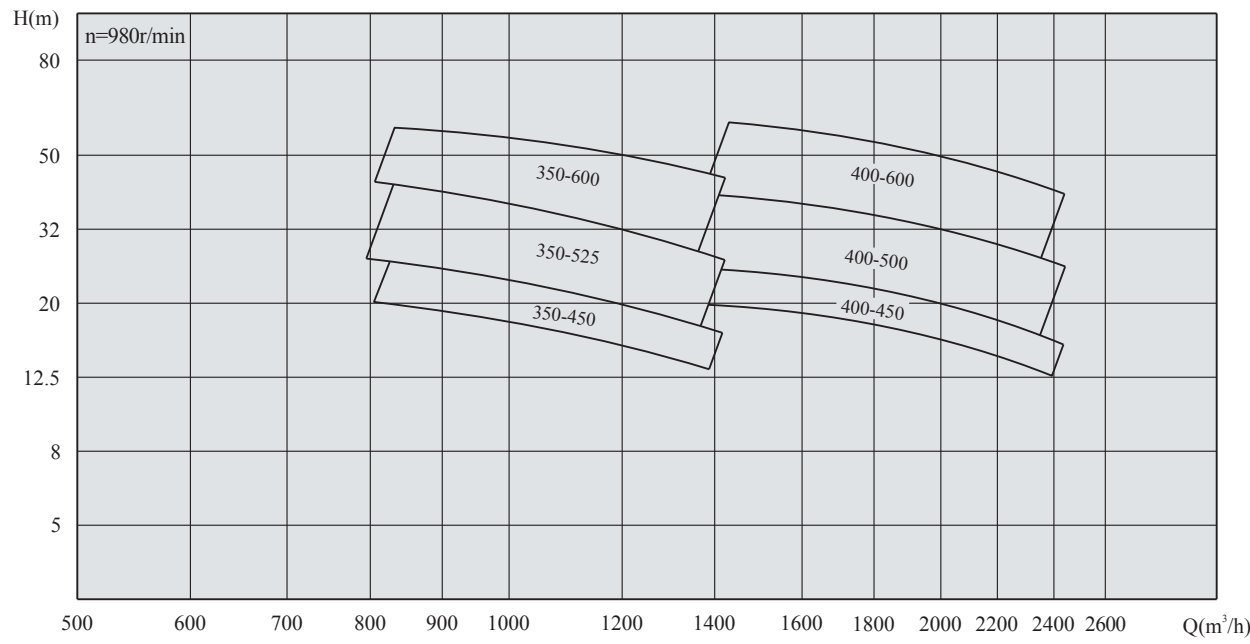
### TTABC-Series of Horizontal Centrifugal Pump

#### TTABC-SLW atlas of style

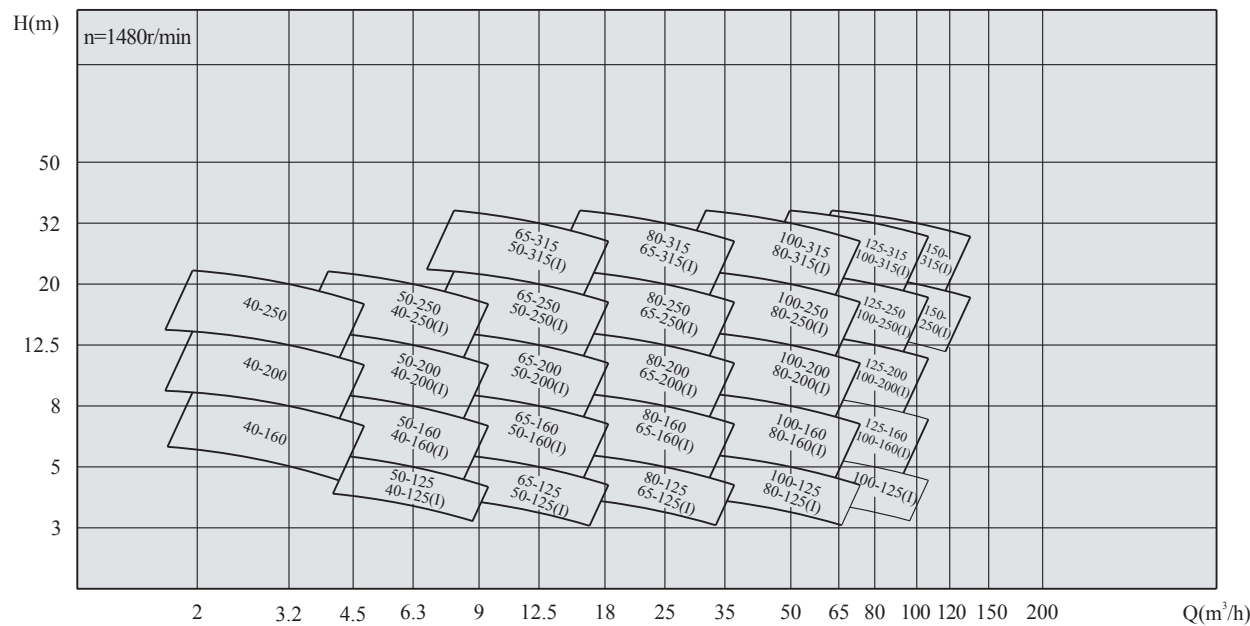


TTABC-Series of Horizontal Centrifugal Pump

TTABC-SLW atlas of style



SLWD atlas of style



TTABC-SLW type pump performance

Type	Capacity		Head (m)	Power (kW)	Speed (r/min)	Eff. $\eta$ (%)	(NPSH) <sub>r</sub> (m)	Weight (Kg)
	(m³/h)	(L/s)						
SLW25-110	2.8 4 5.2	0.78 1.11 1.44	16 15 13.5	0.55	2950	41.2	2.3	31
SLW25-125	2.8 4 5.2	0.78 1.11 1.44	20.6 20 18	0.75	2950	37.5	2.3	35
SLW25-125A	2.5 3.6 4.6	0.69 1 1.28	17 16 14.4	0.75	2950	36.6	2.3	35
SLW25-160	2.8 4 5.2	0.78 1.11 1.44	33 30 26	1.5	2950	29.9	2.3	44
SLW25-160A	2.6 3.7 4.9	0.72 1.03 1.36	29 28 26	1.1	2950	29.0	2.3	40
SLW32-100	3.5 4.5 5.3	0.97 1.25 1.47	14.5 12.5 11	0.55	2950	45.9	2.3	35
SLW32-125	3.5 5 6.5	0.97 1.39 1.80	22 20 18	1.1	2950	42.2	2.3	38
SLW32-125A	3.1 4.5 5.8	0.86 1.25 1.61	20 16 14.4	0.75	2950	41.2	2.3	37
SLW32-160	3.5 4.5 6	0.97 1.25 1.67	34 32 26	1.5	2950	32.8	2.3	49
SLW32-160A	3.5 4.5 6	0.97 1.25 1.67	26.5 25 19	1.1	2950	31.8	2.3	43
SLW32-200	3.5 4.5 5.5	0.97 1.25 1.53	53 50 45	3	2950	23.8	2.3	68
SLW32-200A	3 4 5	1.08 1.11 1.17	43 40 37	2.2	2950	22.9	2.3	58
SLW40-100	4.4 6.3 8.3	1.22 1.75 2.31	13.2 12.5 11.3	0.55	2950	51.7	2.3	38
SLW40-100A	3.9 5.6 7.4	1.08 1.56 2.06	10.6 10 9	0.55	2950	50.7	2.3	37
SLW40-125	4.4 6.3 8.3	1.22 1.75 2.31	21 20 18	1.1	2950	46.0	2.3	45
SLW40-125A	3.9 5.6 7.4	1.08 1.56 2.06	17.6 16 14.5	0.75	2950	45.0	2.3	38
SLW40-160	4.4 6.3 8.3	1.22 1.75 2.31	33 32 30	2.2	2950	39.6	2.3	52
SLW40-160A	4.1 5.9 7.5	1.14 1.64 2.08	29 28 26.3	1.5	2950	38.7	2.3	42
SLW40-160B	3.8 5.5 7.2	1.06 1.53 1.94	25.5 24 21.5	1.1	2950	37.7	2.3	35
SLW40-200	4.4 6.3 8.3	1.22 1.75 2.31	51 50 48	4	2950	31.6	2.3	79
SLW40-200A	4.1 5.9 7.8	1.14 1.64 2.17	45 44 42	4	2950	30.7	2.3	67
SLW40-200B	3.7 5.3 7	1.03 1.47 1.94	38 36 34.5	3	2950	29.7	2.3	57
SLW40-250	4.4 6.3 8.3	1.22 1.75 2.31	82 80 74	7.5	2950	21.4	2.3	123

Type	Capacity		Head (m)	Power (kW)	Speed (r/min)	Eff. $\eta$ (%)	(NPSH) <sub>r</sub> (m)	Weight (Kg)
	(m³/h)	(L/s)						
SLW40-250A	4.1 5.9 7.8	1.14 1.64 2.17	72 70 65	5.5	2950	20.4	2.3	115
SLW40-250B	3.8 5.5 7	1.06 1.53 1.94	61.5 60 56	5.5	2950	19.5	2.3	104
SLW40-100(I)	8.8 12.5 16.3	2.44 3.47 4.53	13.2 12.5 11.3	1.1	2950	61.2	2.3	40
SLW40-100(I)A	8 11 15	2.22 3.05 4.17	10.6 10 9	0.75	2950	60.2	2.3	38
SLW40-125(I)	8.8 12.5 16.3	2.44 3.47 4.53	21.2 20 17.8	1.5	2950	57.1	2.3	47
SLW40-125(I)A	8 11 15	2.22 3.05 4.17	17 16 14	1.1	2950	56.1	2.3	40
SLW40-160(I)	8.8 12.5 16.3	2.44 3.47 4.53	33 32 30	3	2950	51.4	2.3	67
SLW40-160(I)A	8.2 12 15.2	2.28 3.33 4.22	29 28 26	2.2	2950	50.4	2.3	56
SLW40-160(I)B	7.3 10 14	2.03 2.78 3.89	23 22 20.5	2.2	2950	49.5	2.3	53
SLW40-200(I)	8.8 12.5 16.3	2.44 3.47 4.53	51.2 50 48	5.5	2950	45.3	2.3	110
SLW40-200(I)A	8.3 11.7 15.3	2.31 3.25 4.25	45 44 42	4	2950	44.4	2.3	90
SLW40-200(I)B	7.5 10.5 13.8	2.08 2.92 3.83	37 36 34	3	2950	43.4	2.3	78
SLW40-250(I)	8.8 12.5 16.3	2.44 3.47 4.53	81.2 80 77.5	11	2950	36.9	2.3	175
SLW40-250(I)A	8.2 11.6 15.2	2.28 3.22 4.22	71 70 68	11	2950	35.9	2.3	125
SLW40-250(I)B	7.6 10.8 14	2.11 3 3.89	61.4 60 58	7.5	2950	35.0	2.3	118
SLW50-100	8.8 12.5 16.3	2.44 3.47 4.53	13.6 12.5 11.3	1.1	2950	61.2	2.3	40
SLW50-100A	8 11 14.5	2.22 3.05 4.03	11 10 9	0.75	2950	60.2	2.3	38
SLW50-125	8.8 12.5 16.3	2.44 3.47 4.53	21.2 20 17.8	1.5	2950	57.1	2.3	47
SLW50-125A	8 11 14.5	2.22 3.05 4.03	17 16 14	1.1	2950	56.1	2.3	40
SLW50-160	8.8 12.5 16.3	2.44 3.47 4.53	33 32 30	3	2950	51.4	2.3	68
SLW50-160A	8.2 11.7 15.2	2.28 3.25 4.22	29 28 26	2.2	2950	50.4	2.3	58
SLW50-160B	7.3 10.4 13.5	2.03 2.89 3.75	23 22 20.5	2.2	2950	49.5	2.3	53
SLW50-200	8.8 12.5 16.3	2.44 3.47 4.53	52 50 48	5.5	2950	45.0	2.3	108





TTABC-Series of Horizontal Centrifugal Pump

**TTABC-SLW type pump performance**

Type	Capacity		Head (m)	Power (kW)	Speed (r/min)	Eff. η (%)	(NPSH) <sub>r</sub> (m)	Weight (Kg)
	(m³/h)	(L/s)						
SLW50-200A	8.3	2.31	45.8	4	2950	44.4	2.3	88
	11.7	3.25	44					
	15.3	4.25	42					
SLW50-200B	7.5	2.08	37	3	2950	43.4	2.3	78
	10.6	2.94	36					
	13.8	3.83	34					
SLW50-250	8.8	2.44	82	11	2950	36.9	2.3	175
	12.5	3.47	80					
	16.3	4.53	77.5					
SLW50-250A	8.2	2.28	71.5	11	2950	35.9	2.3	125
	11.6	3.22	70					
	15.2	4.22	68					
SLW50-250B	7.6	2.11	61.4	7.5	2950	35.0	2.3	118
	10.8	3	60					
	14	3.89	58					
SLW50-100(I)	17.5	4.86	13.7	1.5	2950	67.4	2.5	55
	25	6.94	12.5					
	32.5	9.03	10.5					
SLW50-100(I)A	15.6	4.3	11	1.1	2950	66.4	2.5	48
	22.3	6.19	10					
	29	8.1	8.5					
SLW50-125(I)	17.5	4.86	21.5	3	2950	65.9	2.5	76
	25	6.94	20					
	32.5	9.03	18					
SLW50-125(I)A	15.6	4.33	17	2.2	2950	65.0	2.5	66
	22.3	6.19	16					
	29	8.1	13.6					
SLW50-160(I)	17.5	4.86	34.4	4	2950	61.8	2.5	85
	25	6.94	32					
	32.5	9.03	27.5					
SLW50-160(I)A	16.4	4.56	30	4	2950	60.9	2.5	84
	23.4	6.5	28					
	30.4	8.44	24					
SLW50-160(I)B	15	4.17	26	3	2950	59.9	2.5	73
	21.6	6	24					
	28	7.78	20.6					
SLW50-200(I)	17.5	4.86	52.7	7.5	2950	56.4	2.5	146
	25	6.94	50					
	32.5	9.03	45.5					
SLW50-200(I)A	16.4	4.56	46.4	7.5	2950	55.5	2.5	144
	23.5	6.53	44					
	30.5	8.47	40					
SLW50-200(I)B	15	4.2	40	5.5	2950	54.5	2.5	136
	22	6.06	38					
	28	7.78	34					
SLW50-250(I)	18	5	82	15	2950	50.1	2.5	200
	25	6.94	80					
	33	9.17	76.2					
SLW50-250(I)A	16	4.44	71.5	15	2950	49.1	2.5	185
	23	6.4	70					
	31	8.61	67					
SLW50-250(I)B	15	4.17	61	11	2950	48.2	2.5	135
	22	6.06	60					
	28	7.78	57.4					
SLW50-315(I)	18	5	128	30	2950	42.1	2.5	330
	25	6.94	125					
	33	9.17	122					
SLW50-315(I)A	17	4.72	115	30	2950	41.1	2.5	270
	24	6.67	113					
	31	8.61	112					
SLW50-315(I)B	16	4.44	103	22	2950	40.2	2.5	230
	23	6.39	101					
	29	8.06	98					
SLW65-100	17.5	4.86	13.7	1.5	2950	67.4	2.5	54
	25	6.94	12.5					
	32.5	9.03	10.5					
SLW65-100A	15.6	4.33	11	1.1	2950	66.4	2.5	48
	22.3	6.19	10					
	29	8.1	8.4					

Type	Capacity		Head (m)	Power (kW)	Speed (r/min)	Eff. η (%)	(NPSH) <sub>r</sub> (m)	Weight (Kg)
	(m³/h)	(L/s)						
SLW65-125	17.5	4.86	21.5	3	2950	65.9	2.5	68
	25	6.94	20					
	32.5	9.03	18					
SLW65-125A	15.6	4.33	17	2.2	2950	65.0	2.5	58
	22.3	6.19	16					
	29	8.1	14.4					
SLW65-160	17.5	4.86	34.4	4	2950	61.8	2.5	85
	25	6.94	32					
	32.5	9.03	27.5					
SLW65-160A	16.4	4.56	30	4	2950	60.9	2.5	72
	23.4	6.5	28					
	30.4	8.44	24					
SLW65-160B	15	4.17	26	3	2950	59.9	2.5	60
	21.6	6	24					
	28	7.78	20.6					
SLW65-200	17.5	4.86	52.7	7.5	2950	56.4	2.5	116
	25	6.94	50					
	32.5	9.03	42.5					
SLW65-200A	16.4	4.56	46.4	7.5	2950	55.5	2.5	106
	23.5	6.53	44					
	30.5	8.47	40					
SLW65-200B	15.2	4.22	40	5.5	2950	54.5	2.5	105
	21.8	6.06	38					
	28.3	7.86	34.5					
SLW65-250	17.5	4.86	82	15	2950	50.1	2.5	192
	25	6.94	80					
	32.5	9.03	76.5					
SLW65-250A	16.4	4.56	71.5	15	2950	49.1	2.5	180
	23.4	6.5	70					
	30.5	8.47	67					
SLW65-250B	15	4.17	61	11	2950	48.2	2.5	130
	21.6	6	60					
	28	7.78	57.4					
SLW65-315	17.5	4.86	127	30	2950	42.1	2.5	340
	25	6.94	125					
	32.5	9.03	122					
SLW65-315A	16.6	4.6	115	30	2950	41.1	2.5	325
	23.7	6.58	113					
	31	8.6	110					
SLW65-315B	15.7	4.36	103	22	2950	40.2	2.5	255
	22.5	6.25	101					
	29.2	8.1	98					
SLW65-100(I)	35	9.72	13.8	3	2950	71.1	3	74
	50	13.9	12.5					
	65	18.1	10					
SLW65-100(I)A	31	8.6	11	2.2	2950	70.1	3	64
	45	12.5	10					
	58	16.1	8					
SLW65-125(I)	35	9.72	22	5.5	2950	71.2	3	116
	50	13.9	20					
	65	18.1	17					
SLW65-125(I)A	31.3	8.7	17.5	4	2950	70.2	3	95
	45	12.5	16					
	58	16.1	13.6					
SLW65-160(I)	35	9.72	35	7.5	2950	69.6	3	118
	50	13.9	32					
	65	18.1	28					
SLW65-160(I)A	32.7	9.1	30.6	7.5	2950	68.7	3	108
	47	13	28					
	61	16.9	24					
SLW65-160(I)B	30.3	8.4	26	5.5	2950	67.7	3	88
	43.3	12	24					
	56.3	15.6	21					
SLW65-200(I)	35	9.72	53.5	15	2950	65.8	3	190
	50	13.9	50					
	65	18.1	46					
SLW65-200(I)A	32.8	9.1	47	11	2950	64.9	3	176
	47	13.1	44					
	61	16.9	40					
SLW65-250(I)	30.5	8.5	40.6	11	2950	63.9	3	126
	43.5	12.1	38					
	56.6	15.7	33.4					
SLW65-250(I)A	35	9.72	83	22	2950	60.1	3	260
	50	13.9	80					
	65	18.1	72					
SLW65-250(I)B	32.5	9	73	18.5	2950	59.2	3	220
	46.7	13	70					
	61	16.9	63					
SLW65-315(I)	35	9.72	128	45	2950	54.1	3	380
	50	13.9	125					
	65	18.1	122					
SLW65-315A	32.5	9	112	37	2950	53.1	3	376
	46.5	12.9	110					
	60.5	16.8	107					
SLW65-315B	31	8.6	102	30	2950	52.2	3	358
	44.5	12.4	100					
	58	16.1	98					

**TTABC-SLW type pump performance**

Type	Capacity		Head (m)	Power (kW)	Speed (r/min)	Eff. η (%)	(NPSH) <sub>r</sub> (m)	Weight (Kg)
	(m³/h)	(L/s)						
SLW65-200(I)B	30.5	8.5	40.6	11	2950	63.9	3	130
	43.5	12.1	36					
	56.3	15.7	33.4					
SLW65-250(I)	35	9.75	83	22	2950	60.1	3	260
	50	13.9	80					
	65	18.1	72					
SLW65-250(I)A	32.5	9	73	18.5	2950	59.2	3	218
	46.7	13	70					
	61	16.9	63					
SLW65-250(I)B	30	8.3	62	15	2950	58.2	3	198
	43.3	12	60					
	56	15.6	54					
SLW65-315(I)	35	9.72	128	45	2950	54.1	3	375
	50	13.9	125					
	65	18.1	122					
SLW65-315(I)A	33	9	112	37	2950	53.1	3	370
	47	12.9	110					
	61	16.8	107					
SLW65-315(I)B	31	8.6	102	30	2950	52.2	3	350
	45	12.4	100					
	58	16.1	98					
SLW80-100	35	9.72	13.8	3	2950	71.1	3	74
	50	13.9	12.5					
	65	18.1	10					
SLW80-100A	31.3	8.7	11	2.2	2950	70.1	3	64
	44.7	12.4	10					
	58	16.1	8					
SLW80-125	35	9.72	22	5.5	2950	71.2	3	110
	50	13.9	20					
	65	18.1	17					
SLW80-125A	31.3	8.7	17.5	4	2950	70.2	3	90
	45	12.4						

## TTABC-Series of Horizontal Centrifugal Pump

## TTABC-SLW type pump performance

Type	Capacity		Head (m)	Power (kW)	Speed (r/min)	Eff. (%)	(NPSH)r (m)	Weight (Kg)
	(m <sup>3</sup> /h)	(L/s)						
SLW100-125	70 100 130	19.4 27.8 36.1	23.5 20 14	11	2950	74.0	4.5	174
SLW100-125A	62.5 89 116	17.4 24.7 32.2	19 16 11	7.5	2950	73.1	4.5	125
SLW100-160	70 100 130	19.4 27.8 36.1	36.5 32 24	15	2950	74.1	4.5	185
SLW100-160A	65.4 93.5 121	18.2 26 33.8	32 28 21	11	2950	73.2	4.5	175
SLW100-160B	60.6 86.6 112	16.8 24.1 31.3	27 24 18	11	2950	72.2	4.5	125
SLW100-200	70 100 130	19.4 27.8 36.1	54 50 42	22	2950	72.8	4	250
SLW100-200A	65.4 93.5 121	18.2 26 33.8	47.5 44 37	18.5	2950	71.8	4	210
SLW100-200B	61 87 113	16.9 24.2 31.4	41 38 32	15	2950	70.9	4	188
SLW100-250	70 100 130	19.4 27.8 36.1	87 80 68	37	2950	68.7	4	350
SLW100-250A	65.4 93.5 121	18.2 26 33.8	76 70 59.5	30	2950	67.7	4	330
SLW100-250B	61 87 113	16.9 24.2 31.4	65 60 51	30	2950	66.8	4	270
SLW100-315	70 100 130	19.4 27.8 36.1	132 125 114	75	2950	63.3	4	680
SLW100-315A	66.5 95 123	18.5 26.4 34.3	119 113 103	55	2950	62.3	4	540
SLW100-315B	63 90 117	17.5 25 32.5	106 101 92	55	2950	61.4	4	440
SLW100-350	70 100 130	19.4 27.8 36.1	156 150 138	90	2950	61.0	4	740
SLW100-350A	64 88 113	17.8 24.4 31.4	148 142 134	75	2950	60.0	4	650
SLW100-350B	56 80 104	15.6 22.2 28.9	140 135 125	75	2950	59.1	4	510
SLW125-100	112 160 192	31.1 44.4 53.3	14 12.5 10	7.5	2950	76.0	4	207
SLW125-100A	100 143 172	27.8 39.7 47.8	12 10 8.5	7.5	2950	75.1	4	155
SLW125-125	112 160 192	31.1 44.4 53.3	22.6 20 17	15	2950	75.1	4	220
SLW125-125A	100 143 172	27.8 39.7 47.8	18 16 13.6	11	2950	74.1	4	210
SLW125-160	96 160 192	26.7 44.4 53.3	36 32 28	22	2950	76.0	4	275
SLW125-160A	90 150 180	25 41.7 50	31.5 28 24.5	18.5	2950	75.1	4	235

Type	Capacity		Head (m)	Power (kW)	Speed (r/min)	Eff. (%)	(NPSH)r (m)	Weight (Kg)
	(m <sup>3</sup> /h)	(L/s)						
SLW125-160B	83 138 166	23.1 38.3 46.1	27 24 21	15	2950	74.1	4	215
SLW125-200	96 160 192	26.7 44.4 53.3	55 50 46	37	2950	76.0	4	368
SLW125-200A	90 150 180	25 41.7 50	48.4 44 40.5	30	2950	75.1	4	348
SLW125-200B	83 138 166	23.1 38.3 46.1	41.3 37.5 34.5	22	2950	74.1	4	288
SLW125-250	96 160 192	26.7 44.4 53.3	87 80 73	55	2950	73.7	4	535
SLW125-250A	90 150 180	25 41.7 50	76 70 64	45	2950	72.8	4	435
SLW125-250B	83 138 166	23.1 38.3 46.1	65 60 55	37	2950	71.7	4	385
SLW125-315	96 160 192	26.7 44.4 53.3	133 125 119	90	2950	69.1	4	720
SLW125-315A	90 150 180	25 41.7 50	117 110 104	75	2950	68.0	4	620
SLW125-315B	86 143 172	23.9 39.7 47.8	106 100 95.2	75	2950	67.0	4	615
SLW150-125	112 160 192	31.1 44.4 53.3	22.8 20 17	15	2950	75.1	4	225
SLW150-125A	105 150 180	29.2 41.7 50	18.5 16 13.6	11	2950	74.1	4	215
SLW150-160	112 160 192	31.1 44.4 53.3	35 32 28	22	2950	76.0	4	280
SLW150-160A	105 150 180	29.2 41.7 50	31.5 28 24.5	18.5	2950	75.1	4	240
SLW150-160B	98 140 168	27.2 38.9 46.7	27 24 21	15	2950	74.1	4	220
SLW150-200	140 200 260	38.9 55.6 72.2	13.8 12.5 10.6	15	1480	76.8	3	265
SLW150-200A	125 179 232	34.7 49.7 64.6	11.5 10 8.5	11	1480	75.8	3	250
SLW150-200B	111.7 160 207.4	31 44.4 57.6	9.2 8 6.8	7.5	1480	74.9	3	235
SLW150-250	140 200 260	38.9 55.6 72.2	21.8 20 17	18.5	1480	76.8	3	338
SLW150-250A	129 184 240	35.8 51.1 66.7	18.5 17 14.4	15	1480	75.8	3	300
SLW150-250B	117 167 217	32.5 46.4 60.4	15.2 14 12	11	1480	74.9	3	280
SLW150-250(I)	120 200 240	33.3 55.6 66.7	87 80 72	75	2950	75.3	4.5	725
SLW150-250(I)A	112 187 224	31.1 51.9 62.2	76 70 63	55	2950	74.4	4.5	585

## TTABC-SLW type pump performance

Type	Capacity		Head (m)	Power (kW)	Speed (r/min)	Eff. (%)	(NPSH)r (m)	Weight (Kg)
	(m <sup>3</sup> /h)	(L/s)						
SLW150-250(I)B	104 173 208	26.9 48.1 57.8	65 60 54	45	2950	73.4	4.5	485
SLW150-315	140 200 260	38.9 55.6 72.2	33.8 32 28	30	1480	75.1	3.5	440
SLW150-315A	131 187 243	36.4 51.9 67.5	29.5 28 24.5	22	1480	74.2	3.5	360
SLW150-315B	121 173 225	33.6 48.1 62.3	25 24 21	18.5	1480	73.2	3.5	350
SLW150-315(I)	120 200 240	33.3 55.6 66.7	133 125 120	110	2950	71.5	4.5	980
SLW150-315(I)A	112 187 224	31.1 51.9 62.2	116 110 105	90	2950	70.6	4.5	730
SLW150-315(I)B	104 173 208	28.9 48.1 57.8	100 95 91	75	2950	69.6	4.5	710
SLW150-350	112 160 192	31.1 44.4 53.3	160 150 138	110	2950	66.9	4.5	990
SLW150-350A	105 150 180	29.2 41.7 50	152 142 130	110	2950	65.9	4.5	740
SLW150-350B	98 140 168	27.2 38.9 46.7	110 101 90	75	2950	65.0	4.5	720
SLW150-400	140 200 260	38.9 55.6 72.2	53 44 40	45	1480	71.4	3.5	520
SLW150-400A	131 187 243	36.4 51.9 67.5	46.6 44 38.3	37	1480	70.5	3.5	480
SLW150-400B	122 174 226	33.9 48.3 62.9	40 38 33	30	1480	69.5	3.5	470
SLW150-400C	112 160 200	31.1 44.4 55.5	34 32 28	22	1480	68.6	3.5	390
SLW150-500	140 200 240	38.9 55.6 66.7	85 80 75	75	1480	65.7	4	680
SLW150-500A	131 187 224	36.4 51.9 62.3	74 70 65	75	1480	64.8	4	680
SLW150-500B	121 173 208	33.6 48.1 57.7	64 60 55.5	55	1480	63.8	4	630
SLW200-200	140 200 260	38.9 55.6 72.2	13.8 12.5 10.6	15	1480	76.8	3	385
SLW200-200A	125 179 232	34.7 49.7 64.6	11 10 8.5	11	1480	75.5	3	365
SLW200-250	140 200 260	38.9 55.6 72.2	21.8 20 17	18.5	1480	76.8	3	420
SLW200-250A	129 184 240	35.8 51.1 66.7	18.5 17 14.4	15	1480	75.8	3	385
SLW200-250B	117 167 217	32.5 46.4 60.4	15.2 14 12	11	1480	74.9	3	385
SLW200-250B	117 167 217	32.5 46.4 60.4	15.2 14 12	11	1480	74.9	3	365
SLW200-315	140 200 260	38.9 55.6 72.2	33.8 32 28	30	1480	75.3	3.5	550

Type	Capacity		Head (m)	Power (kW)	Speed (r/min)	Eff. (%)	(NPSH)r (m)	Weight (Kg)
	(m <sup>3</sup> /h)	(L/s)						
SLW200-315A	131 187 243	36.4 51.9 67.5	29.5 28 24.5	22	1480	74.4	3.5	460
SLW200-315B	121 173 225	33.6 48.1 62.5	25.5 24 20.5	18.5	1480	73.4	3.5	440
SLW200-400	140 200 260	38.9 55.6 72.2	53 50 46	45	1480	71.4	3.5	590
SLW200-400A	131 187 243	36.4 51.9 67.5	46.6 44 38.3	37	1480	70.5	3.5	550
SLW200-400B	122 174 226	33.9 48.3 62.9	40 38 33	30	1480	69.5	3.5	520
SLW200-400C	112 160 208	31.3 44.4 57.8	34 32 28	22	1480	68.6	3.5	490
SLW200-200G	210 300 360	58.3 83.3 100	13.4 12.5 10.5	18.5	1480	77.0	4	380
SLW200-200GA	196 280 336	54.4 77.8 93.3	10.3 10 8.5	15	1480	76.1	4	346
SLW200-250G	210 300 360	58.3 83.3 100	22.2 20 18	22	1480	77.9	4	405
SLW200-250GA	196 280 336	54.4 77.8 93.3	14 16 11.2	18.5	1480	77.0	4	380
SLW200-250GB	182 262 312	50.6 72.8 86.7	14.6 13 9	15	1480	76.0	4	346
SLW200-315G	210 300 360	58.3 83.3 100	36 32 26	45	1480	77.6	4	600
SLW200-315GA	196 280 336	54.4 77.8 93.3	31.5 28 23	37	1480	76.7	4	560
SLW200-315GB	182 262 312	50.6 72.8 86.7	27 24 19.5	30	1480	75.7	4	505
SLW200-400G	210 300 360	58.3 83.3 100	54.5 50 39	75	1480	75.3	4	800
SLW200-400GA	196 280 336	54.4 77.8 93.3	48 44 34	55	1480	74.4	4	708
SLW200-400GB	182 262 312	50.6 72.8 86.7	41.4 38 29.6	45	1480	73.4	4	600
SLW200-400GC	171 245 294	47.5 68.1 81.7	34.9 32 25	37	1480	72.5	4	600
SLW200-500G	210 300 360	58.3 83.3 100	85 73 73	110	1480	70.2	4.5	1230
SLW200-500GA	196 280 336	54.4 77.8 93.3	74 70 64	90	1480	69.3	4.5	906
SLW200-500GB	182 262 312	50.6 72.8 86.7	64 60 54	75	1480	68.3	4.5	816
SLW200-500GC	171 245 294	47.5 68.1 81.7	56 52 48	55	1480	67.4	4.5	780
SLW200-200(I)	280 400 520	77.8 111 144	13.4 12.5 10.5	22	1480	76.9	4	430





TTABC-Series of Horizontal Centrifugal Pump

TTABC-SLW type pump performance

Type	Capacity		Head (m)	Power (kW)	Speed (r/min)	Eff. (%)	(NPSH) <sub>r</sub> (m)	Weight (Kg)
	(m³/h)	(L/s)						
SLW200-200(I)A	250 358 465	69.4 99.4 129	11.2 10 8.5	18.5	1480	75.9	4	415
SLW200-250(I)	280 400 520	77.8 111 144	22.2 20 14	30	1480	78.9	4	500
SLW200-250(I)A	250 358 465	69.4 99.4 129	18 16 11.2	22	1480	77.9	4	410
SLW200-250(I)B	226 322 419	62.8 89.4 116	14.4 13 9.3	18.5	1480	77.0	4	400
SLW200-315(I)	280 400 520	77.8 111 144	36 32 26	55	1480	78.9	4	720
SLW200-315(I)A	262 374 486	72.8 103 135	31.5 28 23	45	1480	77.9	4	620
SLW200-315(I)B	242 346 450	67.2 96.1 125	27 24 19.5	37	1480	77.0	4	570
SLW200-400(I)	280 400 520	77.8 111 144	54.5 50 39	90	1480	77.5	4	960
SLW200-400(I)A	262 374 486	72.8 103 135	48 44 34	75	1480	76.6	4	850
SLW200-400(I)B	242 346 450	67.2 96.1 125	41.4 38 29.6	55	1480	75.6	5	710
SLW200-400(I)C	224 320 416	62.2 88.9 115	34.9 32 25	45	1480	74.7	5	605
SLW200-500(I)	280 400 520	77.8 111.1 144.4	85 80 70	132	1480	73.4	4	1250
SLW200-500(I)A	262 374 486	72.8 103.9 135	74.4 70 61.2	110	1480	72.5	4	1160
SLW200-500(I)B	242 346 450	67.2 96.1 125	63.8 60 52.5	90	1480	71.5	4	1050
SLW200-500(I)C	224 320 416	62.2 88.9 115	53.2 50 43.8	75	1480	70.6	4	906
SLW250-250	105 150 180	29.2 41.7 50	21.8 20 18.1	15	1480	75.6	4.5	599
SLW250-250(I)	400 550 670	111 153 186	22 20 16	45	1480	79.3	5.5	740
SLW250-250(I)A	350 500 600	97.2 138 166.7	19 17 14.5	37	1480	78.4	5.5	700
SLW250-235	350 500 600	97.2 138 166.7	14 12.5 10	22	1480	76.6	5.5	600
SLW250-300	350 500 600	97.2 138 166.7	22 20 17.5	37	1480	79.4	5.5	735
SLW250-315	350 500 600	97.2 138 166.7	35 32 27	75	1480	79.5	5.5	1050
SLW250-315A	350 500 600	97.2 138 166.7	31.5 28 23	55	1480	78.6	5.5	950
SLW250-315B	350 500 600	97.2 138 166.7	26.5 24 20	45	1480	77.6	5.5	850

Type	Capacity		Head (m)	Power (kW)	Speed (r/min)	Eff. (%)	(NPSH) <sub>r</sub> (m)	Weight (Kg)
	(m³/h)	(L/s)						
SLW250-400A	250 470 564	69.4 130.6 156.7	47.5 44 36.5	90	1480	78.9	5.5	1050
SLW250-400	350 500 600	97.2 138 166.7	54 50 41.5	90	1480	78.0	5.5	1160
SLW250-400B	232 437 524	64.4 121.4 145.6	64.4 38 31.5	75	1480	77.0	5.5	960
SLW250-500	385 550 660	106.9 152.8 183.3	87 80 68	160	1480	76.6	5.5	1250
SLW250-500A	357 510 612	99.2 141.7 170	76.1 70 59.5	132	1480	75.6	5.5	1160
SLW250-500B	329 470 564	91.4 130.6 156.7	65.2 60 51	110	1480	74.7	5.5	1050
SLW250-500C	301 430 516	83.6 119.4 143.3	54.3 50 42.5	90	1480	73.7	5.5	940
SLW300-235	540 720 900	150 200 250	20.5 18 15	55	1480	78.4	5	1030
SLW300-235A	450 600 720	125 166 200	17.2 15 12.5	45	1480	77.4	5	970
SLW300-235B	420 540 650	116.7 150 181	14.3 12.8 10.5	37	1480	76.5	5	925
SLW300-250	540 720 900	150 200 250	22.5 20 17	55	1480	79.0	6	1030
SLW300-250A	450 600 720	125 166 200	19.5 17 14	45	1480	78.1	6	980
SLW300-300	540 720 900	150 200 250	32 28 23	75	1480	80.5	5	1080
SLW300-300A	450 600 720	125 166 200	27.5 24 20	55	1480	79.5	5	1035
SLW300-300B	420 540 650	116.7 150 181	24 21 17	45	1480	78.6	5	982
SLW300-315	540 720 900	150 200 250	35 32 26	90	1480	80.5	4.5	1200
SLW300-315A	460 650 800	127.8 180 222	31.5 28 23.5	75	1480	79.5	4.5	1105
SLW300-315B	420 580 700	116.7 161 194	27 24 20	55	1480	78.6	4.5	1000
SLW300-400	450 600 720	125 166 200	55 50 42.5	110	1480	79.8	5	1325
SLW300-400A	420 540 650	116.7 150 181	45 40 35	90	1480	78.9	5	1255
SLW300-450	500 720 860	139 200 239	54 50 42	132	1480	80.5	5.5	1700
SLW300-450A	460 660 790	128 183 219	47 44 36	110	1480	79.5	5.5	1600
SLW300-450B	420 600 720	117 167 200	41 38 32	90	1480	78.6	5.5	1250
SLW300-450C	390 560 670	108 155 186	35 32 27	75	1480	77.6	5.5	1150

TTABC-SLW type pump performance

Type	Capacity		Head (m)	Power (kW)	Speed (r/min)	Eff. (%)	(NPSH) <sub>r</sub> (m)	Weight (Kg)
	(m³/h)	(L/s)						
SLW300-500	540 720 900	150 200 250	85 80 70	250	1480	78.6	5.5	1685
SLW300-500A	506 675 844	140.6 187.5 234.4	74.4 70 61.2	200	1480	77.6	5.5	1565
SLW300-500B	468 625 780	130 173.6 216.7	63.8 60 52.5	160	1480	76.7	5.5	1472
SLW300-500C	425 570 710	118 158.3 197.2	53.2 50 43.8	110	1480	75.7	5.5	1345
SLW350-235	600 800 960	167 222 267	14 12.5 10.5	37	1480	80.8	4.5	975
SLW350-300	600 800 960	167 222 267	22.5 20 17.5	75	1480	78.9	4.5	1190
SLW350-315	600 800 960	167 222 267	35.5 32 28.5	90	1480	80.8	4.5	1499
SLW350-400	600 800 960	167 222 267	55 50 45.5	160	1480	80.8	4.5	1775
SLW350-450	900 1200 1400	250 333.3 389	23 20 16	90	980	81.4	6	1300
SLW350-450A	850 1120 1300	236.1 311.1 361.1	20 17 13	75	980	80.5	6	1200
SLW350-500	800 1000 1200	222.2 277.8 333.3	85 80 72	315	1480	80.7	4.5	2650
SLW350-525	900 1200 1400	250 333.3 389	35 32 25	160	980	81.7	6	1850
SLW350-525A	850 1120 1300	236.1 311.1 361.1	31 28 23	132	980	80.8	6	1740
SLW350-525B	780 1050 1200	216.7 291.7 333.3	27 24 19	110	980	79.8	6	1650
SLW350-600	900 1200 1400	250 333.3 389	53 50 44	250	980	81.1	6.5	2750
SLW350-600A	850 1120 1300	236.1 311.1 361.1	46 44 36	200	980	80.2	6.5	2500
SLW350-600B	780 1050 1200	216.7 291.7 333.3	40 38 33	160	980	79.2	6.5	2450
SLW350-315G	672 960 1152	186.7 266.7 320	35.5 32 28.5	132	1480	81.1	4.5	1740
SLW350-315GA	600 860 1030	167 239 287	30 28 23	110	1480	80.2	6.5	1600
SLW350-315GB	575 820 985	159 228 273	26 24 19	90	1480	79.2	6.5	1250
SLW350-400G	670 960 1150	186 267 320	53 50 40	200	1480	81.1	7.0	2500
SLW350-400GA	600 860 1030	167 239 287	46 44 38	160	1480	80.2	7.0	2450
SLW350-400GB	575 820 985	159 228 273	40 38 32	132	1480	79.2	7.0	2350
SLW350-450G	670 960 1150	186 267 320	22 20 16	75	980	81.1	6.0	1250
SLW350-450GA	575 820 985	159 228 273	19 17 14	55	980	80.2	6.0	950

Type	Capacity		Head (m)	Power (kW)	Speed (r/min)	Eff. (%)	(NPSH) <sub>r</sub> (m)	Weight (Kg)
	(m³/h)	(L/s)						
SLW350-525G	670 960 1150	186 267 320	35 32 26	132	980	81.1	6.0	1850
SLW350-525GA	600 860 1030	167 239 287	30 28 23	110	980	80.2	6.0	1700
SLW350-525GB	575 820 985	159 228 273	26 24 19	90	980	79.3	6.0	1550
SLW350-620G	670 960 1150	186 267 320	53 50 44	200	980	80.1	7.0	2700
SLW350-620GA	600 860 1030	167 239 287	46 44 38	160	980	79.1	6.5	2600
SLW350-620GB	575 820 985	159 228 273	40 38 32	132	980	78.2	6.5	2200
SLW350-315(I)	900 1200 1400	250 333 400	35 32 26	160	1480	80.9	6.5	1800
SLW350-315(I)A	820 1100 1300	228 305 361	30 28 23	132	1480	80.1	6.5	1750
SLW350-315(I)B	750 1000 1200	208 278 333	26 24 19	110	1480	79.0	6.5	1600
SLW350-400(I)	900 1200 1400	250 333 400	53 50 44	250	1480	81.7	7.5	2500
SLW350-400(I)A	820 1100 1300	228 305 361	46 44 38	200	1480	80.8	7.0	2450
SLW350-400(I)B	750 1000 1200	208 278 333	26 24 19	160	1480	79.8	7.0	2350
SLW400-300	820 1080 1300	228 300 361	23 20 16	90	1480	78.2	6	1450
SLW400-315	820 1080 1300	228 300 361	36.5 32 27	132	1480	81.1	6	1740
SLW400-450	1500 2000 2400	416.7 555.6 666.7	23 20 15	160	980	80.6	6.5	2420
SLW400-450A	1400 1860 2250	388.9 516.7 625	20 17 14	132	980	79.3	6.5	1940
SLW400-500	1500 2000 2400	416.7 555.6 666.7	34 32 27	250	980	82.8	6.5	2980
SLW400-500A	1400 1860 2240	388.9 516.7 625	30 28 24	200	980	81.9	6.5	2840
SLW400-500B	1300 1750 2100	361.1 486.4 583.3	24 24 21	160	980	80.9	6.5	2710
SLW400-600	1500 2000 2400	416.7 555.6 666.7	53 50 42	355	980	82.8	6.5	3420
SLW400-600A	1400 1860 2250	388.9 516.7 625	46 44 37	315	980	81.9	6.5	3380
SLW400-600B	1300 1750 2100	361.1 486.4 583.3	40 38 32	250	980	80.9	6.5	3270
SLW400-600C	1050 1400 1650	291.7 388.9 458.3	38 35 31	200	980	80.0	6.5	2920
SLW500-300	1000 1200 1450	277.8 333 403	23 20 16	110	1480	81.7	6	1800
SLW500-315	1000 1200 1450	277.8 333 403	34.5 32 27	160	1480	80.9	6	2070</



TTABC-Series of Horizontal Centrifugal Pump

TTABC-SLWD type pump performance

Type	Capacity		Head (m)	Power (kW)	Speed (r/min)	Eff. (%)	(NPSH) <sub>r</sub> (m)	Weight (Kg)
	(m <sup>3</sup> /h)	(L/s)						
SLWD40-160	2.2	0.61	8.3	0.37	1480	32.9	2.3	44
	3.2	0.89	8					
	4.2	1.17	7.5					
SLWD40-200	2.2	0.61	12.8	0.75	1480	25.0	2.3	53
	3.2	0.89	12.5					
	4.2	1.17	12					
SLWD40-250	2.2	0.61	20.5	1.1	1480	14.6	2.3	76
	3.2	0.89	20					
	4.2	1.17	18.5					
SLWD40-250A	2.0	0.56	18	0.75	1480	13.7	2.3	67
	3.0	0.83	17.5					
	3.9	1.08	16.3					
SLWD40-250B	1.9	0.53	15.4	0.55	1480	12.7	2.3	57
	2.8	0.78	15					
	3.5	0.97	14					
SLWD40-125(I)	4.4	1.2	5.3	0.25	1480	51.7	2.3	43
	6.3	1.75	5.0					
	8.2	2.3	4.5					
SLWD40-160(I)	4.4	1.2	8.3	0.55	1480	46.0	2.3	52
	6.3	1.75	8.0					
	8.2	2.3	7.5					
SLWD40-200(I)	4.4	1.2	12.8	0.75	1480	39.9	2.3	62
	6.3	1.75	12.5					
	8.2	2.3	12					
SLWD40-250(I)	4.4	1.2	20.3	1.5	1480	31.5	2.3	86
	6.3	1.75	20					
	8.2	2.3	19.4					
SLWD40-250(I)A	4.1	1.1	17.8	1.1	1480	30.6	2.3	76
	5.8	1.6	17.5					
	7.6	2.1	17					
SLWD40-250(I)B	3.8	1.1	15.4	1.1	1480	29.6	2.3	67
	5.4	1.5	15					
	7	1.9	14.5					
SLWD50-125	4.4	1.2	5.3	0.25	1480	51.7	2.3	43
	6.3	1.75	5					
	8.2	2.3	4.5					
SLWD50-160	4.4	1.2	8.3	0.55	1480	46.0	2.3	52
	6.3	1.75	8					
	8.2	2.3	7.5					
SLWD50-200	4.4	1.2	13	0.75	1480	39.9	2.3	62
	6.3	1.75	12.5					
	8.2	2.3	12					
SLWD50-250	4.4	1.2	20.5	1.5	1480	31.5	2.3	86
	6.3	1.75	20					
	8.2	2.3	19.4					
SLWD50-250A	4.1	1.14	17.9	1.1	1480	30.6	2.3	76
	5.8	1.61	17.5					
	7.6	2.11	17					
SLWD50-250B	3.8	1.06	15.4	1.1	1480	29.6	2.3	67
	5.4	1.5	15					
	7	1.94	14.5					
SLWD50-125(I)	8.75	2.4	5.38	0.55	1480	61.2	2.5	52
	12.5	3.5	5					
	16.3	4.5	4.5					
SLWD50-160(I)	8.75	2.4	8.6	0.55	1480	57.1	2.5	62
	12.5	3.5	8					
	16.3	4.5	6.88					

Type	Capacity		Head (m)	Power (kW)	Speed (r/min)	Eff. (%)	(NPSH) <sub>r</sub> (m)	Weight (Kg)
	(m <sup>3</sup> /h)	(L/s)						
SLWD50-200(I)	8.75	2.4	13.2	1.1	1480	51.7	2.5	69
	12.5	3.5	12.5					
	16.3	4.5	11.4					
SLWD50-200(I)A	8.2	2.3	11.6	1.1	1480	50.7	2.5	62
	11.8	3.3	11					
	15.3	4.3	10					
SLWD50-250(I)	8.75	2.4	20.5	2.2	1480	45.3	2.5	100
	12.5	3.5	17.5					
	16.3	4.5	19.1					
SLWD50-250(I)A	8.2	2.3	17.9	1.5	1480	44.4	2.5	90
	11.7	3.3	17.5					
	15.3	4.3	16.8					
SLWD50-250(I)B	7.5	2.1	15.3	1.5	1480	43.4	2.5	81
	10.8	3	15					
	14	3.9	14.4					
SLWD50-315(I)	8.75	2.4	32	4	1480	37.1	2.5	124
	12.5	3.5	31.5					
	16.3	4.5	30.5					
SLWD50-315(I)A	8.3	2.3	28.8	3	1480	36.2	2.5	124
	11.9	3.3	28.5					
	15.5	4.3	28					
SLWD50-315(I)B	7.85	2.2	25.8	3	1480	35.2	2.5	109
	11.3	3.1	25.5					
	14.6	4.1	24.5					
SLWD65-125	8.75	2.4	5.4	0.55	1480	61.2	2.5	52
	12.5	3.5	5					
	16.3	4.5	4.5					
SLWD65-160	8.75	2.4	8.6	0.55	1480	57.1	2.5	62
	12.5	3.5	8					
	16.3	4.5	6.88					
SLWD65-200	8.75	2.4	13.2	1.1	1480	51.7	2.5	69
	12.5	3.5	12.5					
	16.3	4.5	11.4					
SLWD65-200A	8.2	2.3	11.6	1.1	1480	50.7	2.5	62
	11.8	3.3	11					
	15.3	4.3	10					
SLWD65-250	8.75	2.4	20.5	2.2	1480	45.3	2.5	100
	12.5	3.5	20					
	16.3	4.5	19.1					
SLWD65-250A	8.2	2.3	17.9	1.5	1480	44.4	2.5	90
	11.7	3.3	17.5					
	15.3	4.3	16.8					
SLWD65-250B	7.5	2.1	15.3	1.5	1480	43.4	2.5	81
	10.8	3	15					
	14	3.9	14.4					
SLWD65-315	8.75	2.4	32	4	1480	37.1	2.5	124
	12.5	3.5	31.5					
	16.3	4.5	30.5					
SLWD65-315A	8.3	2.3	28.8	3	1480	36.2	2.5	124
	11.9	3.3	28.5					
	15.5	4.3	27.5					
SLWD65-315B	7.85	2.2	25.8	3	1480	35.2	2.5	109
	11.3	3.1	25.5					
	14.6	4	24.5					
SLWD65-125(I)	17.5	4.86	5.5	0.75	1480	67.4	3.0	67
	25	6.94	5					
	32.5	9.03	4.25					
SLWD65-160(I)	17.5	4.86	8.75	1.1	1480	65.9	3.0	74
	25	6.94	8					
	32.5	9.03	7					

TTABC-SLWD type pump performance

Type	Capacity		Head (m)	Power (kW)	Speed (r/min)	Eff. (%)	(NPSH) <sub>r</sub> (m)	Weight (Kg)
	(m <sup>3</sup> /h)	(L/s)						
SLWD65-200(I)	17.5	4.86	13.4	2.2	1480	62.0	3.0	93
	25	6.94	12.5					
	32.5	9.03	11.5					
SLWD65-200(I)A	16.4	4.56	11.8	1.5	1480	61.1	3.0	84
	23.5	6.53	11					
	30.5	8.47	10					
SLWD65-250(I)	17.5	4.86	20.8	3	1480	56.3	3.0	122
	25	6.94	20					
	32.5	9.03	18					
SLWD65-250(I)A	16.3	4.53	18.3	3	1480	55.4	3.0	119
	23.4	6.5	17.5					
	30.5	8.47	15.8					
SLWD65-250(I)B	15	4.17	15.5	2.2	1480	54.4	3.0	109
	21.7	6.03	15					
	28	7.78	13.5					
SLWD65-315(I)	15	4.17	32.5	5.5	1480	50.0	3.0	181
	25	6.94	32					
	30	8.33	31.5					
SLWD65-315(I)A	14	3.89	28	5.5	1480	49.0	3.0	177
	23	6.39	27.5					
	28	7.78	26.8					
SLWD65-315(I)B	12.1	3.36	21.5	3	1480	48.1	3.0	162
	20.2	5.61	21					
	24.3	6.75	20.6					
SLWD80-125	17.5	4.86	5.5	0.75	1480	67.4	3.0	67
	25	6.94	5					
	32.5	9.03	4.25					
SLWD80-160	17.5	4.86	8.75	1.1	1480	65.9	3.0	74
	25	6.94	8					
	32.5	9.03	7					
SLWD80-200	17.5	4.86	13.4	2.2	1480	62.0	3.0	93
	25	6.94	12.5					
	32.5	9.03	11.5					
SLWD80-200A	16.4	4.56	11.8	1.5	1480	61.1	3.0	84
	23.5	6.53	11					
	30.5	8.47	10					
SLWD80-250	17.5	4.86	20.8	3	1480	56.3	3.0	122
	25	6.94	20					
	32.5	9.03	18					
SLWD80-250A	16.3	4.53	18.3	3	1480	55.4	3.0	119
	23.4	6.5	17.5					
	30.5	8.47	15.8					
SLWD80-250B	15.5	4.31	15.5	3	1480	54.4	3.0	115
	22.3	6.19	15					
	29	8.06	13.5					
SLWD80-315	17.5	4.86	32.5	5.5	1480	50.0	3.0	181
	25	6.94	32					
	32.5	9.03	30.5					
SLWD80-315A	16.3	4.53	28	5.5	1480	49.0	3.0	181
	23.3	6.47	27.5					
	30.3	8.42	26.8					
SLWD80-315B	15.5	4.31	25.5	4	1480	48.1	3.0	162
	22.3	6.19	25					
	29	8.06	24.5					
SLWD80-125(I)	35	9.72	5.88	1.5	1480	71.1	4.5	88
	50	13.9	5					
	65	18.1	3.5					
SLWD80-160(I)	35	9.72	9.13	2.2	1480	71.1	4.5	100
	50	13.9	8					
	65	18.1	6					

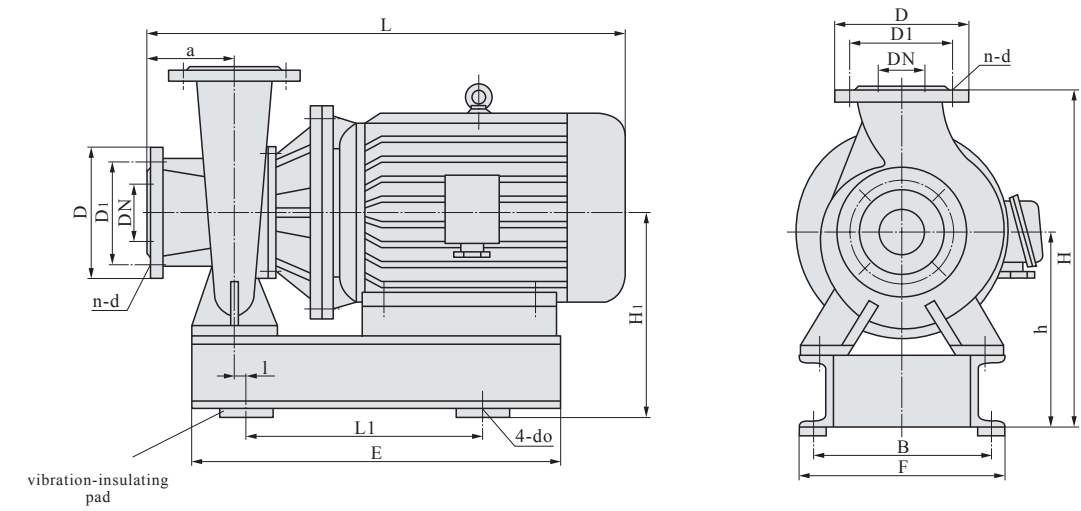
Type	Capacity		Head (m)	Power (kW)	Speed (r/min)	Eff. (%)	(NPSH) <sub>r</sub> (m)	Weight (Kg)
	(m <sup>3</sup> /h)	(L/s)						
SLWD80-160(I)A	32.7	9.08	8	1.5	1480	70.1	4.5	93
	46.8	13	7.3					
	60.5	16.8	5.3					
SLWD80-200(I)	35	9.72	13.5	3	1480	69.8	4	124
	50	13.9	12.5					
	65	18.1	10.5					
SLWD80-200(I)A	32.7	9.08	11.9					

### TTABC-SLWD type pump performance

Type	Capacity		Head (m)	Power (kW)	Speed (r/min)	Eff. $\eta$ (%)	NPSH <sub>r</sub> (m)	Weight (Kg)
	(m <sup>3</sup> /h)	(L/s)						
SLWD100-125(I)	48	13.3	5.5	2.2	1480	72.1	3	95
	80	22.2	5					
	96	26.7	4.3					
SLWD100-160(I)	48	13.3	9	3	1480	73.2	3	100
	80	22.2	8					
	96	26.7	7					
SLWD100-200(I)	48	13.3	13.8	5.5	1480	73.2	3	143
	80	22.2	12.5					
	96	26.7	11.5					
SLWD100-200(I)A	45	12.5	12	4.0	1480	72.2	3	124
	75	20.8	11					
	90	25	10					
SLWD100-250(I)	48	13.3	22	7.5	1480	70.8	2.8	181
	80	22.2	20					
	96	26.7	18.3					
SLWD100-250(I)A	45	12.5	19	7.5	1480	69.8	2.8	176
	75	20.8	17.5					
	90	25	16					
SLWD100-250(I)B	41.5	11.5	16.3	5.5	1480	78.4	2.8	166
	69	19.2	15					
	83	23	13.8					
SLWD100-315(I)	48	13.3	33.3	15	1480	65.9	2.5	280
	80	22.2	32					
	96	26.7	29.8					
SLWD100-315(I)A	45	12.5	29.3	11	1480	65.0	2.5	257
	75	20.8	27.5					
	90	25	26					
SLWD100-315(I)B	43	11.9	26.5	11	1480	64.0	2.5	252
	72	20	25					
	86	23.9	23.8					
SLWD125-160	48	13.3	9	3	1480	73.2	3	133
	80	22.2	8					
	96	26.7	7					
SLWD125-200	48	13.3	13.8	5.5	1480	73.2	3	181
	80	22.2	12.5					
	96	26.7	11.5					
SLWD125-200A	45	12.5	12.1	4	1480	72.2	3	162
	75	20.8	11					
	90	25	10.1					
SLWD125-250	48	13.3	21.8	7.5	1480	70.8	2.8	220
	80	22.2	20					
	96	26.7	18.3					
SLWD125-250A	45	12.5	19	7.5	1480	69.8	2.8	215
	75	20.8	17.5					
	90	25	16					
SLWD125-250B	41.5	11.5	16.3	5.5	1480	78.4	2.8	205
	69.0	19.2	15					
	83.0	23.1	13.8					
SLWD125-315	48	13.3	33.3	15	1480	65.9	2.5	309
	80	22.2	32					
	96	26.7	29.8					
SLWD125-315A	45	12.5	29.3	11	1480	65.0	2.5	290
	75	20.8	27.5					
	90	25	26					
SLWD125-315B	43	11.9	26.5	11	1480	64.0	2.5	285
	71.5	19.9	25					
	86	23.9	23.8					
SLWD125-125(I)	60	16.7	6.5	2.2	1480	72.2	3	100
	100	27.8	5					
	120	33.3	4					

Type	Capacity		Head (m)	Power (kW)	Speed (r/min)	Eff. $\eta$ (%)	NPSH <sub>r</sub> (m)	Weight (Kg)
	(m <sup>3</sup> /h)	(L/s)						
SLWD125-160(I)	60	16.7	10	4	1480	74.1	3	120
	100	27.8	8					
	120	33.3	7					
SLWD125-160(I)A	52	14.5	7.3	3	1480	73.2	3	109
	87	24.2	6.3					
	104	28.9	5.4					
SLWD125-200(I)	60	16.7	14	5.5	1480	74.1	3	145
	100	27.8	12.5					
	120	33.3	11					
SLWD125-200(I)A	51.7	14.4	10.8	4	1480	73.2	3	120
	86	23.9	9.3					
	103	28.6	8.2					
SLWD125-250(I)	60	16.7	21.5	11	1480	72.7	3	212
	100	27.8	20					
	120	33.3	18.5					
SLWD125-250(I)A	56	15.6	18.7	7.5	1480	71.7	3	165
	93	25.8	17.4					
	112	31.1	16					
SLWD125-250(I)B	52	14.5	16	5.5	1480	70.8	3	155
	87	24.4	15					
	104	28.9	14					
SLWD125-315(I)	60	16.7	33.5	15	1480	68.6	3	228
	100	27.8	32					
	120	33.3	30.5					
SLWD125-315(I)A	55	15.3	28	11	1480	67.6	3	214
	91	25.3	27					
	110	30.6	25.7					
SLWD125-315(I)B	47	13.1	21	7.5	1480	66.7	3	165
	79	21.9	20					
	95	26.4	18					
SLWD125-400(I)	60	16.7	52	30	1480	63.2	3	375
	100	27.8	50					
	120	33.3	48.5					
SLWD125-400(I)A	56.4	15.7	46	22	1480	62.2	3	295
	94	26.1	44					
	113	31.4	43					
SLWD125-400(I)B	52.3	14.5	39	18.5	1480	61.3	3	247
	87	24.2	38					
	105	29.2	37					
SLWD125-400(I)C	48.6	13.5	34	15	1480	60.3	3	239
	81	22.6	32.8					
	97	26.9	32					
SLWD150-250(I)	60	16.7	21.8	11	1480	72.7	4	295
	100	27.8	20					
	120	33.3	18					
SLWD150-250(I)A	56	15.6	19	7.5	1480	71.7	4	261
	93.5	26	17.5					
	112	31.1	15.8					
SLWD150-250(I)B	52	14.4	16.3	7.5	1480	70.8	4	258
	86.5	24	15					
	104	28.9	13.5					
SLWD150-315(I)	60	16.7	33.3	15	1480	68.6	4	323
	100	27.8	32					
	120	33.3	30					
SLWD150-315(I)A	56	15.6	29	15	1480	67.6	4	318
	93.5	26	27.5					
	112	31.1	26.3					
SLWD150-315(I)B	52	14.4	25	11	1480	66.7	4	299
	86.5	24	23.8					
	104	28.9	22.8					

### TTABC-SLW(SLWD) type pump dimension figure



### TTABC-SLW type pump dimension table

Type	Figure dimensions				Installing dimensions						In-outlet flange dimensions				Vibration-insulating pad	
	L	H	E	F	a	h	L <sub>1</sub>	B	l	4-do	DN	D	D <sub>1</sub>	n-d	Type	H <sub>1</sub>
25-110	402	330	335	200	85	190	260	165	0	φ12	φ25	φ115	φ85	4-φ14	SD41-0.5	210
25-125	445	330	350	200	85	190	270	165	0	φ12	φ25	φ115	φ85	4-φ14	SD41-0.5	210
25-125A	445	330	350	200	85	190	270	165	0	φ12	φ25	φ115	φ85	4-φ14	SD41-0.5	210
25-160	455	330	350	200	85	190	270	165	0	φ12	φ25	φ115	φ85	4-φ14	SD41-0.5	210
25-160A	455	330	350	200	85	190	270	165	0	φ12	φ25	φ115	φ85	4-φ14	SD41-0.5	210
32-100	407	310	320	210	90	201	220	175	0	φ12	φ32	φ140	φ100	4-φ19	SD41-0.5	225
32-125	440	331	330	210	90	201	235	175	-5	φ12	φ32	φ140	φ100	4-φ19	SD41-0.5	225
32-125A	440	331	330	210	90	201	235	175	-5	φ12	φ32	φ140	φ100	4-φ19	SD41-0.5	225
32-160	447	381	325	250	77	221	240	215	-5	φ14	φ32	φ140	φ100	4-φ19	SD41-0.5	245
32-160A	447	381	320	250	77	221	240	215	-5	φ14	φ32	φ140	φ100	4-φ19	SD41-0.5	245
32-200	516	421	400	250	85	251	260	215	25	φ14	φ32	φ140	φ100	4-φ19	SD41-0.5	275
32-200A	486	421	370	250	85	251	225	215	10	φ14	φ32	φ140	φ100	4-φ19	SD41-0.5	275
40-100	435	321	330	205	80	191	200	170	10	φ14	φ40	φ150	φ110	4-φ19	SD41-0.5	215
40-100A	435	321	330	205	80	191	200	170	10	φ14	φ40	φ150	φ110	4-φ19	SD41-0.5	215
40-125	437	336	330	205	80	201	200	170	15	φ14	φ40	φ150	φ110	4-φ19	SD41-0.5	225
40-125A	437	336	330	205	80	201	200	170	15	φ14	φ40	φ150	φ110	4-φ19	SD41-0.5	225
40-160	477	381	365	250	80	221	240	215	10	φ14	φ40	φ150	φ110	4-φ19	SD61-0.5	245
40-160A	452	381	340	250	80	221	240	215	0	φ14	φ40	φ150	φ110	4-φ19	SD61-0.5	245
40-160B	437	381	335	250	80	221	240	215	0	φ14	φ40	φ150	φ110	4-φ19	SD61-0.5	245
40-200	545	421	410	250	85	251	260	215	20	φ14	φ40	φ150	φ110	4-φ19	SD61-0.5	275
40-200A	545	421	410	250	85	251	260	215	20	φ14	φ40	φ150	φ110	4-φ19	SD61-0.5	275
40-200B	525	421	410	250	85	251	260	215	25	φ14	φ40	φ150	φ110	4-φ19	SD61-0.5	275
40-250	610	491	455	330	90	291	300	295	10	φ14	φ40	φ150	φ110	4-φ19	SD61-0.5	315
40-250A	610	491	455	330	90	291	300	295	10	φ14	φ40	φ150	φ110	4-φ19	SD61-0.5	315
40-250B	610	491	455	330	90	291	300	295	10	φ14	φ40	φ150	φ110	4-φ19	SD61-0.5	315
40-100(I)	442	331	330	190	80	191	200	160	10	φ18	φ40	φ150	φ110	4-φ19	SD41-0.5	215



TTABC-type pump dimension table

Type	Figure dimensions				Installing dimensions						In-outlet flange dimensions				Vibration-insulating pad	
	L	H	E	F	a	h	L <sub>1</sub>	B	I	4-do	DN	D	D <sub>1</sub>	n-d	Type	H <sub>1</sub>
40-100(I)A	442	331	330	190	80	191	200	160	10	φ 18	φ 40	φ 150	φ 110	4-φ 19	SD41-0.5	215
40-125(I)	452	351	340	195	80	206	200	165	15	φ 18	φ 40	φ 150	φ 110	4-φ 19	SD41-0.5	230
40-125(I)A	442	351	335	195	80	206	200	165	15	φ 18	φ 40	φ 150	φ 110	4-φ 19	SD41-0.5	230
40-160(I)	532	381	405	245	90	221	260	215	15	φ 18	φ 40	φ 150	φ 110	4-φ 19	SD41-0.5	245
40-160(I)A	497	381	385	245	90	221	240	215	15	φ 18	φ 40	φ 150	φ 110	4-φ 19	SD41-0.5	245
40-160(I)B	497	381	385	245	90	221	240	215	15	φ 18	φ 40	φ 150	φ 110	4-φ 19	SD41-0.5	245
40-200(I)	595	441	435	280	80	261	280	245	25	φ 18	φ 40	φ 150	φ 110	4-φ 19	SD41-0.5	295
40-200(I)A	540	441	415	255	80	261	260	215	20	φ 18	φ 40	φ 150	φ 110	4-φ 19	SD41-0.5	275
40-200(I)B	520	441	405	255	80	261	260	215	20	φ 18	φ 40	φ 150	φ 110	4-φ 19	SD41-0.5	275
40-250(I)	735	506	570	335	95	291	400	295	15	φ 18	φ 40	φ 150	φ 110	4-φ 19	SD61-0.5	315
40-250(I)A	735	506	570	335	95	291	400	295	15	φ 18	φ 40	φ 150	φ 110	4-φ 19	SD61-0.5	315
40-250(I)B	625	506	470	325	95	291	300	290	20	φ 18	φ 40	φ 150	φ 110	4-φ 19	SD61-0.5	315
50-100	442	331	330	190	80	191	200	160	10	φ 18	φ 50	φ 165	φ 125	4-φ 19	SD41-0.5	215
50-100A	442	331	330	190	80	191	200	160	10	φ 18	φ 50	φ 165	φ 125	4-φ 19	SD41-0.5	215
50-125	452	351	340	195	80	206	200	165	15	φ 18	φ 50	φ 165	φ 125	4-φ 19	SD41-0.5	230
50-125A	442	351	335	195	80	206	200	165	15	φ 18	φ 50	φ 165	φ 125	4-φ 19	SD41-0.5	230
50-160	532	381	405	245	90	221	260	215	15	φ 18	φ 50	φ 165	φ 125	4-φ 19	SD41-0.5	245
50-160A	497	381	385	245	90	221	240	215	15	φ 18	φ 50	φ 165	φ 125	4-φ 19	SD41-0.5	245
50-160B	497	381	385	245	90	221	240	215	15	φ 18	φ 50	φ 165	φ 125	4-φ 19	SD41-0.5	245
50-200	595	441	435	280	80	261	280	245	25	φ 18	φ 50	φ 165	φ 125	4-φ 19	SD41-0.5	295
50-200A	540	441	415	255	80	261	260	215	20	φ 18	φ 50	φ 165	φ 125	4-φ 19	SD41-0.5	275
50-200B	520	441	405	255	80	261	260	215	20	φ 18	φ 50	φ 165	φ 125	4-φ 19	SD41-0.5	275
50-250	735	506	570	335	95	291	400	295	15	φ 18	φ 50	φ 165	φ 125	4-φ 19	SD61-0.5	315
50-250A	735	506	570	335	95	291	400	295	15	φ 18	φ 50	φ 165	φ 125	4-φ 19	SD61-0.5	315
50-250B	625	506	470	325	95	291	300	290	20	φ 18	φ 50	φ 165	φ 125	4-φ 19	SD61-0.5	315
50-100(I)	451	361	345	190	80	201	200	150	15	φ 18	φ 50	φ 165	φ 125	4-φ 19	SD41-0.5	225
50-100(I)A	441	361	340	190	80	201	200	150	15	φ 18	φ 50	φ 165	φ 125	4-φ 19	SD41-0.5	225
50-125(I)	533	371	410	215	90	201	260	175	20	φ 18	φ 50	φ 165	φ 125	4-φ 19	SD41-0.5	225
50-125(I)A	498	371	375	215	90	201	240	175	10	φ 18	φ 50	φ 165	φ 125	4-φ 19	SD41-0.5	225
50-160(I)	558	416	405	245	100	241	260	200	20	φ 18	φ 50	φ 165	φ 125	4-φ 19	SD41-0.5	270
50-160(I)A	558	416	405	245	100	241	260	200	20	φ 18	φ 50	φ 165	φ 125	4-φ 19	SD41-0.5	270
50-160(I)B	538	416	400	245	100	241	260	200	15	φ 18	φ 50	φ 165	φ 125	4-φ 19	SD41-0.5	270
50-200(I)	617	461	440	280	100	270	330	240	2.5	φ 18	φ 50	φ 165	φ 125	4-φ 19	SD61-0.5	295
50-200(I)A	617	461	440	280	100	270	330	240	2.5	φ 18	φ 50	φ 165	φ 125	4-φ 19	SD61-0.5	295
50-200(I)B	617	461	440	280	100	270	330	240	2.5	φ 18	φ 50	φ 165	φ 125	4-φ 19	SD61-0.5	295
50-250(I)	743	531	560	330	105	291	400	290	15	φ 18	φ 50	φ 165	φ 125	4-φ 19	SD61-1	315
50-250(I)A	743	531	560	330	105	291	400	290	15	φ 18	φ 50	φ 165	φ 125	4-φ 19	SD61-1	315
50-250(I)B	743	531	560	330	105	291	400	290	15	φ 18	φ 50	φ 165	φ 125	4-φ 19	SD61-0.5	315
50-315(I)	919	590	690	395	105	320	500	350	10	φ 18	φ 50	φ 165	φ 125	4-φ 19	SD61-1.5	345
50-315(I)A	919	590	690	395	105	320	500	350	10	φ 18	φ 50	φ 165	φ 125	4-φ 19	SD61-1	345
50-315(I)B	814	590	620	355	105	320	500	320	10	φ 18	φ 50	φ 165	φ 125	4-φ 19	SD61-1	345
65-100	454	361	345	190	80	201	200	150	15	φ 18	φ 65	φ 185	φ 145	4-φ 19	SD41-0.5	225
65-100A	454	361	340	190	80	201	200	150	15	φ 18	φ 65	φ 185	φ 145	4-φ 19	SD41-0.5	225

TTABC-Series of Horizontal Centrifugal Pump

TTABC-SLW type pump dimension table

Type	Figure dimensions				Installing dimensions						In-outlet flange dimensions				Vibration-insulating pad	
	L	H	E	F	a	h	L <sub>1</sub>	B	I	4-do	DN	D	D <sub>1</sub>	n-d	Type	H <sub>1</sub>
65-125	535	371	405	215	90	201	260	175	20	φ 18	φ 65	φ 185	φ 145	4-φ 19	SD41-0.5	225
65-125A	500	371	375	215	90	201	240	175	15	φ 18	φ 65	φ 185	φ 145	4-φ 19	SD41-0.5	225
65-160	558	411	405	245	100	241	260	200	20	φ 18	φ 65	φ 185	φ 145	4-φ 19	SD41-0.5	270
65-160A	558	411	405	245	100	241	260	200	20	φ 18	φ 65	φ 185	φ 145	4-φ 19	SD41-0.5	270
65-160B	538	411	400	240	100	241	260	200	15	φ 18	φ 65	φ 185	φ 145	4-φ 19	SD41-0.5	270
65-200	620	461	440	280	100	271	330	240	2.5	φ 18	φ 65	φ 185	φ 145	4-φ 19	SD61-0.5	295
65-200A	620	461	440	280	100	271	330	240	2.5	φ 18	φ 65	φ 185	φ 145	4-φ 19	SD61-0.5	295
65-200B	620	461	440	280	100	271	330	240	2.5	φ 18	φ 65	φ 185	φ 145	4-φ 19	SD61-0.5	295
65-250	745	531	560	330	105	291	400	290	15	φ 18	φ 65	φ 185	φ 145	4-φ 19	SD61-1	315
65-250A	745	531	560	330	105	291	400	290	15	φ 18	φ 65	φ 185	φ 145	4-φ 19	SD61-1	315
65-250B	745	531	560	330	105	291	400	290	15	φ 18	φ 65	φ 185	φ 145	4-φ 19	SD61-0.5	315
65-315	919	590	690	395	105	320	500	350	10	φ 18	φ 65	φ 185	φ 145	4-φ 19	SD61-1.5	345
65-315A	919	590	690	395	105	320	500	350	10	φ 18	φ 65	φ 185	φ 145	4-φ 19	SD61-1	345
65-315B	814	590	620	355	105	320	500	320	10	φ 18	φ 65	φ 185	φ 145	4-φ 19	SD61-1	345
65-100(I)	545	391	420	250	100	221	260	215	20	φ 18	φ 65	φ 185	φ 145	4-φ 19	SD61-0.5	250
65-100(I)A	515	391	385	250	100	221	240	215	20	φ 18	φ 65	φ 185	φ 145	4-φ 19	SD61-0.5	250
65-125(I)	610	421	445	290	90	221	280	250	30	φ 18	φ 65	φ 185	φ 145	4-φ 19	SD61-0.5	267
65-125(I)A	555	421	420	250	90	221	260	215	30	φ 18	φ 65	φ 185	φ 145	4-φ 19	SD61-0.5	250
65-160(I)	638	471	455	290	120	271	300	250	20	φ 18	φ 65	φ 185	φ 145	4-φ 19	SD61-1	295
65-160(I)A	640	471	455	290	120	271	300	250	20	φ 18	φ 65	φ 185	φ 145	4-φ 19	SD61-1	295
65-160(I)B	640	471	455	290	120	271	300	250	20	φ 18	φ 65	φ 185	φ 145	4-φ 19	SD61-0.5	295
65-200(I)	745	486	555	330	105	271	400	295	20	φ 18	φ 65	φ 185	φ 145	4-φ 19	SD61-1	295
65-200(I)A	745	486	555	330	105	271	400	295	20	φ 18	φ 65	φ 185	φ 145	4-φ 19	SD61-1	295
65-200(I)B	745	486	555	330	105	271	400	295	20	φ 18	φ 65	φ 185	φ 145	4-φ 19	SD61-1	295
65-250(I)	830	531	625	360	125	291	440	320	17.5	φ 18	φ 65	φ 185	φ 145	4-φ 19	SD61-1	315
65-250(I)A	810	531	620	335	125	291	440	295	17.5	φ 18	φ 65	φ 185	φ 145	4-φ 19	SD61-1	315
65-250(I)B	765	531	575	335	125	291	400	295	17.5	φ 18	φ 65	φ 185	φ 145	4-φ 19	SD61-1	315
65-315(I)	1015	650	760	440	135	360	540	400	35	φ 18	φ 65	φ 185	φ 145	4-φ 19	SD61-1.5	335
65-315(I)A	985	650	720	410	135	360	540	370	25	φ 18	φ 65	φ 185	φ 145	4-φ 19	SD61-1	335
65-315(I)B	985	650	720	410	135	360	540	370	25	φ 18	φ 65	φ 185	φ 145	4-φ 19	SD61-1	335
80-100	545	390	420	250	100	221	260	215	20	φ 18	φ 80	φ 200	φ 160	8		

TTABC-SLW type pump dimension table

Type	Figure dimensions				Installing dimensions						In-outlet flange dimensions				Vibration-insulating pad	
	L	H	E	F	a	h	L <sub>1</sub>	B	I	4-do	DN	D	D <sub>1</sub>	n-d	Type	H <sub>1</sub>
80-315	990	650	760	440	135	360	540	400	35	φ 18	φ 80	φ 200	φ 160	8-φ 19	SD61-1.5	390
80-315A	950	650	720	410	135	360	540	370	25	φ 18	φ 80	φ 200	φ 160	8-φ 19	SD61-1	390
80-315B	950	650	720	410	135	360	540	370	25	φ 18	φ 80	φ 200	φ 160	8-φ 19	SD61-1	390
80-315C	950	650	720	410	135	360	540	370	25	φ 18	φ 80	φ 200	φ 160	8-φ 19	SD61-1	390
80-350	1100	700	830	500	135	385	650	460	5	φ 18	φ 80	φ 200	φ 160	8-φ 19	SD61-1.5	425
80-350A	1015	690	765	440	135	375	600	400	5	φ 18	φ 80	φ 200	φ 160	8-φ 19	SD61-1.5	405
80-350B	975	690	735	400	135	375	570	360	5	φ 18	φ 80	φ 200	φ 160	8-φ 19	SD61-1.5	405
80-100(I)	628	496	470	280	104	271	300	245	17.5	φ 18	φ 80	φ 200	φ 160	8-φ 19	SD61-1	295
80-100(I)A	573	496	445	270	104	271	300	235	2.5	φ 18	φ 80	φ 200	φ 160	8-φ 19	SD61-1	295
80-125(I)	749	486	575	330	104	271	400	295	17.5	φ 18	φ 80	φ 200	φ 160	8-φ 19	SD61-1	295
80-125(I)A	639	486	480	290	104	271	300	255	17.5	φ 18	φ 80	φ 200	φ 160	8-φ 19	SD61-1	295
80-160(I)	758	521	575	330	110	271	400	295	17.5	φ 18	φ 80	φ 200	φ 160	8-φ 19	SD61-1	295
80-160(I)A	758	521	575	330	110	271	400	295	17.5	φ 18	φ 80	φ 200	φ 160	8-φ 19	SD61-1	295
80-160(I)B	758	521	575	330	110	271	400	295	17.5	φ 18	φ 80	φ 200	φ 160	8-φ 19	SD61-1	295
80-200(I)	815	531	625	355	105	291	440	320	22.5	φ 18	φ 80	φ 200	φ 160	8-φ 19	SD61-1	315
80-200(I)A	800	531	615	330	105	291	440	295	22.5	φ 18	φ 80	φ 200	φ 160	8-φ 19	SD61-1	315
80-200(I)B	745	531	575	330	105	291	400	295	22.5	φ 18	φ 80	φ 200	φ 160	8-φ 19	SD61-1	315
80-250(I)	944	610	710	395	125	335	520	355	10	φ 22	φ 80	φ 200	φ 160	8-φ 19	SD62-1.5	388
80-250(I)A	944	610	710	395	125	335	520	355	10	φ 22	φ 80	φ 200	φ 160	8-φ 19	SD62-1.5	388
80-250(I)B	944	610	710	395	125	335	520	355	10	φ 22	φ 80	φ 200	φ 160	8-φ 19	SD62-1	388
80-315(I)	1145	740	875	550	130	415	660	510	32.5	φ 22	φ 80	φ 200	φ 160	8-φ 19	SD62-1.5	473
80-315(I)A	1075	710	820	490	130	385	640	450	7.5	φ 22	φ 80	φ 200	φ 160	8-φ 19	SD62-1.5	443
80-315(I)B	1075	710	820	490	130	385	640	450	7.5	φ 22	φ 80	φ 200	φ 160	8-φ 19	SD62-1.5	443
80-315(I)C	950	685	730	400	130	360	550	360	2.5	φ 22	φ 80	φ 200	φ 180	8-φ 19	SD62-1.5	413
100-100	628	496	470	280	104	271	300	245	17.5	φ 18	φ 100	φ 220	φ 180	8-φ 19	SD61-1	295
100-100A	573	496	445	270	104	271	300	235	2.5	φ 18	φ 100	φ 220	φ 180	8-φ 19	SD61-1	295
100-125	749	486	575	330	104	271	400	295	17.5	φ 18	φ 100	φ 220	φ 180	8-φ 19	SD61-1	295
100-125A	639	486	480	290	104	271	300	255	17.5	φ 18	φ 100	φ 220	φ 180	8-φ 19	SD61-1	295
100-160	758	521	575	330	110	271	400	295	17.5	φ 18	φ 100	φ 220	φ 180	8-φ 19	SD61-1	295
100-160A	758	521	575	330	110	271	400	295	17.5	φ 18	φ 100	φ 220	φ 180	8-φ 19	SD61-1	295
100-160B	758	521	575	330	110	271	400	295	17.5	φ 18	φ 100	φ 220	φ 180	8-φ 19	SD61-1	295
100-200	820	531	625	355	105	291	440	320	22.5	φ 18	φ 100	φ 220	φ 180	8-φ 19	SD61-1	315
100-200A	800	531	615	330	105	291	440	295	22.5	φ 18	φ 100	φ 220	φ 180	8-φ 19	SD61-1	315
100-200B	755	531	575	330	105	291	400	295	22.5	φ 18	φ 100	φ 220	φ 180	8-φ 19	SD61-1	315
100-250	944	610	710	395	125	335	520	355	10	φ 22	φ 100	φ 220	φ 180	8-φ 19	SD62-1.5	388
100-250A	944	610	710	395	125	335	520	355	10	φ 22	φ 100	φ 220	φ 180	8-φ 19	SD62-1.5	388
100-250B	944	610	710	395	125	335	520	355	10	φ 22	φ 100	φ 220	φ 180	8-φ 19	SD62-1	388
100-315	1145	740	875	550	130	415	660	510	32.5	φ 22	φ 100	φ 220	φ 180	8-φ 19	SD62-1.5	473
100-315A	1075	710	820	490	130	385	640	450	7.5	φ 22	φ 100	φ 220	φ 180	8-φ 19	SD62-1.5	443
100-315B	1075	710	820	490	130	385	640	450	7.5	φ 22	φ 100	φ 220	φ 180	8-φ 19	SD62-1.5	443
100-350	1205	755	945	560	130	415	720	520	20	φ 22	φ 100	φ 220	φ 180	8-φ 19	SD62-2	468
100-350A	1155	755	890	560	130	415	670	520	20	φ 22	φ 100	φ 220	φ 180	8-φ 19	SD62-2	468
100-350B	1155	755	890	560	130	415	670	520	20	φ 22	φ 100	φ 220	φ 180	8-φ 19	SD62-2	468

TTABC-Series of Horizontal Centrifugal Pump

TTABC- SLW type pump dimension table

Type	Figure dimensions				Installing dimensions						In-outlet flange dimensions				Vibration-insulating pad	
	L	H	E	F	a	h	L <sub>1</sub>	B	I	4-do	DN	D	D <sub>1</sub>	n-d	Type	H <sub>1</sub>
125-100	675	546	475	330	125	291	320	295	7.5	φ 22	φ 125	φ 250	φ 210	8-φ 19	SD61-1	315
125-100A	675	546	475	330	125	291	320	295	7.5	φ 22	φ 125	φ 250	φ 210	8-φ 19	SD61-1	315
125-125	785	546	575	330	125	291	420	295	7.5	φ 22	φ 125	φ 250	φ 210	8-φ 19	SD61-1	315
125-125A	785	546	575	330	125	291	420	295	7.5	φ 22	φ 125	φ 250	φ 210	8-φ 19	SD61-1	315
125-160	836	546	630	355	125	291	440	320	22.5	φ 22	φ 125	φ 250	φ 210	8-φ 19	SD61-1	315
125-160A	815	546	620	330	125	291	440	295	22.5	φ 22	φ 125	φ 250	φ 210	8-φ 19	SD61-1	315
125-160B	770	546	580	330	125	291	420	295	7.5	φ 22	φ 125	φ 250	φ 210	8-φ 19	SD61-1	315
125-200	940	615	715	395	130	335	540	355	5	φ 22	φ 125	φ 250	φ 210	8-φ 19	SD61-1	365
125-200A	940	615	715	395	130	335	540	355	5	φ 22	φ 125	φ 250	φ 210	8-φ 19	SD61-1	365
125-200B	835	595	640	360	130	315	460	325	5	φ 22	φ 125	φ 250	φ 210	8-φ 19	SD61-1	335
125-250	1105	685	830	490	155	385	640	450	10	φ 22	φ 125	φ 250	φ 210	8-φ 19	SD62-1	438
125-250A	1020	660	770	435	155	360	560	395	10	φ 22	φ 125	φ 250	φ 210	8-φ 19	SD62-1	413
125-250B	980	635	735	395	155	335	540	355	10	φ 22	φ 125	φ 250	φ 210	8-φ 19	SD62-1	388
125-315	1203	755	920	550	135	415	720	510	25	φ 22	φ 125	φ 250	φ 210	8-φ 19	SD62-1	473
125-315A	1153	755	865	550	135	415	660	510	30	φ 22	φ 125	φ 250	φ 210	8-φ 19	SD62-1	473
125-315B	1153	755	865	550	135	415	660	510	30	φ 22	φ 125	φ 250	φ 210	8-φ 19	SD62-1	473
150-125	771	546	575	330	125	291	420	295	7.5	φ 22	φ 150	φ 285	φ 240	8-φ 23	SD41-1.5	315
150-125A	771	546	575	330	125	291	420	295	7.5	φ 22	φ 150	φ 285	φ 240	8-φ 23	SD41-1.5	315
150-160	836	546	630	360	125	291	440	320	22.5	φ 22	φ 150	φ 285	φ 240	8-φ 23	SD61-1	315
150-160A	816	546	620	330	125	291	440	295	22.5	φ 22	φ 150	φ 285	φ 240	8-φ 23	SD61-1	315
150-160B	771	546	575	330	125	291	420	295	7.5	φ 22	φ 150	φ 285	φ 240	8-φ 23	SD61-1	315
150-200	840	681	665	370	145	361	440	330	10	φ 22	φ 150	φ 285	φ 240	8-φ 23	SD62-1	408
150-200A	803	681	620	370	145	361	440	330	0	φ 22	φ 150	φ 285	φ 240	8-φ 23	SD62-1	408
150-200B	743	681	565	370	145	361	400	330	-15	φ 22	φ 150	φ 285	φ 240	8-φ 23	SD62-1	408
150-250	865	700	660	410	145	365	440	370	15	φ 22	φ 150	φ 285	φ 240	8-φ 23	SD62-1	408
150-250A	845	700	650	410	145	365	440	370	15	φ 22	φ 150	φ 285	φ 240	8-φ 23	SD62-1	408
150-250B	800	700	605	410	145	365	440	370	0	φ 22	φ 150	φ 285	φ 240	8-φ 23	SD62-1	408
150-315	962	795	750	510	135	415	520	470	10	φ 22	φ 150	φ 285	φ 240	8-φ 23	SD62-1	468
150-315A	897	795	720	510	135	415	520	470	0	φ 22	φ 150	φ 285	φ 240	8-φ 23	SD62-1	468
150-315B	857	775	680	510	135	395	440	470	10	φ 22	φ 150	φ 285	φ 240	8-φ 23	SD62-1	438
150-350	1422	844	1000	650	1											



TTABC-SLW type pump dimension table

Type	Figure dimensions				Installing dimensions						In-outlet flange dimensions				Vibration-insulating pad	
	L	H	E	F	a	h	L <sub>1</sub>	B	I	4-do	DN	D	D <sub>1</sub>	n-d	Type	H <sub>1</sub>
150-250(I)	1165	750	875	560	145	415	640	520	40	φ22	φ150	φ285	φ240	8-φ23	SD62-1	468
150-250(I)A	1095	720	825	500	145	385	620	460	20	φ22	φ150	φ285	φ240	8-φ23	SD62-1	438
150-250(I)B	1010	720	760	440	145	385	540	400	20	φ22	φ150	φ285	φ240	8-φ23	SD62-1	438
150-315(I)	1410	844	1000	650	135	454	760	605	15	φ22	φ150	φ285	φ240	8-φ23	SD62-1.5	503
150-315(I)A	1220	805	955	560	135	415	720	510	15	φ22	φ150	φ285	φ240	8-φ23	SD62-1.5	468
150-315(I)B	1170	805	905	560	135	415	680	510	10	φ22	φ150	φ285	φ240	8-φ23	SD62-1.5	468
200-200	850	695	665	410	145	365	440	370	10	φ22	φ200	φ340	φ295	12-φ23	SD62-1	408
200-200A	805	695	620	410	145	365	440	370	0	φ22	φ200	φ340	φ295	12-φ23	SD62-1	408
200-250	905	775	660	420	185	385	460	370	10	φ22	φ200	φ340	φ295	12-φ23	SD62-1	438
200-250A	885	775	650	420	185	385	460	370	10	φ22	φ200	φ340	φ295	12-φ23	SD62-1	438
200-250B	840	775	605	420	185	385	440	370	10	φ22	φ200	φ340	φ295	12-φ23	SD62-1	438
200-315	980	790	750	520	155	415	520	480	10	φ22	φ200	φ340	φ295	12-φ23	SD62-1	468
200-315A	920	790	720	520	155	415	480	480	10	φ22	φ200	φ340	φ295	12-φ23	SD62-1	468
200-315B	880	770	680	520	155	395	400	480	20	φ22	φ200	φ340	φ295	12-φ23	SD62-1	438
200-400	1025	885	775	500	155	450	540	460	10	φ22	φ200	φ340	φ295	12-φ23	SD62-1	503
200-400A	1000	885	745	500	155	450	520	460	10	φ22	φ200	φ340	φ295	12-φ23	SD62-1	503
200-400B	985	885	745	500	155	450	520	460	10	φ22	φ200	φ340	φ295	12-φ23	SD62-1	503
200-400C	920	865	715	500	155	430	480	460	10	φ22	φ200	φ340	φ295	12-φ23	SD62-1	473
200-200G	883	775	680	500	150	395	440	465	15	φ22	φ200	φ340	φ295	12-φ23	SD62-1	438
200-200GA	863	775	675	500	150	395	440	465	15	φ22	φ200	φ340	φ295	12-φ23	SD62-1	438
200-250G	936	795	720	515	165	395	480	475	10	φ22	φ200	φ340	φ295	12-φ23	SD62-1	438
200-250GA	896	795	680	515	165	395	420	475	15	φ22	φ200	φ340	φ295	12-φ23	SD62-1	438
200-250GB	861	795	660	515	165	395	420	475	15	φ22	φ200	φ340	φ295	12-φ23	SD62-1	438
200-315G	1052	875	780	555	175	425	560	515	10	φ22	φ200	φ340	φ295	12-φ23	SD62-1	478
200-315GA	1027	875	755	555	175	425	520	515	10	φ22	φ200	φ340	φ295	12-φ23	SD62-1	478
200-315GB	1012	875	755	555	175	425	520	515	10	φ22	φ200	φ340	φ295	12-φ23	SD62-1	478
200-400G	1215	890	905	560	175	450	700	520	10	φ22	φ200	φ340	φ295	12-φ23	SD62-1	503
200-400GA	1145	890	850	560	175	450	640	520	5	φ22	φ200	φ340	φ295	12-φ23	SD62-1	503
200-400GB	1060	890	790	560	175	450	580	520	5	φ22	φ200	φ340	φ295	12-φ23	SD62-1	503
200-400GC	1035	890	765	560	175	450	550	520	5	φ22	φ200	φ340	φ295	12-φ23	SD62-1	503
200-500G	1462	1055	1055	650	185	515	760	610	5	φ22	φ200	φ340	φ295	12-φ23	SD62-1	568
200-500GA	1312	1055	990	640	185	515	760	600	5	φ22	φ200	φ340	φ295	12-φ23	SD62-1	568
200-500GB	1240	1055	940	640	185	515	760	600	-5	φ22	φ200	φ340	φ295	12-φ23	SD62-1	568
200-500GC	1170	1055	890	640	185	515	680	600	5	φ22	φ200	φ340	φ295	12-φ23	SD62-1	568
200-200(I)	923	775	720	500	150	395	500	465	5	φ22	φ200	φ340	φ295	12-φ23	SD62-1	438
200-200(I)A	883	775	680	500	150	395	440	465	15	φ22	φ200	φ340	φ295	12-φ23	SD62-1	438
200-250(I)	990	815	750	510	165	415	520	475	10	φ22	φ200	φ340	φ295	12-φ23	SD62-1	468
200-250(I)A	925	815	720	510	165	415	480	475	10	φ22	φ200	φ340	φ295	12-φ23	SD62-1	438
200-250(I)B	885	815	680	510	165	415	420	475	15	φ22	φ200	φ340	φ295	12-φ23	SD62-1	438
200-315(I)	1125	875	860	555	155	455	620	515	15	φ22	φ200	φ340	φ295	12-φ23	SD62-1	508
200-315(I)A	1040	875	790	555	155	455	560	515	10	φ22	φ200	φ340	φ295	12-φ23	SD62-1	508
200-315(I)B	1015	875	765	555	155	455	520	515	10	φ22	φ200	φ340	φ295	12-φ23	SD62-1	508
200-400(I)	1250	900	985	560	145	450	760	520	15	φ22	φ200	φ340	φ295	12-φ23	SD62-1.5	503
200-400(I)A	1185	900	905	560	145	450	700	520	10	φ22	φ200	φ340	φ295	12-φ23	SD62-1.5	503

TTABC-Series of Horizontal Centrifugal Pump

TTABC-SLW type pump dimension table

Type	Figure dimensions				Installing dimensions						In-outlet flange dimensions				Vibration-insulating pad	
	L	H	E	F	a	h	L <sub>1</sub>	B	I	4-do	DN	D	D <sub>1</sub>	n-d	Type	H <sub>1</sub>
200-400(I)B	1115	900	855	560	145	450	640	520	5	φ22	φ200	φ340	φ295	12-φ23	SD62-1	503
200-400(IC)	1030	900	790	560	145	450	580	520	5	φ22	φ200	φ340	φ295	12-φ23	SD62-1	503
200-500(I)	1572	1055	1135	650	185	515	800	610	5	φ22	φ200	φ340	φ295	12-φ23	SD62-1	568
200-500(I)A	1572	1055	1055	650	185	515	760	610	5	φ22	φ200	φ340	φ295	12-φ23	SD62-1	568
200-500(I)B	1290	1055	990	640	185	515	760	600	5	φ22	φ200	φ340	φ295	12-φ23	SD62-1	518
200-500(IC)	1240	1055	940	640	185	515	760	600	-5	φ22	φ200	φ340	φ355	12-φ28	SD62-1	518
250-250	990	960	665	510	225	465	480	470	-5	φ22	φ250	φ405	φ355	12-φ28	SD62-1	503
250-250(I)	1090	960	790	500	225	465	580	460	10	φ22	φ250	φ405	φ355	12-φ28	SD62-1	503
250-250(I)A	1065	960	765	500	225	465	540	460	10	φ22	φ250	φ405	φ355	12-φ28	SD62-1	503
250-235	1000	960	730	600	225	465	520	560	0	φ22	φ250	φ405	φ355	12-φ28	SD62-1	523
250-300	1080	960	765	530	225	465	640	485	0	φ22	φ250	φ405	φ335	12-φ28	SD62-1	493
250-315	1260	960	910	600	225	465	700	560	10	φ22	φ250	φ405	φ335	12-φ28	SD62-1.5	518
250-315A	1190	960	860	600	225	465	630	560	10	φ22	φ250	φ405	φ335	12-φ28	SD62-1.5	518
250-315B	1105	960	790	600	225	465	560	560	10	φ22	φ250	φ405	φ335	12-φ28	SD62-1.5	518
250-400	1285	1000	990	570	200	465	760	530	15	φ22	φ250	φ405	φ335	12-φ28	SD62-1.5	518
250-400A	1285	1000	990	570	200	465	760	530	15	φ22	φ250	φ405	φ335	12-φ28	SD62-1.5	518
250-400B	1270	1000	905	570	200	465	680	530	15	φ22	φ250	φ405	φ335	12-φ28	SD62-1.5	518
250-500	1607	1155	1160	660	220	555	860	620	30	φ22	φ250	φ405	φ335	12-φ28	SD62-1.5	608
250-500A	1607	1155	1135	660	220	555	860	620	5	φ22	φ250	φ405	φ335	12-φ28	SD62-1.5	608
250-500B	1537	1155	1055	660	220	555	780	620	10	φ22	φ250	φ405	φ335	12-φ28	SD62-1.5	608
250-500C	1347	1155	995	660	220	555	740	620	10	φ22	φ250	φ405	φ335	12-φ28	SD62-1.5	558
300-235	1247	1085	890	620	260	485	700	580	-20	φ26	φ300	φ460	φ410	12-φ28	SD62-1.5	463
300-235A	1162	1085	820	620	260	485	650	580	-30	φ26	φ300	φ460	φ410	12-φ28	SD62-1.5	463
300-235B	1137	1085	795	620	260	485	600	580	-20	φ26	φ300	φ460	φ410	12-φ28	SD62-1.5	463
300-250	1247	1085	890	620	260	485	700	580	-20	φ26	φ300	φ460	φ410	12-φ28	SD62-1.5	463
300-250A	1162	1085	820	620	260	485	650	580	-30	φ26	φ300	φ460	φ410	12-φ28	SD62-1.5	463
300-300	1312	1085	950	690	245	535	800	650	-45	φ26	φ300	φ460	φ410	12-φ28	SD62-1.5	593
300-300A	1225	1085	895	690	245	535	740	650	-45	φ26	φ300	φ460	φ410	12-φ28	SD62-1.5	583
300-300B	1157	1085	820	690	245	535	650	650	-40	φ26	φ300	φ460	φ410	12-φ28	SD62-1.5	583
300-315	1370	1085	1015	620	260	485	740	580	15	φ26	φ300	φ460	φ410	12-φ28	SD62-2	540
300-315A	1315	1085	940	620	260	485	680	580	15	φ26	φ300	φ460	φ410	12-		

TTABC-SLW type pump dimension table

Type	Figure dimensions				Installing dimensions						In-outlet flange dimensions				Vibration-insulating pad	
	L	H	E	F	a	h	L <sub>1</sub>	B	I	4-do	DN	D	D <sub>1</sub>	n-d	Type	H <sub>1</sub>
350-315	1405	1079	1030	660	260	529	760	620	15	φ 26	φ 350	φ 520	φ 470	16-φ 28	SD62-2	573
350-400	1816	1204	1180	660	285	549	880	620	30	φ 26	φ 350	φ 520	φ 470	16-φ 28	SD62-2.5	603
350-450	1620	1549	1245	900	280	739	900	840	-50	φ 26	φ 350	φ 520	φ 470	16-φ 28	SD62-2.5	733
350-450A	1510	1549	1165	900	280	739	850	840	-50	φ 26	φ 350	φ 520	φ 470	16-φ 28	SD62-2.5	733
350-500	2101	1334	1380	800	320	634	1020	750	30	φ 26	φ 350	φ 520	φ 470	16-φ 28	SD62-2.5	702
350-525	1850	1554	1370	900	280	744	1085	840	-50	φ 26	φ 350	φ 520	φ 470	16-φ 28	SD62-2.5	766
350-525A	1620	1554	1270	900	280	744	955	840	-50	φ 26	φ 350	φ 520	φ 470	16-φ 28	SD62-2.5	766
350-525B	1620	1554	1270	900	280	744	955	840	-50	φ 26	φ 350	φ 520	φ 470	16-φ 28	SD62-2.5	766
350-600	1880	1554	1405	1120	280	744	1125	1060	-50	φ 26	φ 350	φ 520	φ 470	16-φ 28	SD62-2.5	766
350-600A	1880	1554	1370	1120	280	744	1085	1060	-50	φ 26	φ 350	φ 520	φ 470	16-φ 28	SD62-2.5	766
350-600B	1675	1554	1370	1120	280	744	1085	1060	-50	φ 26	φ 350	φ 520	φ 470	16-φ 28	SD62-2.5	766
350-315G	1606	1099	1200	660	260	549	850	620	15	φ 26	φ 350	φ 520	φ 470	16-φ 28	SD62-2	573
350-315GA	1506	1099	1085	660	260	549	800	620	5	φ 26	φ 350	φ 520	φ 470	16-φ 28	SD62-2	573
350-315GB	1316	1099	1045	660	260	549	700	620	5	φ 26	φ 350	φ 520	φ 470	16-φ 28	SD62-2	573
350-400G	1816	1244	1180	750	285	589	880	700	12.5	φ 26	φ 350	φ 520	φ 470	16-φ 28	SD62-2.5	603
350-400GA	1816	1244	1180	750	285	589	880	700	12.5	φ 26	φ 350	φ 520	φ 470	16-φ 28	SD62-2.5	603
350-400GB	1816	1244	1180	750	285	589	880	700	12.5	φ 26	φ 350	φ 520	φ 470	16-φ 28	SD62-2.5	603
350-450G	1600	1449	1165	900	280	709	850	840	-50	φ 26	φ 350	φ 520	φ 470	16-φ 28	SD62-2.5	733
350-450GA	1410	1449	1150	900	280	709	800	840	0	φ 26	φ 350	φ 520	φ 470	16-φ 28	SD62-2.5	733
350-525G	1630	1449	1235	900	280	709	900	840	50	φ 26	φ 350	φ 520	φ 470	16-φ 28	SD62-2.5	766
350-525GA	1630	1449	1235	900	280	709	900	840	50	φ 26	φ 350	φ 520	φ 470	16-φ 28	SD62-2.5	766
350-525GB	1630	1449	1200	900	280	709	850	840	50	φ 26	φ 350	φ 520	φ 470	16-φ 28	SD62-2.5	766
350-620G	1880	1554	1400	1020	280	709	1085	960	-50	φ 26	φ 350	φ 520	φ 470	16-φ 28	SD62-2.5	766
350-620GA	1880	1554	1400	1020	280	709	1085	960	-50	φ 26	φ 350	φ 520	φ 470	16-φ 28	SD62-2.5	766
350-620GB	1700	1554	1270	1020	280	709	985	960	-50	φ 26	φ 350	φ 520	φ 470	16-φ 28	SD62-2.5	766
350-315(I)	1620	1239	1175	750	260	589	900	700	12.5	φ 26	φ 350	φ 520	φ 470	16-φ 28	SD62-2	573
350-315(I)A	1620	1239	1150	750	260	589	850	700	12.5	φ 26	φ 350	φ 520	φ 470	16-φ 28	SD62-2	573
350-315(I)B	1550	1239	1065	750	260	589	750	700	12.5	φ 26	φ 350	φ 520	φ 470	16-φ 28	SD62-2	573
350-400(I)	1996	1244	1275	750	285	589	950	700	10	φ 26	φ 350	φ 520	φ 470	16-φ 28	SD62-2.5	603
350-400(I)A	1816	1244	1180	750	285	589	880	700	10	φ 26	φ 350	φ 520	φ 470	16-φ 28	SD62-2.5	603
350-400(I)B	1816	1244	1180	750	285	589	880	700	10	φ 26	φ 350	φ 520	φ 470	16-φ 28	SD62-2.5	603
400-300	1450	1179	1055	690	320	579	840	650	-40	φ 26	φ 400	φ 580	φ 525	16-φ 31	SD62-2.5	608
400-315	1780	1179	1175	890	320	579	840	840	20	φ 26	φ 400	φ 580	φ 525	16-φ 31	SD62-2.5	628
400-450	1710	1589	1380	920	300	739	1120	860	-60	φ 35	φ 400	φ 580	φ 525	16-φ 31	SD63-3	811
400-450A	1480	1589	1280	920	300	739	1000	860	-60	φ 35	φ 400	φ 580	φ 525	16-φ 31	SD63-2.5	811
400-500	1915	1609	1415	920	300	759	1160	860	-60	φ 35	φ 400	φ 580	φ 525	16-φ 31	SD63-3	846
400-500A	1915	1609	1380	920	300	759	1120	860	-60	φ 35	φ 400	φ 580	φ 525	16-φ 31	SD63-3	846
400-500B	1915	1609	1380	920	300	759	1120	860	-60	φ 35	φ 400	φ 580	φ 525	16-φ 31	SD63-3	846
400-600	2265	1609	1800	920	300	759	1480	860	-60	φ 35	φ 400	φ 580	φ 525	16-φ 31	SD64-4	889
400-600A	2265	1609	1800	920	300	759	1480	860	-60	φ 35	φ 400	φ 580	φ 525	16-φ 31	SD64-4	889
400-600B	1915	1609	1415	920	300	759	1160	860	-60	φ 35	φ 400	φ 580	φ 525	16-φ 31	SD64-4	869
400-600C	1915	1609	1380	920	300	759	1120	860	-60	φ 35	φ 400	φ 580	φ 525	16-φ 31	SD63-3	846
500-300	1720	1309	1160	820	380	579	810	770	0	φ 26	φ 500	φ 715	φ 650	16-φ 31	SD62-2.5	623
500-315	1790	1309	1265	820	380	579	900	770	0	φ 26	φ 500	φ 715	φ 650	16-φ 31	SD62-2.5	623

TTABC-Series of Horizontal Centrifugal Pump

TTABC-SLWD type pump dimension table

Type	Figure dimensions				Installing dimensions						In-outlet flange dimensions				Vibration-insulating pad	
	L	H	E	F	a	h	L <sub>1</sub>	B	I	4-do	DN	D	D <sub>1</sub>	n-d	Type	H <sub>1</sub>
40-160	396	381	320	250	77	221	200	215	10	φ 14	φ 40	φ 150	φ 110	4-φ 19	SD41-0.5	245
40-200	450	421	330	250	85	251	200	215	20	φ 14	φ 40	φ 150	φ 110	4-φ 19	SD41-0.5	275
40-250	465	491	370	330	87	291	240	295	10	φ 14	φ 40	φ 150	φ 110	4-φ 19	SD41-0.5	295
40-250A	455	491	370	330	87	291	240	295	10	φ 14	φ 40	φ 150	φ 110	4-φ 19	SD41-0.5	295
40-250B	455	491	370	330	87	291	240	295	10	φ 14	φ 40	φ 150	φ 110	4-φ 19	SD41-0.5	295
40-125(I)	399	351	330	195	80	206	180	165	15	φ 18	φ 40	φ 150	φ 110	4-φ 19	SD41-0.5	230
40-160(I)	457	381	350	255	90	221	200	215	15	φ 18	φ 40	φ 150	φ 110	4-φ 19	SD41-0.5	245
40-200(I)	445	441	360	255	80	261	220	215	25	φ 18	φ 40	φ 150	φ 110	4-φ 19	SD41-0.5	295
40-250(I)	510	506	400	335	95	291	260	290	15	φ 18	φ 40	φ 150	φ 110	4-φ 19	SD41-0.5	315
40-250(I)A	485	506	400	335	95	291	260	290	15	φ 18	φ 40	φ 150	φ 110	4-φ 19	SD41-0.5	315
40-250(I)B	485	506	400	335	95	291	260	290	15	φ 18	φ 40	φ 150	φ 110	4-φ 19	SD41-0.5	315
50-125	399	351	330	195	80	206	180	165	15	φ 18	φ 50	φ 165	φ 125	4-φ 19	SD41-0.5	230
50-160	457	381	350	245	90	221	200	215	15	φ 18	φ 50	φ 165	φ 125	4-φ 19	SD41-0.5	245
50-200	445	441	360	245	80	261	220	215	25	φ 18	φ 50	φ 165	φ 125	4-φ 19	SD41-0.5	295
50-250	510	506	400	325	95	291	260	290	15	φ 18	φ 50	φ 165	φ 125	4-φ 19	SD41-0.5	315
50-250A	485	506	400	325	95	291	260	290	15	φ 18	φ 50	φ 165	φ 125	4-φ 19	SD41-0.5	315
50-250B	485	506	400	325	95	291	260	290	20	φ 18	φ 50	φ 165	φ 125	4-φ 19	SD41-0.5	315
50-125(I)	458	371	335	215	90	201	200	175	20	φ 18	φ 50	φ 165	φ 125	4-φ 19	SD41-0.5	225
50-160(I)	463	416	340	240	100	241	200	205	20	φ 18	φ 50	φ 165	φ 125	4-φ 19	SD41-0.5	265
50-200(I)	477	461	345	270	97	271	200	235	2.5	φ 18	φ 50	φ 165	φ 125	4-φ 19	SD61-0.5	295
50-200(I)A	477	461	345	270	97	271	200	235	2.5	φ 18	φ 50	φ 165	φ 125	4-φ 19	SD61-0.5	295
50-250(I)	548	531	415	325	103	291	260	290	15	φ 18	φ 50	φ 165	φ 125	4-φ 19	SD61-0.5	315
50-250(I)A	518	531	390	325	103	291	260	290	15	φ 18	φ 50	φ 165	φ 125	4-φ 19	SD61-0.5	315
50-250(I)B	518	531	390	325	103	291	260	290	15	φ 18	φ 50	φ 165	φ 125	4-φ 19	SD61-0.5	315
50-315(I)	584	590	440	355	105	320	280	320	10	φ 18	φ 50	φ 165	φ 125	4-φ 19	SD61-0.5	335
50-315(I)A	564	590	440	355	105	320	280	320	10	φ 18	φ 50	φ 165	φ 125	4-φ 19	SD61-0.5	335
50-315(I)B	564	590	440	355	105	320	280	320	10	φ 18	φ 50	φ 165	φ 125	4-φ 19	SD61-0.5	335
65-125	458	371	335	215	88	201	200	175	20	φ 18	φ 65	φ 185	φ 145	4-φ 19	SD41-0.5	225
65-160	463															



TTABC-SLWD type pump dimension table

Type	Figure dimensions				Installing dimensions						In-outlet flange dimensions				Vibration-insulating pad	
	L	H	E	F	a	h	L <sub>1</sub>	B	I	4-do	DN	D	D <sub>1</sub>	n-d	Type	H <sub>1</sub>
65-200(I)A	520	486	385	275	103	271	240	240	20	φ 18	φ 65	φ 185	φ 145	4-φ 19	SD61-0.5	295
65-250(I)	580	531	425	330	125	291	260	295	17.5	φ 18	φ 65	φ 185	φ 145	4-φ 19	SD61-0.5	315
65-250(I)A	580	531	425	330	125	291	260	295	17.5	φ 18	φ 65	φ 185	φ 145	4-φ 19	SD61-0.5	315
65-250(I)B	580	531	425	330	125	291	260	295	17.5	φ 18	φ 65	φ 185	φ 145	4-φ 19	SD61-0.5	315
65-315(I)	672	650	470	360	137	360	300	320	35	φ 18	φ 65	φ 185	φ 145	4-φ 19	SD61-0.5	390
65-315(I)A	672	650	470	360	137	360	300	320	25	φ 18	φ 65	φ 185	φ 145	4-φ 19	SD61-0.5	390
65-315(I)B	597	650	440	360	137	360	280	320	25	φ 18	φ 65	φ 185	φ 145	4-φ 19	SD61-0.5	390
80-125	462	421	345	250	92	221	200	215	30	φ 18	φ 80	φ 200	φ 160	8-φ 19	SD61-0.5	250
80-160	498	471	345	275	122	271	240	240	20	φ 18	φ 80	φ 200	φ 160	8-φ 19	SD61-0.5	295
80-200	550	486	410	275	103	271	260	240	20	φ 18	φ 80	φ 200	φ 160	8-φ 19	SD61-0.5	295
80-200A	520	486	385	275	103	271	240	240	20	φ 18	φ 80	φ 200	φ 160	8-φ 19	SD61-0.5	295
80-250	580	531	425	330	125	291	260	295	17.5	φ 18	φ 80	φ 200	φ 160	8-φ 19	SD61-0.5	315
80-250A	580	531	425	330	125	291	260	295	17.5	φ 18	φ 80	φ 200	φ 160	8-φ 19	SD61-0.5	315
80-250B	580	531	425	330	125	291	260	295	17.5	φ 18	φ 80	φ 200	φ 160	8-φ 19	SD61-0.5	315
80-315	672	650	470	360	137	360	300	320	35	φ 18	φ 80	φ 200	φ 160	8-φ 19	SD61-0.5	390
80-315A	672	650	470	360	137	360	300	320	25	φ 18	φ 80	φ 200	φ 160	8-φ 19	SD61-0.5	390
80-315B	617	650	440	360	137	360	280	320	25	φ 18	φ 80	φ 200	φ 160	8-φ 19	SD61-0.5	390
80-125(I)	524	486	400	290	104	271	260	255	17.5	φ 18	φ 80	φ 200	φ 160	8-φ 19	SD61-0.5	295
80-160(I)	563	521	430	290	110	271	260	255	17.5	φ 18	φ 80	φ 200	φ 160	8-φ 19	SD61-0.5	295
80-160(I)A	533	521	410	290	110	271	240	255	17.5	φ 18	φ 80	φ 200	φ 160	8-φ 19	SD61-0.5	295
80-200(I)	564	531	440	320	101	291	280	285	22.5	φ 18	φ 80	φ 200	φ 160	8-φ 19	SD61-0.5	315
80-200(I)A	564	531	440	320	101	291	280	285	22.5	φ 18	φ 80	φ 200	φ 160	8-φ 19	SD61-0.5	315
80-250(I)	664	610	500	370	126	335	280	330	10	φ 18	φ 80	φ 200	φ 160	8-φ 19	SD62-1	388
80-250(I)A	609	610	470	370	126	335	260	330	10	φ 18	φ 80	φ 200	φ 160	8-φ 19	SD62-1	388
80-250(I)B	609	610	470	370	126	335	260	330	10	φ 18	φ 80	φ 200	φ 160	8-φ 19	SD62-1	388
80-315(I)	780	685	600	400	129	360	400	360	7.5	φ 18	φ 80	φ 200	φ 160	8-φ 19	SD62-1	413
80-315(I)A	710	685	540	400	129	360	360	360	7.5	φ 18	φ 80	φ 200	φ 160	8-φ 19	SD62-1	413
80-315(I)B	710	685	540	400	129	360	360	360	7.5	φ 18	φ 80	φ 200	φ 160	8-φ 19	SD62-1	413
100-125	524	486	400	290	104	271	260	255	17.5	φ 18	φ 100	φ 220	φ 180	8-φ 19	SD61-0.5	295
100-160	563	521	430	290	110	271	260	255	17.5	φ 18	φ 100	φ 220	φ 180	8-φ 19	SD61-0.5	295
100-160A	533	521	410	290	110	271	240	255	17.5	φ 18	φ 100	φ 220	φ 180	8-φ 19	SD61-0.5	295
100-200	564	531	440	320	105	291	280	285	22.5	φ 18	φ 100	φ 220	φ 180	8-φ 19	SD61-0.5	315
100-200A	564	531	440	320	105	291	280	285	22.5	φ 18	φ 100	φ 220	φ 180	8-φ 19	SD61-0.5	315
100-250	664	610	500	370	125	335	280	330	10	φ 18	φ 100	φ 220	φ 180	8-φ 19	SD62-1	388
100-250A	609	610	470	370	125	335	260	330	10	φ 18	φ 100	φ 220	φ 180	8-φ 19	SD62-1	388
100-250B	609	610	470	370	125	335	260	330	10	φ 18	φ 100	φ 220	φ 180	8-φ 19	SD62-1	388
100-315	780	685	600	400	130	360	400	360	7.5	φ 18	φ 100	φ 220	φ 180	8-φ 19	SD62-1	413
100-315A	710	685	540	400	130	360	360	360	7.5	φ 18	φ 100	φ 220	φ 180	8-φ 19	SD62-1	413
100-315B	710	685	540	400	130	360	360	360	7.5	φ 18	φ 100	φ 220	φ 180	8-φ 19	SD62-1	413
100-125(I)	588	541	430	330	125	291	290	295	5	φ 22	φ 100	φ 220	φ 180	8-φ 19	SD61-1	315

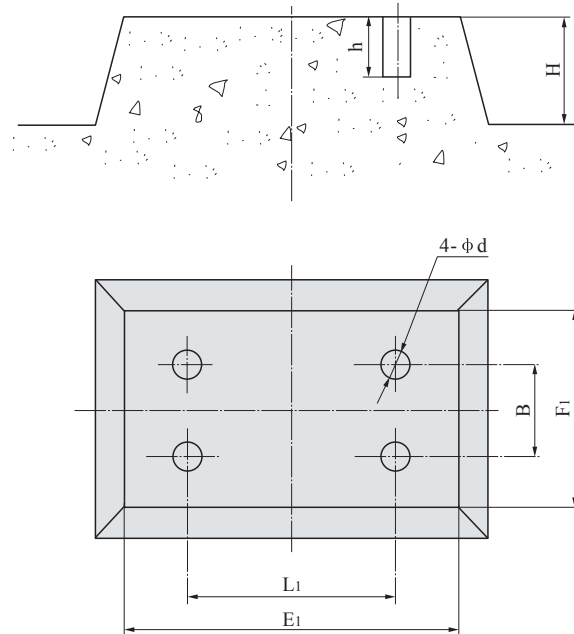
TTABC-Series of Horizontal Centrifugal Pump

TTABC-SLWD type pump dimension table

Type	Figure dimensions				Installing dimensions						In-outlet flange dimensions				Vibration-insulating pad	
	L	H	E	F	a	h	L <sub>1</sub>	B	I	4-do	DN	D	D <sub>1</sub>	n-d	Type	H <sub>1</sub>
100-160(I)	585	541	440	330	125	291	280	295	20	φ 22	φ 100	φ 220	φ 180	8-φ 19	SD61-1	315
100-200(I)	660	595	510	360	130	315	320	320	5	φ 22	φ 100	φ 220	φ 180	8-φ 19	SD61-1	365
100-200(I)A	605	595	480	360	130	315	320	320	5	φ 22	φ 100	φ 220	φ 180	8-φ 19	SD61-1	365
100-250(I)	738	615	560	370	150	315	400	330	-5	φ 22	φ 100	φ 220	φ 180	8-φ 19	SD62-1	388
100-250(I)A	738	615	560	370	150	315	400	330	-5	φ 22	φ 100	φ 220	φ 180	8-φ 19	SD62-1	388
100-250(I)B	698	615	520	370	150	315	360	330	-5	φ 22	φ 100	φ 220	φ 180	8-φ 19	SD62-1	388
100-315(I)	833	690	650	405	135	360	420	365	25	φ 22	φ 100	φ 220	φ 180	8-φ 19	SD62-1	438
100-315(I)A	788	690	600	405	135	360	380	365	30	φ 22	φ 100	φ 220	φ 180	8-φ 19	SD62-1	438
100-315(I)B	788	690	600	405	135	360	380	365	30	φ 22	φ 100	φ 220	φ 180	8-φ 19	SD62-1	438
125-160	585	546	440	330	125	291	280	295	22.5	φ 22	φ 125	φ 250	φ 210	8-φ 19	SD61-1	315
125-200	660	615	510	360	130	335	320	320	5	φ 22	φ 125	φ 250	φ 210	8-φ 19	SD61-1	365
125-200A	605	615	480	360	130	335	320	320	5	φ 22	φ 125	φ 250	φ 210	8-φ 19	SD61-1	365
125-250	738	660	560	370	150	360	400	330	10	φ 22	φ 125	φ 250	φ 210	8-φ 19	SD62-1	388
125-250A	738	660	560	370	150	360	400	330	10	φ 22	φ 125	φ 250	φ 210	8-φ 19	SD62-1	388
125-250B	698	660	520	370	150	360	360	330	10	φ 22	φ 125	φ 250	φ 210	8-φ 19	SD62-1	388
125-315	833	755	650	405	135	415	420	365	25	φ 22	φ 125	φ 250	φ 210	8-φ 19	SD62-1	438
125-315A	788	755	600	405	135	415	380	365	30	φ 22	φ 125	φ 250	φ 210	8-φ 19	SD62-1	438
125-315B	788	755	600	405	135	415	380	365	30	φ 22	φ 125	φ 250	φ 210	8-φ 19	SD62-1	438
125-125(I)	555	546	415	330	125	291	280	295	0	φ 22	φ 125	φ 250	φ 210	8-φ 19	SD61-1	315
125-160(I)	610	546	460	330	125	291	300	295	0	φ 22	φ 125	φ 250	φ 210	8-φ 19	SD61-1	315
125-160(I)A	590	546	450	330	125	291	300	295	0	φ 22	φ 125	φ 250	φ 210	8-φ 19	SD61-1	315
125-200(I)	667	595	495	360	130	315	320	325	0	φ 22	φ 125	φ 250	φ 210	8-φ 19	SD61-1	335
125-200(I)A	612	595	465	360	130	315	300	325	0	φ 22	φ 125	φ 250	φ 210	8-φ 19	SD61-1	335
125-250(I)	823	635	620	395	155	335	430	355	0	φ 22	φ 125	φ 250	φ 210	8-φ 19	SD62-1	388
125-250(I)A	713	635	520	395	155	335	350	355	0	φ 22	φ 125	φ 250	φ 210	8-φ 19	SD62-1	388
125-250(I)B	713	635	520	395	155	335	350	355	0	φ 22	φ 125	φ 250	φ 210	8-φ 19	SD62-1	388
125-315(I)	788	720	600	410	135	380	410	370	0	φ 22	φ 125	φ 250	φ 210	8-φ 19	SD62-1	438
125-315(I)A	788	720	600	410	135	380	410	370	0	φ 22	φ 125	φ 250	φ 210	8-φ 19	SD62-1	438
125-315(I)B	678	720	500	410	135	380	330	370	0	φ 22	φ 125	φ 250	φ 210	8-φ 19	SD62-1	438
125-400(I)	977	795	730	510	150	395	550	465	0	φ 22	φ 125	φ 250	φ 210	8-φ 19	SD62-1	448
125-400(I)A	917	795	695	510	150	395	525	465	0	φ 22	φ 125	φ 250	φ 210	8-φ 19	SD62-1	448
125-400(I)B	897	795	655	510	150	395	485	465	0	φ 22	φ 125	φ 250	φ 210	8-φ 19	SD62-1	448
125-400(I)C	849	795	635	510	150	395	460	465	0	φ 22	φ 125	φ 250	φ 210	8-φ 19	SD62-1	448
150-250(I)	800	720	600	410	145	385</										

### TTABC-SLW(SLWD) type pump installation basic drawing

Basic figure for rigid joint



### TTABC-SLW type pump table of basic dimension

Type	E <sub>1</sub>	F <sub>1</sub>	L <sub>1</sub>	B	D	H	h
25-110	435	350	260	165	60	200	200
25-125	450	350	270	165	60	200	200
25-125A	450	350	270	165	60	200	200
25-160	450	350	270	165	60	200	200
25-160A	450	350	270	165	60	200	200
32-100	420	360	220	175	60	200	200
32-125	435	360	235	175	60	200	200
32-125A	435	360	235	175	60	200	200
32-160	440	400	240	215	60	200	200
32-160A	440	400	240	215	60	200	200
32-200	510	400	260	215	60	200	200
32-200A	475	400	225	215	60	200	200
40-100	420	355	200	170	60	200	200
40-100A	420	355	200	170	60	200	200
40-125	440	355	200	170	60	200	200
40-125A	440	355	200	170	60	200	200
40-160	460	400	240	215	60	200	200
40-160A	440	400	240	215	60	200	200
40-160B	440	400	240	215	60	200	200
40-200	510	400	260	215	60	200	200
40-200A	510	400	260	215	60	200	200
40-200B	510	400	260	215	60	200	200

Type	E <sub>1</sub>	F <sub>1</sub>	L <sub>1</sub>	B	D	H	h
40-250	560	480	300	295	60	200	200
40-250A	560	480	300	295	60	200	200
40-250B	560	480	300	295	60	200	200
40-100(I)	440	340	200	160	60	250	300
40-100(I)A	440	340	200	160	60	250	300
40-125(I)	450	345	200	165	60	250	300
40-125(I)A	440	345	200	165	60	250	300
40-160(I)	510	395	260	215	60	250	300
40-160(I)A	480	395	240	215	60	250	300
40-160(I)B	480	395	240	215	60	250	300
40-200(I)	550	430	280	245	60	250	300
40-200(I)A	520	395	260	215	60	250	300
40-200(I)B	510	395	260	215	60	250	300
40-250(I)	670	480	400	295	60	250	300
40-250(I)A	670	480	400	295	60	250	300
40-250(I)B	570	475	300	290	60	250	300
50-100	440	340	200	160	60	250	300
50-100A	440	340	200	160	60	250	300
50-125	450	345	200	165	60	250	300
50-125A	440	345	200	165	60	250	300
50-160	510	395	260	215	60	250	300
50-160A	480	395	240	215	60	250	300

### TTABC-Series of Horizontal Centrifugal Pump

### TTABC-SLW type pump table of basic dimension

Type	E <sub>1</sub>	F <sub>1</sub>	L <sub>1</sub>	B	D	H	h
50-160B	480	395	240	215	60	250	300
50-200	550	430	280	245	60	250	300
50-200A	520	395	260	215	60	250	300
50-200B	510	385	260	215	60	250	300
50-250	670	480	400	295	60	250	300
50-250A	670	480	400	295	60	250	300
50-250B	570	475	300	290	60	250	300
50-100(I)	440	340	200	150	60	250	300
50-100(I)A	440	340	200	150	60	250	300
50-125(I)	510	365	260	175	60	250	300
50-125(I)A	480	365	240	175	60	250	300
50-160(I)	510	395	260	200	60	250	300
50-160(I)A	510	395	260	200	60	250	300
50-160(I)B	510	395	260	200	60	250	300
50-200(I)	550	430	330	240	60	250	300
50-200(I)A	550	430	330	240	60	250	300
50-200(I)B	550	430	330	240	60	250	300
50-250(I)	670	480	400	290	60	250	300
50-250(I)A	670	480	400	290	60	250	300
50-250(I)B	670	480	400	290	60	250	300
50-315(I)	800	545	500	350	60	250	300
50-315(I)A	800	545	500	350	60	250	300
50-315(I)B	730	505	500	320	60	250	300
65-100	440	340	200	150	60	250	300
65-100A	440	340	200	150	60	250	300
65-125	510	365	260	175	60	250	300
65-125A	480	365	240	175	60	250	300
65-160	510	395	260	200	60	250	300
65-160A	510	395	260	200	60	250	300
65-160B	510	395	260	200	60	250	300
65-200	550	430	330	240	60	250	300
65-200A	550	430	330	240	60	250	300
65-200B	550	430	330	240	60	250	300
65-250	670	480	400	290	60	250	300
65-250A	670	480	400	290	60	250	300
65-250B	670	480	400	290	60	250	300
65-315	800	545	500	350	60	250	300
65-315A	800	545	500	350	60	250	300
65-315B	730	505	500	320	60	250	300
65-100(I)	510	400	260	215	60	250	300
65-100(I)A	480	400	240	215	60	250	300
65-125(I)	555	440	280	250	60	250	300
65-125(I)A	525	400	260	215	60	250	300
65-160(I)	540	440	300	250	60	250	300
65-160(I)A	540	440	300	250	60	250	300
65-160(I)B	540	440	300	250	60	250	300
65-200(I)	655	480	400	295	60	250	300

Type	E <sub>1</sub>	F <sub>1</sub>	L <sub>1</sub>	B	D	H	h
65-200(I)A	655	480	400	295	60	250	300
65-200(I)B	655	480	400	295	60	250	300
65-250(I)	710	510	440	320	60	250	300
65-250(I)A	710	485	440	295	60	250	300
65-250(I)B	665	485	400	295	60	250	300
65-315(I)	820	590	540	400	60	250	300
65-315(I)A	800	560	540	370	60	250	300
65-315(I)B	800	560	540	370	60	250	300
80-100	510	400	260	215	60	250	300
80-100A	480	400	240	215	60	250	300
80-125	555	440	280	250	60	250	300
80-125A	525	400	260	215	60	250	300
80-160	540	440	300	250	60	250	300
80-160A	540	440	300	250	60	250	300
80-160B	540	440	300	250	60	250	300
80-200	655	480	400	295	60	250	300
80-200A	655	480	400	295	60	250	300
80-200B	655	480	400	295	60	250	300
80-250	710	510	440	320	60	250	300
80-250A	710	485	440	295	60	250	300
80-250B	665	485	400	295	60	250	300
80-315	820	590	540	400	60	250	300
80-315A	800	560	540	370	60	250	300
80-315B	800	560	540	370	60	250	300
80-315C	800	560	540	370	60	250	300
80-350	940	650	650	460	60	250	300
80-350A	890	590	600	460	60	250	300
80-350B	860	550	570	360	60	250	300
80-100(I)	570	430	300	245	60	250	300
80-100(I)A	540	420	300	235	60	250	300
80-125(I)	680	480	400	295	60	250	300
80-125(I)A	580	440	300	255	60	250	300
80-160(I)	680	480	400	295	60	250	300
80-160(I)A	680	480	400	295	60	250	300
80-160(I)B	680	480	400	295	60	250	300
80-200(I)	730	505	440	320	60	250	300
80-200(I)A	720	480	440	295	60	250	300
80-200(I)B	680	480	400	295	60	250	300
80-250(I)	820	545	520	355	80	300	400
80-250(I)A	820	545	520	355	80	300	400
80-250(I)B	820	545	520	355	80	300	400
80-315(I)	1000	700	660	510	80	300	400
80-315(I)A	930	640	640	450	80	300	400
80-315(I)B	930	640	640	450	80	300	400
80-315(I)C	830	550	550	360	80	300	400
100-100	570	430	300	245	60	250	300
100-100A	540	420	300	235	60	250	300



TTABC-Series of Horizontal Centrifugal Pump

TTABC-SLW type pump table of basic dimension

Type	E <sub>1</sub>	F <sub>1</sub>	L <sub>1</sub>	B	D	H	h
100-125	680	480	400	295	60	250	300
100-125A	580	440	300	255	60	250	300
100-160	680	480	400	295	60	250	300
100-160A	680	480	400	295	60	250	300
100-160B	680	480	400	295	60	250	300
100-200	730	505	440	320	60	250	300
100-200A	720	480	440	295	60	250	300
100-200B	680	480	400	295	60	250	300
100-250	820	545	520	295	80	300	400
100-250A	820	545	520	355	80	300	400
100-250B	820	545	520	355	80	300	400
100-315	1000	700	660	510	80	300	400
100-315A	930	640	640	450	80	300	400
100-315B	930	640	640	450	80	300	400
100-350	1140	710	740	520	80	300	400
100-350A	1140	710	740	520	80	300	400
100-350B	1140	710	740	520	80	300	400
125-100	580	480	320	295	80	300	400
125-100A	580	480	320	295	80	300	400
125-125	680	480	420	295	80	300	400
125-125A	680	480	420	295	80	300	400
125-160	730	505	440	320	80	300	400
125-160A	720	480	440	295	80	300	400
125-160B	680	480	420	295	80	300	400
125-200	830	545	540	355	80	300	400
125-200A	830	545	540	355	80	300	400
125-200B	750	510	460	325	80	300	400
125-250	940	640	640	450	80	300	400
125-250A	870	585	560	395	80	300	400
125-250B	850	545	540	355	80	300	400
125-315	1050	700	720	510	80	300	400
125-315A	990	700	660	510	80	300	400
125-315B	990	700	660	510	80	300	400
150-125	675	480	420	295	80	300	400
150-125A	675	480	420	295	80	300	400
150-160	720	510	440	320	80	300	400
150-160A	720	480	440	295	80	300	400
150-160B	675	480	420	295	80	300	400
150-200	745	520	440	330	80	300	400
150-200A	700	520	440	330	80	300	400
150-200B	650	520	400	330	80	300	400
150-250	750	560	440	370	80	300	400
150-250A	750	560	440	370	80	300	400
150-250B	700	560	440	370	80	300	400
150-315	845	660	520	470	80	300	400
150-315A	845	660	520	470	80	300	400
150-315B	765	660	440	470	80	300	400

Type	E <sub>1</sub>	F <sub>1</sub>	L <sub>1</sub>	B	D	H	h
150-350	1130	800	760	610	80	300	400
150-350A	1130	800	760	610	80	300	400
150-350B	1050	710	680	520	80	300	400
150-400	870	660	540	470	80	300	400
150-400A	845	660	520	470	80	300	400
150-400B	845	660	520	470	80	300	400
150-400C	805	660	480	470	80	300	400
150-500	900	650	660	580	80	300	400
150-500A	900	650	660	580	80	300	400
150-500B	850	650	610	580	80	300	400
150-250(I)	990	710	640	520	80	300	400
150-250(I)A	920	650	620	460	80	300	400
150-250(I)B	860	590	540	400	80	300	400
150-315(I)	1150	794	760	604	80	300	400
150-315(I)A	1070	700	720	510	80	300	400
150-315(I)B	1010	700	680	510	80	300	400
200-200	770	560	440	370	80	300	400
200-200A	750	560	440	370	80	300	400
200-250	770	650	460	465	80	300	400
200-250A	770	650	460	465	80	300	400
200-250B	750	650	440	465	80	300	400
200-315	850	670	520	480	80	300	400
200-315A	810	670	480	480	80	300	400
200-315B	770	670	400	480	80	300	400
200-400	880	650	540	460	80	300	400
200-400A	860	650	520	460	80	300	400
200-400B	860	650	520	460	80	300	400
200-400C	820	650	480	460	80	300	400
200-200G	780	600	440	465	80	300	400
200-200GA	780	600	440	465	80	300	400
200-250G	820	615	480	475	80	300	400
200-250GA	780	615	420	475	80	300	400
200-250GB	760	615	420	475	80	300	400
200-315G	890	655	560	515	80	300	400
200-315GA	865	655	520	515	80	300	400
200-315GB	860	655	520	515	80	300	400
200-400G	1035	660	700	520	80	300	400
200-400GA	960	660	640	520	80	300	400
200-400GB	900	660	580	520	80	300	400
200-400GC	870	660	550	520	80	300	400
200-500G	1180	750	760	610	80	300	400
200-500GA	1140	740	760	600	80	300	400
200-500GB	1070	740	760	600	80	300	400
200-500GC	780	740	680	600	80	300	400
200-200(I)	820	650	500	465	80	300	400
200-200(I)A	790	650	440	465	80	300	400
200-250(I)	850	660	520	475	80	300	400

TTABC-SLW type pump table of basic dimension

Type	E <sub>1</sub>	F <sub>1</sub>	L <sub>1</sub>	B	d	H	h
200-250(I)A	810	660	480	475	80	300	400
200-250(I)B	770	660	420	475	80	300	400
200-315(I)	970	705	620	515	80	300	400
200-315(I)A	900	705	560	515	80	300	400
200-315(I)B	870	705	520	515	80	300	400
200-400(I)	1100	710	760	520	80	300	400
200-400(I)A	1035	710	700	520	80	300	400
200-400(I)B	965	710	640	520	80	300	400
200-400(I)C	900	710	580	520	80	300	400
200-500(I)	1270	800	850	610	80	300	400
200-500(I)A	1180	800	760	610	80	300	400
200-500(I)B	1120	790	760	600	80	300	400
200-500(I)C	1070	790	760	600	80	300	400
250-250	810	660	480	470	80	300	400
250-250(I)	910	650	580	460	80	300	400
250-250(I)A	870	650	540	460	80	300	400
250-235	820	750	520	560	80	300	400
250-300	950	680	640	485	80	300	400
250-315	1020	750	700	560	80	300	400
250-315A	950	750	630	560	80	300	400
250-315B	880	750	560	560	80	300	400
250-400	1115	720	760	530	80	300	400
250-400A	1115	720	760	530	80	300	400
250-400B	1065	720	680	530	80	300	400
250-500	1255	810	860	620	80	300	400
250-500A	1230	810	860	620	80	300	400
250-500B	1180	810	780	620	80	300	400
250-500C	1145	810	740	620	80	300	400
300-235	1100	770	700	580	90	350	500
300-235A	1000	770	650	580	90	350	500
300-235B	950	770	600	580	90	350	500
300-250	1100	770	700	580	90	350	500
300-250A	1000	770	650	580	90	350	500
300-300	1140	840	800	650	90	350	500
300-300A	1020	840	740	650	90	350	500
300-300B	990	840	650	650	90	350	500
300-315	1110	770	740	580	90	350	500
300-315A	1060	770	680	580	90	350	500
300-315B	990	770	630	580	90	350	500
300-400	1190	810	780	620	90	350	500
300-400A	1180	810	780	610	90	350	500
300-450	1315	840	850	650	90	350	500
300-450A	1250	840	780	650	90	350	500
300-450B	1250	840	780	650	90	350	500
300-450C	1160	840	720	650	90	350	500
300-500	1650	900	1200	710	90	350	500
300-500A	1600	900	1160	710	90	350	500

Type	E <sub>1</sub>	F <sub>1</sub>	L <sub>1</sub>	B	D	H	h
300-500B	1600	900	1160	710	90	350	500
300-500C	1370	900	900	710	90	350	500
350-235	1050	675	640	485	90	350	500
350-300	1150	840	700	650	90	350	500
350-315	1160	810	760	620	90	350	500
350-400	1335	810	880	620	90	350	500
350-450	1220	1050	900	840	90	350	500
350-450A	1170	1050	850	840	90	350	500
350-500	1570	950	1020	750	90	350	500
350-525	1465	1050	1085	840	90	350	500
350-525A	1285	1050	955	840	90	350	500
350-525B	1285	1050	955	840	90	350	500
350-600	1500	1050	1125	840	120	350	500
350-600A	1465	1050	1085	840	120	350	500
350-600B	1465	1050	1085	840	120	350	500
350-315G	1315	810	850	620	90	350	500
350-315GA	115						

TTABC-Series of Horizontal Centrifugal Pump

TTABC-SLWD type pump table of basic dimension

Type	E <sub>1</sub>	F <sub>1</sub>	L <sub>1</sub>	B	D	H	h
40-160	420	400	200	215	60	200	200
40-200	435	400	200	215	60	200	200
40-250	470	480	240	295	60	200	200
40-250A	470	480	240	295	60	200	200
40-250B	470	480	240	295	60	200	200
40-125(I)	430	345	180	165	60	250	300
40-160(I)	450	395	200	215	60	250	300
40-200(I)	460	395	220	215	60	250	300
40-250(I)	500	475	260	290	60	250	300
40-250(I)A	500	475	260	290	60	250	300
40-250(I)B	500	475	260	290	60	250	300
50-125	430	345	180	165	60	250	300
50-160	450	395	200	215	60	250	300
50-200	460	395	220	215	60	250	300
50-250	500	475	260	290	60	250	300
50-250A	500	475	260	290	60	250	300
50-250B	500	475	260	290	60	250	300
50-125(I)	440	365	200	175	60	250	300
50-160(I)	440	390	200	205	60	250	300
50-200(I)	445	420	200	235	60	250	300
50-200(I)A	445	420	200	235	60	250	300
50-250(I)	515	475	260	290	60	250	300
50-250(I)A	490	475	260	290	60	250	300
50-250(I)B	490	475	260	290	60	250	300
50-315(I)	540	505	280	320	60	250	300
50-315(I)A	540	505	280	320	60	250	300
50-315(I)B	540	505	280	320	60	250	300
65-125	440	365	200	175	60	250	300
65-160	440	390	200	205	60	250	300
65-200	445	420	200	235	60	250	300
65-250	515	475	260	290	60	250	300
65-250A	490	475	260	290	60	250	300
65-250B	490	475	260	290	60	250	300
65-315	540	505	280	320	60	250	300
65-315A	540	505	280	320	60	250	300
65-315B	540	505	280	320	60	250	300
65-125(I)	445	400	200	215	60	250	300
65-160(I)	445	425	240	240	60	250	300
65-200(I)	510	425	260	240	60	250	300
65-200(I)A	485	425	240	240	60	250	300
65-250(I)	525	480	260	295	60	250	300
65-250(I)A	525	480	260	295	60	250	300
65-250(I)B	525	480	260	295	60	250	300
65-315(I)	570	510	300	320	60	250	300
65-315(I)A	570	510	300	320	60	250	300
65-315(I)B	540	510	280	320	60	250	300
80-125	445	400	200	215	60	250	300
80-160	445	425	240	240	60	250	300
80-200	510	425	260	240	60	250	300
80-200A	485	425	240	240	60	250	300
80-250	525	480	260	295	60	250	300
80-250A	525	480	260	295	60	250	300
80-250B	525	480	260	295	60	250	300
80-315	570	510	300	320	60	250	300
80-315A	570	510	300	320	60	250	300
80-315B	540	510	280	320	60	250	300
80-125(I)	500	440	260	255	60	250	300
80-160(I)	530	440	260	255	60	250	300
80-160(I)A	510	440	240	255	60	250	300

Type	E <sub>1</sub>	F <sub>1</sub>	L <sub>1</sub>	B	D	H	h
80-200(I)	540	470	280	285	60	250	300
80-200(I)A	540	470	280	285	60	250	300
80-250(I)	600	520	280	330	60	250	300
80-250(I)A	570	520	260	330	60	250	300
80-250(I)B	570	520	260	330	60	250	300
80-315(I)	700	550	400	360	60	250	300
80-315(I)A	640	550	360	360	60	250	300
80-315(I)B	640	550	360	360	60	250	300
100-125	500	440	260	255	60	250	300
100-160	530	440	260	255	60	250	300
100-160A	510	440	240	255	60	250	300
100-200	540	470	280	285	60	250	300
100-200A	540	470	280	285	60	250	300
100-250	600	520	280	330	60	250	300
100-250A	570	520	260	330	60	250	300
100-250B	570	520	260	330	60	250	300
100-315	700	550	400	360	60	250	300
100-315A	640	550	360	360	60	250	300
100-315B	640	550	360	360	60	250	300
100-125(I)	530	480	290	295	80	300	400
100-160(I)	540	480	280	295	80	300	400
100-200(I)	610	510	320	320	80	300	400
100-200(I)A	580	510	320	320	80	300	400
100-250(I)	660	520	400	330	80	300	400
100-250(I)A	660	520	400	330	80	300	400
100-250(I)B	620	520	360	330	80	300	400
100-315(I)	750	555	420	365	80	300	400
100-315(I)A	700	555	380	365	80	300	400
100-315(I)B	700	555	380	365	80	300	400
125-160	540	480	280	295	80	300	400
125-200	610	510	320	320	80	300	400
125-200A	580	510	320	320	80	300	400
125-250	660	520	400	330	80	300	400
125-250A	660	520	400	330	80	300	400
125-250B	620	520	360	330	80	300	400
125-315	750	555	420	365	80	300	400
125-315A	700	555	380	365	80	300	400
125-315B	700	555	380	365	80	300	400
125-125(I)	540	480	280	295	80	300	400
125-160(I)	560	480	300	295	80	300	400
125-160(I)A	560	480	300	295	80	300	400
125-200(I)	610	520	320	325	80	300	400
125-200(I)A	580	520	300	325	80	300	400
125-250(I)	780	545	430	355	80	300	400
125-250(I)A	700	545	350	355	80	300	400
125-250(I)B	700	545	350	355	80	300	400
125-315(I)	780	560	410	370	80	300	400
125-315(I)A	780	560	410	370	80	300	400
125-315(I)B	700	560	330	370	80	300	400
125-400(I)	870	650	550	465	80	300	400
125-400(I)A	850	650	525	465	80	300	400
125-400(I)B	810	650	485	465	80	300	400
125-400(I)C	790	650	460	465	80	300	400
150-250(I)	700	560	420	370	80	300	400
150-250(I)A	650	560	370	370	80	300	400
150-250(I)B	650	560	370	370	80	300	400
150-315(I)	760	660	440	470	80	300	400
150-315(I)A	760	660	440	470	80	300	400
150-315(I)B	730	660	420	470	80	300	400

Reference table for pipeline loss

Pipe diameter (mm)	Capacity(L/s)										
	1	2	4	6	8	10	15	20	30	40	
25	32.7	13.0									
38	3.5	14									
50	0.8	3.1	13	29							
65		1.6	3.2	7.1	13	20					
75		0.4	0.8	3.3	5.9	9.6	21.6				
100			0.23	0.8	1.3	2.1	6.8	8.6	13	19.4	
125				0.23	0.4	0.63	1.3	2.7	4.1	5.9	10.7
150					0.16	0.26	0.58	1.1	1.6	2.3	4.2
175						0.11	0.27	0.5	0.74	1.05	1.9
200							0.13	0.26	0.37	0.53	0.93
250								0.07	0.12	0.18	0.30
300									0.07	0.12	0.19

Brief table for the frictional loss of a straight pipe (for evaluation), the lost meters of a 100m straight pipe takes the newly iron pipe as the standard and multiple for the old one.

Limit of the maximum flow for a pipe with a certain diameter

Pipeline diameter (mm)	Maximum flow (L/s)	Maximum flow rate (m/s)
25	1	2.04
38	2.5	1.69
50	4.17	2.12
65	6.67	2.01
75	10.0	2.26
100	18.4	2.33
125		
150		
175		
200		
250		
300		

The length of a straight pipe converted into from both valve and elbow(each)

Variety	Convert into the times of the diameter of a straight pipe	Remark
Standard elbow	12	Multiple in case of unopen
Fully opened gate valve	25	
Back valve	100	
Foot valve	100	Partial block-up multiplied

Note: For instance, a 100mm diameter pipe, the foot valve has a 100x100=10000mm=10m diameter when which is converted into 100 times that of the pipe's diameter. Suppose the flow is 8L/s. Looked into the above table, the loss of the straight pipe is 1.3m each 100m, then the one for 100mm is 0.13m, that is, for a 100mm foot valve with a flow 8L/s, its head loss is 0.13m.

Note: The pipeline loss would be made greatly increased once the limit is over.





TORONTECH™

Pumps and Valves

TTABC



TORONTECH™

Torontech™ – North America  
TEL: +1 (416) 368-2721  
FAX: +1 (416) 981-7652  
E-MAIL: [sales@torontech.com](mailto:sales@torontech.com)  
WEB: [www.torontech.com](http://www.torontech.com)

Please contact us for your nearest local office or distributor

Torontech Inc. - Canada  
North American Headquarters  
Tel: +1.416.368.2721  
Fax: +1.416.981.7652  
Email: [sales@torontech.com](mailto:sales@torontech.com)  
[www.torontech.com](http://www.torontech.com)

Torontech Inc. - Canada  
North American Headquarters  
Tel: +1.416.368.2721  
Fax: +1.416.981.7652  
Email: [sales@torontech.com](mailto:sales@torontech.com)  
[www.torontech.com](http://www.torontech.com)