



CATALOGUE

2014

TTABB-Series of Single Stage Single Suction Vertical Centrifugal Pump



PRODUCT BROCHURE

TORONTECH
PUMPS

TORONTECH.COM



Torontech™ is a leading North American based international manufacturer and supplier of pumps, pipes, valves & actuators. The Torontech™ group has established an extensive network in the USA as well as international markets and remains to be a preferred vendor of choice supplying quality pumps for today's leading corporations.

Creating comprehensive solutions for our clients has always been the core value of our company. From sales, to order execution, and post-sales support; every staff member is here to assist you in selecting the solution that best suits your unique requirements and budget.

The Torontech™ group offers a complete range of quality pumps that are ANSI to ISO approved and engineered to last, ensuring your company continuous production without interruptions.

Since the beginning, we have succeeded in only offering quality manufactured pumps that are currently being used worldwide. We offer the best value for your investment and provide world-class support.

Due to the demand for our quality pumps, Torontech™ has experience explosive growth primarily in the oil & gas, water filtration and chemical refinery industries.

We offer an extensive range of solutions and products for oil & gas projects, refineries, petrochemical plants, and marine applications. Our main class of pumps includes API (American Petroleum Institute) Standard, Mining, Water & Sewage and Firefighting applications. The pumps are offered in various configurations depending on orientation of the pump, required head and type of fuel used for operation.

TTABB-Series of Single Stage Single Suction Vertical Centrifugal Pump

CONTENTS

Outline of the product, Product features	1
Working conditions, Model meaning	2
Chief usage	3
The configuration of TTABB-SLS(SLSD) type pump	4
The configuration of TTABB-SLS(SLSD) atlas of style	4
TTABB-SLS type pump performance data	6
TTABB-SLSD type pump performance data	13
TTABB-SLS(SLSD) type pump dimension figure dimension table	16
TTABB-SLS type pump dimension table	17
TTABB-SLSD type pump dimension table	24
Pump spare parts and installation basic figure table	26
Installation basic drawing and table of dimension for SLS type pump non-isolation	27
installation methods for pump	28
Reference table for pipeline loss	29

Outline of the product

Model TTABB-SLS single-stage single-suction vertical centrifugal pump is a high-effective energy-saving product successfully designed by adopting the property data of TTABB-IS model centrifugal pump. The pump is complaint to ISO2858 an ideal product to replace IS horizontal pumps and TTABB-DL model pumps.
The flow range is 1.5~2400m³/h and the available head is ranging from 4.5 to 160m.

There are more than 250 specifications to select from for this pump series. And as the flow medium and temperature differs, clients can also have TTABB-SLR hot-water pump, TTABB-SLH chemical pump, TTABB-SLY (YG) oil pump and TTABB-SLHY vertical non-explosive chemical pump as other options. These series of the products have same properties however are designed for different applications.

Product features

1. Compact structure and land occupation ensure the pump can be installed in the sites tight in space.

2. Easy to mount. Because of the same apertures of both inlet and outlet and they both located on the same central line, the pump can be directly mounted on any part of the pipeline just as a valve. The motor is covered with a rain proof cap to ensure the operation can be carried out outdoors. Mounting feet are equipped with the pump so that it can be stably mounted.

3. Stable running, low noise, high concentricity of components. Low noise bearings are used for the motor. The impellers are of best dynamic and static balance,

so there is minimum vibration at operation.

4. No leakage. The shaft is mechanically sealed with carbide alloy wearable material, settling the regular leakage problem of centrifugal pump when filling seal, which extends the duration of the pump and also ensures the operation environment clean and tidy.

5. Easy to maintain. Not necessary to remove the pipeline for regular maintenance

6. The pump can be offered in vertical or horizontal type with various mounting ways depending on the operation condition of the sites. Parallel or in series option can also be provided to meet the required flow and head.

TTABB-Series of Single Stage Single Suction Vertical Centrifugal Pump

Working conditions

1. Maximum working pressure of pump system is ≤ 1.6 MPa, that is to say the pressure at the suction + the head ≤ 1.6 MPa. The pressure in static test is 2.5MPa, please advice the pressure for the system at work when put the order. If the working pressure is higher than 1.6MPa, please inform us before hand, so that we can use proper cast steel material for the overflow and joint parts.

2. Proper medium: the medium for

pure water pumps should contain no corrosive liquid and the volume of the solid in the media should not be over 0.1% of the media volume and the grain-iness should be less than 0.2mm. Please notify us if the media has the grain when ordering.

3. The ambient temperature should be lower than 40°C and the above-sea level should be less than 1000m with the relative humidity no more than 95%.

Major applications

1. TTABB- SLS series vertical centrifugal pump is used to transport pure-water and other liquids have similar physical and chemical properties to pure-water. The pump can be used in industrial and city water supply and drainage, booster water supply in high rise buildings, gardens irrigation, fire-fighting, remote water supply, heating systems, circulation booster of cold & hot water in bath rooms, the temperature of operation medium should be below 80°C.

2. TTABB- SLR series vertical hot-water pump is used for the hot-water boosting circulation systems and the heat transfer systems where heat-supply systems are used, such as the power station, thermal power station, residual hest utilization, metallurgy, chemical, textile, wood-processing, paper-making industries, the operation temperature should be lower than 100°C .

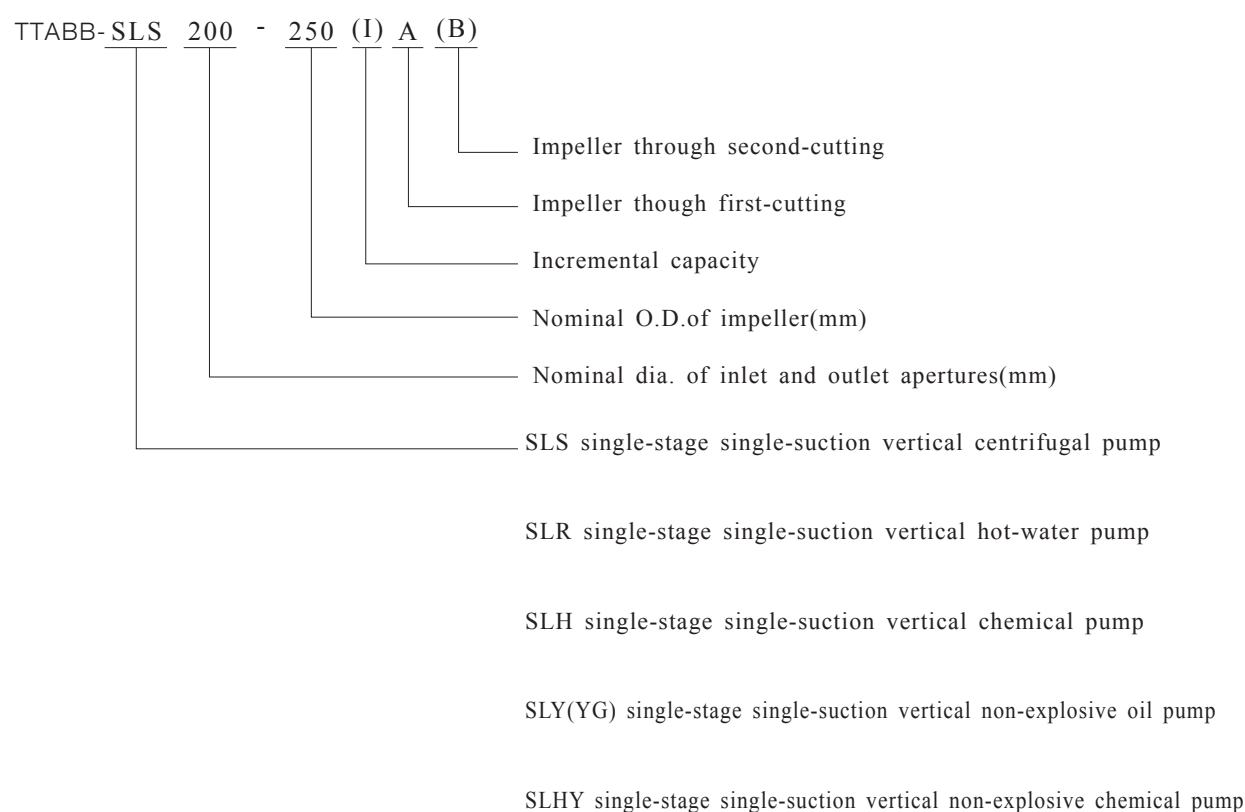
3. TTABB- SLH series vertical chemical pump is used to transport the liquids containing no solid grain. The corrosivity and the viscosity of the media should be similar to water. It is widely

used in light & textile industry, petroleum, chemical industry, metallurgy, power station, paper-making, food processing, pharmaceutical and etc., the operation temperature is from -20 to 100°C.

4. TTABB- SLY (YG) series vertical non-explosive oil pump can be used in light & textile, chemical, mechanical industries to transport non-corrosive, flammable, explosive liquids. The temperature of the media should be from -20 to 100°C and with density less than 1000kg/m³.

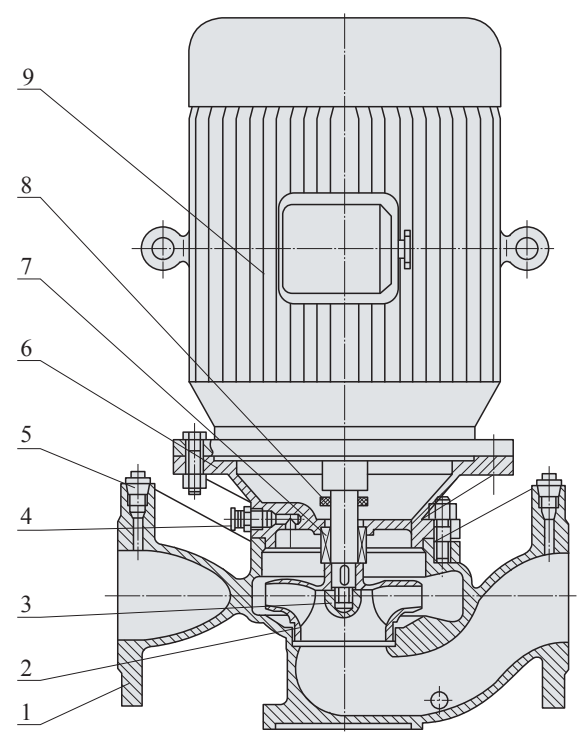
5. TTABB- SLHY series vertical non-explosive chemical pump is used to transport the liquids containing no solid grain. The corrosivity and the viscosity of the media should be similar to water. It is widely used in light & textile industry, petroleum, chemical industry, metallurgy, power station, paper-making, food processing, pharmaceutical and etc., the operation temperature is from -20 to 100°C.

Model meaning



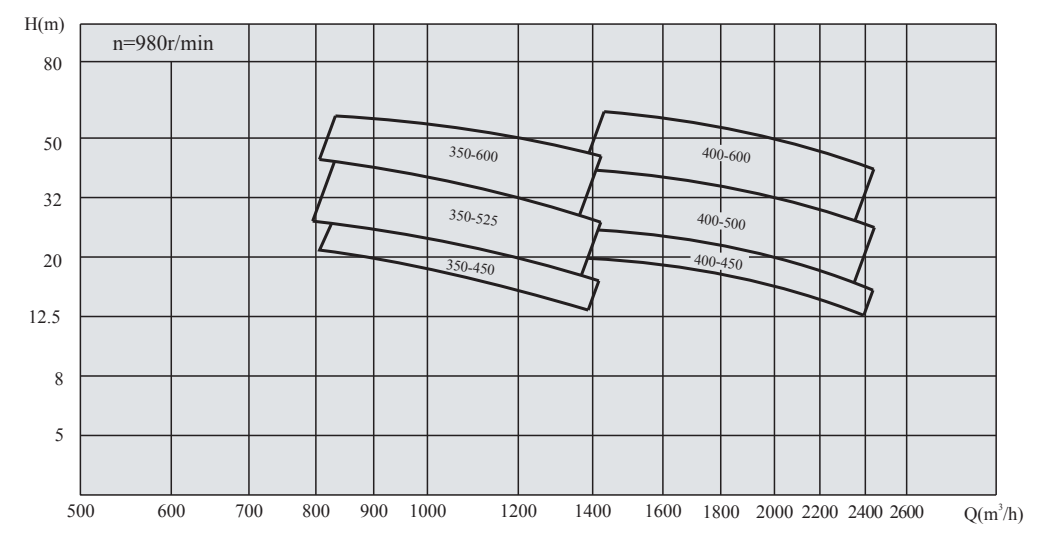
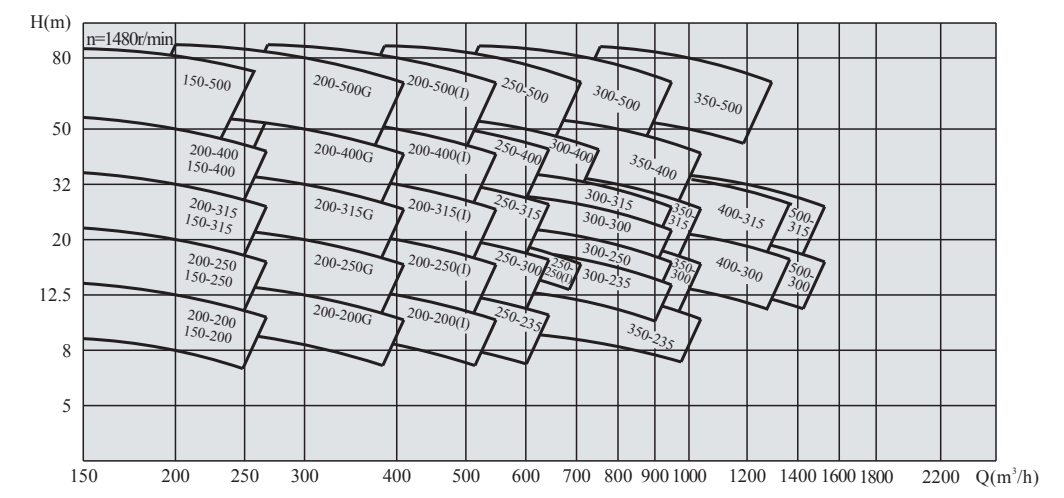
TTABB-Series of Single Stage Single Suction Vertical Centrifugal Pump

The configuration of TTABB-SLS(SLSD) type pump

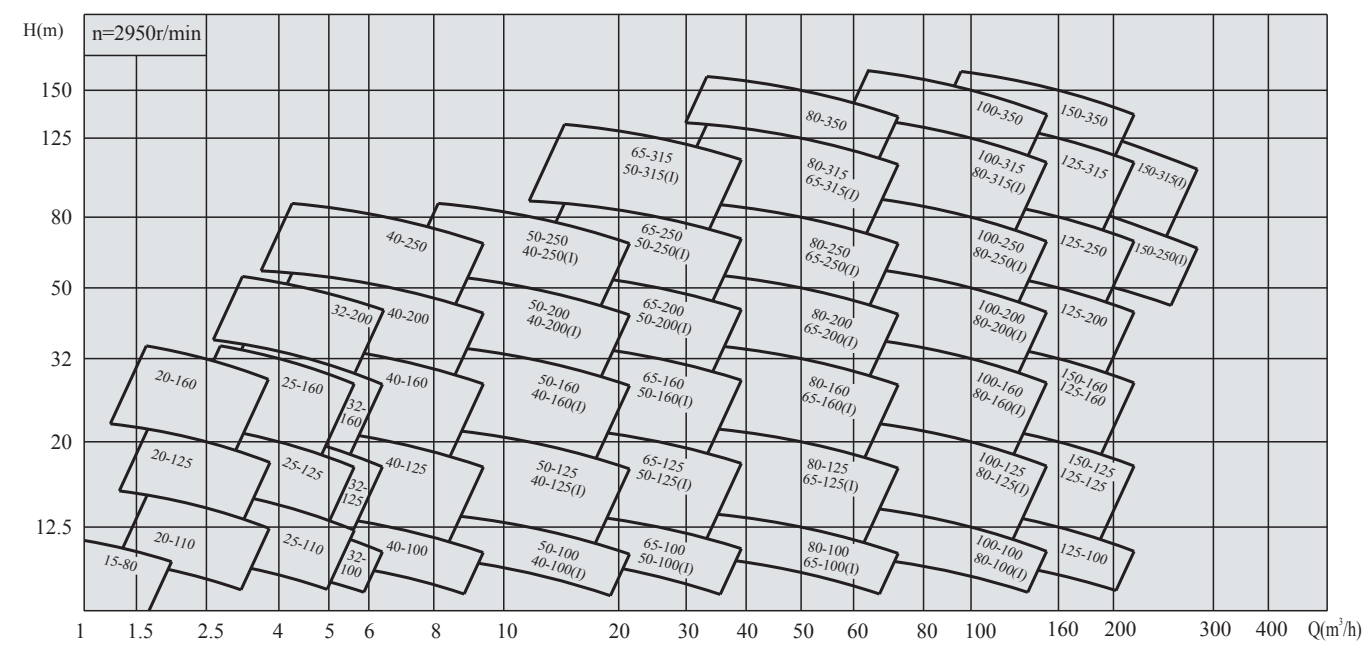


No.	Name	Quantity
1	Pump casing	1
2	Impeller	1
3	Impeller nut	1
4	Air discharge valve	1
5	Plug	3
6	Pump cover	1
7	Mechanical seal	1
8	Water-bloching ring	1
9	Motor	1

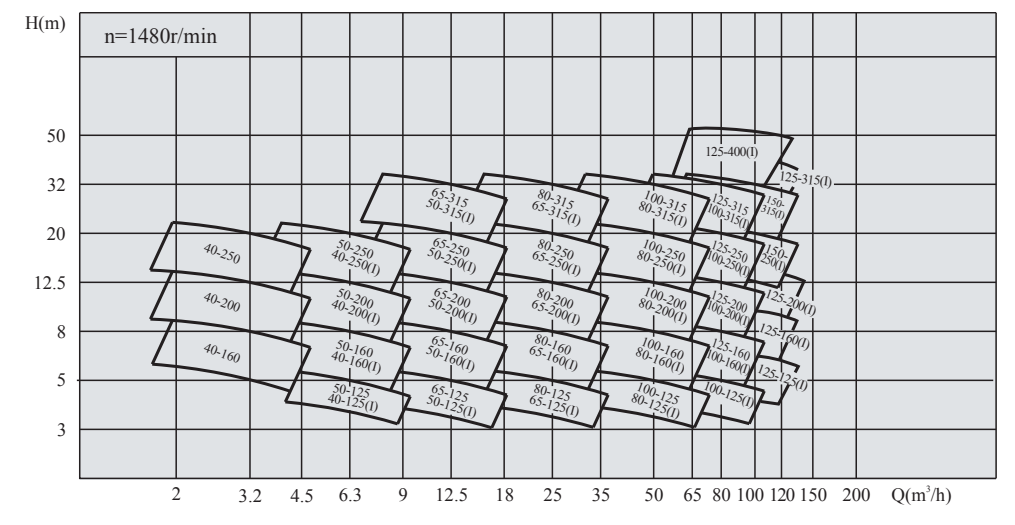
TTABB-SLS atlas of style



TTABB-SLS atlas of style



TTABB-SLSD atlas of style





TTABB-Series of Single Stage Single Suction Vertical Centrifugal Pump

TTABB-SLS type pump performance data

Type	Capacity		Head (m)	Power (kW)	Speed (r/min)	Eff. (%)	(NPSH) _r (m)	Weight (Kg)
	(m ³ /h)	(L/s)						
SLS15-80	1.1 1.5 2	0.3 0.42 0.56	8.5 8 7	0.18	2800	32.1	2.3	20
SLS20-110	1.8 2.5 3.3	0.5 0.69 0.91	16 15 13.5	0.37	2800	32.4	2.3	25
SLS20-125	1.8 2.5 3.3	0.5 0.69 0.91	21 20 18.6	0.75	2800	28.1	2.3	35
SLS20-160	1.8 2.5 3.3	0.5 0.69 0.91	33 32 30	1.5	2950	18.8	2.3	38
SLS25-110	2.8 4 5.2	0.78 1.11 1.44	16 15 13.5	0.55	2950	41.2	2.3	31
SLS25-125	2.8 4 5.2	0.78 1.11 1.44	20.5 20 18	0.75	2950	37.5	2.3	35
SLS25-125A	2.5 3.6 4.6	0.39 1 1.28	17 16 14.5	0.75	2950	36.6	2.3	35
SLS25-160	2.8 4 5.2	0.78 1.11 1.44	33 32 30	1.5	2950	29.9	2.3	44
SLS25-160A	2.6 3.7 4.9	0.72 1.03 1.36	29 28 26	1.1	2950	29.0	2.3	40
SLS32-100	3.5 4.5 5.3	0.97 1.24 1.47	14.5 12.5 11	0.55	2950	45.9	2.3	35
SLS32-125	3.5 5 6.5	0.97 1.39 1.8	22 20 18	1.1	2950	42.2	2.3	38
SLS32-125A	3.1 4.5 5.8	0.86 1.25 1.61	20 16 10	0.75	2950	41.2	2.3	37
SLS32-160	3.5 4.5 6	0.97 1.25 1.67	34 32 26	1.5	2950	32.8	2.3	49
SLS32-160A	3.5 4.5 6	0.97 1.25 1.67	26.5 25 19	1.1	2950	31.8	2.3	43
SLS32-200	3.5 4.5 5.5	0.97 1.25 1.53	53 50 45	3	2950	23.8	2.3	68
SLS32-200A	3 4 5	1.08 1.11 1.17	43 40 37	2.2	2950	22.9	2.3	58
SLS40-100	4.4 6.3 8.3	1.22 1.75 2.31	13.2 12.5 11.5	0.55	2950	51.7	2.3	36
SLS40-100A	3.9 5.6 7.4	1.08 1.56 2.06	10.5 10 9	0.55	2950	50.7	2.3	37
SLS40-125	4.4 6.3 8.3	1.22 1.75 2.31	21 20 18	1.1	2950	46.0	2.3	45
SLS40-125A	3.9 5.6 7.4	1.08 1.56 2.06	17.5 16 14.5	0.75	2950	45.0	2.3	38
SLS40-160	4.4 6.3 8.3	1.22 1.75 2.31	33 32 30	2.2	2950	39.6	2.3	52
SLS40-160A	4.1 5.9 7.5	1.14 1.64 2.08	29 28 26.5	1.5	2950	38.7	2.3	42
SLS40-160B	3.8 5.5 7.0	1.06 1.53 1.94	25.5 24 21.5	1.1	2950	37.7	2.3	35

Type	Capacity		Head (m)	Power (kW)	Speed (r/min)	Eff. (%)	(NPSH) _r (m)	Weight (Kg)
	(m ³ /h)	(L/s)						
SLS40-200	4.4 6.3 8.3	1.22 1.75 2.31	51 50 48	4	2950	31.6	2.3	79
SLS40-200A	4.1 5.9 7.8	1.14 1.64 2.17	45 44 42	4	2950	30.7	2.3	67
SLS40-200B	3.7 5.3 7	1.03 1.47 1.94	38 36 34.5	3	2950	29.7	2.3	57
SLS40-250	4.4 6.3 8.3	1.22 1.75 2.31	82 80 74	7.5	2950	21.4	2.3	123
SLS40-250A	4.1 5.9 7.8	1.14 1.64 2.17	72 70 65	5.5	2950	20.4	2.3	115
SLS40-250B	3.8 5.5 7	1.06 1.53 1.94	61.5 60 56	5.5	2950	19.5	2.3	104
SLS40-100(I)	8.8 12.5 16.3	2.44 3.47 4.53	13.2 12.5 11.3	1.1	2950	61.2	2.3	40
SLS40-100(I)A	8 11 15	2.22 3.05 4.03	10.6 10 9	0.75	2950	60.2	2.3	38
SLS40-125(I)	8.8 12.5 16.3	2.44 3.47 4.53	21.2 20 17.5	1.5	2950	57.1	2.3	47
SLS40-125(I)A	8 11 15	2.22 3.05 4.17	17 16 14	1.1	2950	56.1	2.3	40
SLS40-160(I)	8.8 12.5 16.3	2.44 3.47 4.53	33 32 30	3	2950	51.4	2.3	67
SLS40-160(I)A	8.2 12 15.2	2.28 3.33 4.22	29 28 26	2.2	2950	50.4	2.3	56
SLS40-160(I)B	7.3 10 14	2.03 2.78 3.89	23 22 20.5	2.2	2950	49.5	2.3	53
SLS40-200(I)	8.8 12.5 16.3	2.44 3.47 4.53	51.2 50 48	5.5	2950	45.3	2.3	110
SLS40-200(I)A	8.3 11.7 15.3	2.32 3.25 4.25	45 44 42	4	2950	44.4	2.3	90
SLS40-200(I)B	7.5 10.5 13.8	2.08 2.94 3.83	37 36 34	3	2950	43.4	2.3	78
SLS40-250(I)	8.8 12.5 16.3	2.44 3.47 4.53	81.2 80 77.5	11	2950	36.9	2.3	175
SLS40-250(I)A	8.2 11.6 15.2	2.28 3.22 4.22	71 70 68	11	2950	35.9	2.3	125
SLS40-250(I)B	7.6 10.8 14	2.11 3 3.89	61.4 60 58	7.5	2950	35.0	2.3	118
SLS50-100	8.8 12.5 16.3	2.44 3.47 4.53	13.5 12.5 11.3	1.1	2950	61.2	2.3	40
SLS50-100A	8 11 14.5	2.22 3.05 4.03	11 10 9	0.75	2950	60.2	2.3	38
SLS50-125	8.8 12.5 16.3	2.44 3.47 4.53	21.5 20 17.5	1.5	2950	57.1	2.3	47
SLS50-125A	8 11 14.5	2.22 3.05 4.03	17 16 14	1.1	2950	56.1	2.3	40

TTABB-SLS type pump performance data

Type	Capacity		Head (m)	Power (kW)	Speed (r/min)	Eff. (%)	(NPSH) _r (m)	Weight (Kg)
	(m ³ /h)	(L/s)						
SLS50-160	8.8 12.5 16.3	2.44 3.47 4.53	33 32 30	3	2950	51.4	2.3	68
SLS50-160A	8.2 11.7 15.2	2.28 3.25 4.22	29 28 26	2.2	2950	50.4	2.3	58
SLS50-160B	7.3 10.4 13.5	2.38 2.89 3.75	23 22 20.5	2.2	2950	49.5	2.3	53
SLS50-200	8.8 12.5 16.3	2.44 3.47 4.53	52 50 48	5.5	2950	45.0	2.3	108
SLS50-200A	8.3 11.7 15.3	2.31 3.25 4.25	45.8 44 42	4	2950	44.4	2.3	88
SLS50-200B	7.5 10.6 13.8	2.08 2.94 3.83	37 36 34	3	2950	43.4	2.3	78
SLS50-250	8.8 12.5 16.3	2.44 3.47 4.53	82 80 77.5	11	2950	36.9	2.3	175
SLS50-250A	8.2 11.6 15.2	2.28 3.22 4.22	71.5 70 68	11	2950	35.9	2.3	125
SLS50-250B	7.6 10.8 14	2.11 3 3.89	61.5 60 58	7.5	2950	35.0	2.3	118
SLS50-100(I)	17.5 25 32.5	4.86 6.94 9.03	13.5 12.5 10.5	1.5	2950	67.4	2.5	55
SLS50-100(I)A	15.6 22.3 29	4.3 6.19 8.1	11 10 8.5	1.1	2950	66.4	2.5	48
SLS50-125(I)	17.5 25 32.5	4.86 6.94 9.03	21.5 20 18	3	2950	65.9	2.5	76
SLS50-125(I)A	15.6 22.3 29	4.33 6.19 8.1	17 16 13.6	2.2	2950	65.0	2.5	66
SLS50-160(I)	17.5 25 32.5	4.86 6.94 9.03	34.4 32 27.5	4	2950	61.8	2.5	85
SLS50-160(I)A	16.4 23.4 30.4	4.56 6.5 8.44	30 28 24	4	2950	60.9	2.5	84
SLS50-160(I)B	15 21.6 28	4.17 6 7.78	26 24 20.6	3	2950	59.9	2.5	73
SLS50-200(I)	17.5 25 32.5	4.86 6.94 9.03	52.7 50 45.5	7.5	2950	56.4	2.5	146
SLS50-200(I)A	16.4 23.5 30.5	4.56 6.53 8.47	46.4 44 40	7.5	2950	55.5	2.5	144
SLS50-200(I)B	15 22 28	4.2 6.06 7.78	40 38 34	5.5	2950	54.5	2.5	136
SLS50-250(I)	18 25 33	5 6.94 9.17	82 80 76.2	15	2950	50.1	2.5	200
SLS50-250(I)A	16 23 31	4.44 6.5 8.61	71.5 70 67	15	2950	49.1	2.5	185
SLS50-250(I)B	15 22 28	4.17 6 7.78	61 60 57.4	11	2950	48.2	2.5	135
SLS50-315(I)	18 25 33	5 6.94 9.17	128 125 122	30	2950	42.1	2.5	330

Type	Capacity		Head (m)	Power (kW)	Speed (r/min)	Eff. (%)	(NPSH) _r (m)	Weight (Kg)
	(m ³ /h)	(L/s)						
SLS50-315(I)A	17 24 31	4.72 6.67 8.6	115 113 112	30	2950	41.1	2.5	270
SLS50-315(I)B	16 23 29	4.44 6.4 8	103 101 98	22	2950	40.2	2.5	230
SLS65-100	17.5 25 32.5	4.86 6.94 9.03	13.7 12.5 10.5	1.5	2950	67.4	2.5	54
SLS65-100A	15.6 22.3 29	4.93 6.19 8.1	11 10 8.4	1.1	2950	66.4	2.5	48
SLS65-125	17.5 25 32.5	4.86 6.94 9.03	21.5 20 18	3	2950	65.9	2.5	68
SLS65-125A	15.6 22.3 29	4.33 6.19 8.1	17 16 14.4	2.2	2950	65.0	2.5	58
SLS65-160	17.5 25 32.5	4.86 6.94 9.03	34.4 32 27.5	4	2950	61.8	2.5	85
SLS65-160A	16.4 23.4 30.4	4.56 6.5 8.44	30 28 24	4	2950	60.9	2.5	72
SLS65-160B	15 21.6 28	4.17 6 7.78	26 24 20.6	3	2950	59.9	2.5	60
SLS65-200	17.5 25 32.5	4.86 6.94 9.03	52.7 50 42.5	7.5	2950	56.4	2.5	116
SLS65-200A	16.4 23.5 30.5	4.56 6.53 8.47	46.4 44 40	7.5	2950	55.5	2.5	106
SLS65-200B	15.2 21.8 28.3	4.22 6.06 7.86	40 38 34.5	5.5	2950	54.5	2.5	105
SLS65-250	17.5 25 32.5	4.86 6.94 9.03	82 80 76.5	15	2950	50.1	2.5	192
SLS65-250A	16.4 23.4 30.5	4.56 6.5 8.47	71.5 70 67	15	2950	49.1	2.5	180
SLS65-250B	15 21.6 28	4.17 6 7.78	61 60 57.4	11	2950	48.2	2.5	130
SLS65-315	17.5 25 32.5	4.86 6.94 9.03	127 125 122	30	2950	42.1	2.5	340
SLS65-315A	16.6 23.7 31	4.6 6.58 8.6	115 113 110	30	2950	41.1	2.5	325
SLS65-315B	15.7 22.5 29.2	4.36 6.25 8	103 101 98	22	2950	40.2	2.5	255
SLS65-100(I)	35 50 65	9.72 13.9 18.1	13.8 12.5 10	3	2950	71.1	3	74
SLS65-100(I)A	31 45 58	8.7 12.4 16.1	11 10 8	2.2	2950	70.1	3	64
SLS65-125(I)	35 50 65	9.72 13.9 18.1	22 20 17	5.5	2950	71.2	3	116
SLS65-125(I)A	31.3 45 58	8.7 12.5 16.1	17.5 16 13.6	4	2950	70.2	3	95
SLS65-160(I)	35 50 65	9.72 13.9 18.1	35 32 28	7.5	2950	69.6	3	118

TTABB-Series of Single Stage Single Suction Vertical Centrifugal Pump

TTABB-SLS type pump performance data

Type	Capacity		Head (m)	Power (kW)	Speed (r/min)	Eff. η (%)	(NPSH) _r (m)	Weight (Kg)
	(m ³ /h)	(L/s)						
SLS65-160(I)A	32.7 47 61	9.1 13 16.9	30.6 28 24	7.5	2950	68.7	3	108
SLS65-160(I)B	30.3 43.3 56.3	8.4 12 15.6	26 24 21	5.5	2950	67.7	3	88
SLS65-200(I)	35 50 65	9.72 13.9 18.1	53.5 50 46	15	2950	65.8	3	190
SLS65-200(I)A	32.8 47 61	9.1 13.3 16.9	47 44 40	11	2950	64.9	3	180
SLS65-200(I)B	30.5 43.5 56.3	8.5 12.1 15.7	40.6 36 33.4	11	2950	63.9	3	130
SLS65-250(I)	35 50 65	9.75 13.9 18.1	83 80 72	22	2950	60.1	3	260
SLS65-250(I)A	32.5 46.7 61	9 13 16.9	73 70 63	18.5	2950	59.2	3	218
SLS65-250(I)B	30 43.3 56	8.3 12 15.6	62 60 54	15	2950	58.2	3	198
SLS65-315(I)	35 50 65	9.72 13.9 18.1	128 125 122	45	2950	54.1	3	375
SLS65-315(I)A	33 47 61	9 12.9 16.8	112 110 107	37	2950	53.1	3	370
SLS65-315(B)	31 45 58	8.6 12.4 16.1	102 100 98	30	2950	52.2	3	350
SLS80-100	35 50 65	9.72 13.9 18.1	13.8 12.5 10	3	2950	71.1	3	74
SLS80-100A	31.3 44.7 58	8.7 12.4 16.1	11 10 8	2.2	2950	70.1	3	64
SLS80-125	35 50 65	9.72 13.9 18.1	22 20 17	5.5	2950	71.2	3	110
SLS80-125A	31.3 45 58	8.7 12.5 16.1	17.5 16 13.6	4	2950	70.2	3	90
SLS80-160	35 50 65	9.72 13.9 18.1	35 32 28	7.5	2950	69.6	3	120
SLS80-160A	32.7 46.7 61	9.1 13 16.9	30.6 28 24	7.5	2950	68.7	3	118
SLS80-160B	30.3 43.3 56.3	8.4 12 15.6	26.2 24 21	5.5	2950	67.7	3	108
SLS80-200	35 50 65	9.72 13.9 18.1	53.5 50 46	15	2950	65.8	3	186
SLS80-200A	32.8 47 61	9.1 13.1 16.9	47 44 40	11	2950	64.9	3	176
SLS80-200B	30.5 43.5 56.6	8.5 12.1 15.7	40.6 38 33.4	11	2950	63.9	3	176
SLS80-250	35 50 65	9.72 13.9 18.1	83 80 72	22	2950	60.1	3	260
SLS80-250A	32.5 46.7 61	9 13 16.9	73 70 63	18.5	2950	59.2	3	220

Type	Capacity		Head (m)	Power (kW)	Speed (r/min)	Eff. η (%)	(NPSH) _r (m)	Weight (Kg)
	(m ³ /h)	(L/s)						
SLS80-250B	30 43.3 56	8.3 12 15.6	62 60 54	15	2950	58.2	3	200
SLS80-315	35 50 65	9.2 13.9 18.1	128 125 122	45	2950	54.1	3	380
SLS80-315A	32.5 46.5 60.5	9 12.9 16.8	112 110 107	37	2950	53.1	3	376
SLS80-315B	31 44.5 58	8.6 12.4 16.1	102 100 98	30	2950	52.2	3	358
SLS80-315C	29 41 53.6	8.1 11.4 14.9	87 85 83	30	2950	51.2	3	316
SLS80-350	35 50 60	9.72 13.9 13.7	156 150 140	55	2950	51.2	3	530
SLS80-350A	30.8 44 52.8	8.56 12.2 14.7	148 142 135	45	2950	50.3	3	420
SLS80-350B	28 40 46	7.78 11.1 12.8	142 135 128	37	2950	49.3	3	360
SLS80-100(I)	70 100 130	19.4 27.8 36.1	14 12.5 11	5.5	2950	72.1	4.5	118
SLS80-100(I)A	62.6 89 116	17.4 24.7 32.2	12 10 8.8	4	2950	71.2	4.5	88
SLS80-125(I)	70 100 130	19.4 27.8 36.1	23.5 20 14	11	2950	74.0	4.5	174
SLS80-125(I)A	62.6 89 116	17.4 24.7 32.2	19 16 11	7.5	2950	73.1	4.5	125
SLS80-160(I)	70 100 130	19.4 27.8 36.1	36.5 32 24	15	2950	74.1	4.5	190
SLS80-160(I)A	65.4 93.5 121	18.2 26 33.8	32 28 21	11	2950	73.2	4.5	180
SLS80-160(I)B	60.6 86.6 112	16.8 24.1 31.3	27 24 18	11	2950	72.2	4.5	176
SLS80-200(I)	70 100 130	19.4 27.8 36.1	54 50 42	22	2950	72.8	4	265
SLS80-200(I)A	65.4 93.5 121	18.2 26 33.8	47.5 44 37	18.5	2950	71.8	4	225
SLS80-200(I)B	61 87 113	16.9 24.2 31.4	41 38 32	15	2950	70.9	4	200
SLS80-250(I)	70 100 130	19.4 27.8 36.1	87 80 68	37	2950	68.7	4	320
SLS80-250(I)A	65.4 93.5 121	18.2 26 33.8	76 70 59.5	30	2950	67.7	4	300
SLS80-250(I)B	61 87 113	16.9 24.2 31.4	65 60 51	30	2950	66.8	4	258
SLS80-315(I)	70 100 130	19.4 27.8 36.1	132 125 114	75	2950	63.3	4	680
SLS80-315(I)A	66.5 95 123	18.5 26.4 34.3	119 113 103	55	2950	62.3	4	540

TTABB-SLS type pump performance data

Type	Capacity		Head (m)	Power (kW)	Speed (r/min)	Eff. η (%)	(NPSH) _r (m)	Weight (Kg)
	(m ³ /h)	(L/s)						
SLS80-315(I)B	63 90 117	17.5 25 32.5	106 101 92	55	2950	61.4	4	440
SLS80-315(I)C	58 82 107	16.1 22.8 29.7	90 85 76	37	2950	60.4	4	390
SLS100-100	70 100 130	19.4 27.8 36.1	13.6 12.5 11	5.5	2950	72.1	4.5	120
SLS100-100A	62.6 89 116	17.4 24.7 32.2	11 10 8.8	4	2950	71.2	4.5	100
SLS100-125	70 100 130	19.4 27.8 36.1	23.5 20 14	11	2950	74.0	4.5	174
SLS100-125A	62.5 89 116	17.4 24.7 32.2	19 16 11	7.5	2950	73.1	4.5	125
SLS100-160	70 100 130	19.4 27.8 36.1	36.5 32 24	15	2950	74.1	4.5	185
SLS100-160A	65.4 94 121	18.2 26 33.8	32 28 21	11	2950	73.2	4.5	175
SLS100-160B	60.6 86.6 112	16.8 24.1 31.3	27 24 18	11	2950	72.2	4.5	125
SLS100-200	70 100 130	19.4 27.8 36.1	54 50 42	22	2950	72.8	4	250
SLS100-200A	65.4 93.5 121	18.2 26 33.8	47.5 44 37	18.5	2950	71.8	4	210
SLS100-200B	61 87 113	16.9 24.2 31.4	41 38 32	15	2950	70.9	4	188
SLS100-250	70 100 130	19.4 27.8 36.1	87 80 68	37	2950	68.7	4	350
SLS100-250A	65.4 93.5 121	18.2 26 33.8	76 70 59.5	30	2950	67.7	4	330
SLS100-250B	61 87 113	16.9 24.2 31.4	65 60 51	30	2950	66.8	4	270
SLS100-315	70 100 130	19.4 27.8 36.1	132 125 114	75	2950	63.3	4	680
SLS100-315A	66.5 95 123	18.5 26.4 34.3	119 113 103	55	2950	62.3	4	540
SLS100-315B	63 90 117	17.5 25 32.5	106 101 92	55	2950	61.4	4	440
SLS100-350	70 100 130	19.4 27.8 36.1	156 150 148	90	2950	61.0	4	740
SLS100-350A	64 88 113	17.8 24.4 31.1	148 142 134	75	2950	60.0	4	650
SLS100-350B	56 80 104	15.6 22.2 28.9	140 135 125	75	2950	59.1	4	510
SLS125-100	112 160 192	31.1 44.4 53.3	14 12.5 10	7.5	2950	76.0	4	207
SLS125-100A	100 143 172	27.8 39.7 47.8	12 10 8.5	7.5	2950	75.1	4	155

Type	Capacity		Head (m)	Power (kW)	Speed (r/min)	Eff. η (%)	(NPSH) _r (m)	Weight (Kg)
	(m ³ /h)	(L/s)						
SLS125-125	112 160 192	31.1 44.4 53.3	22.6 20 17	15	2950	75.1	4	220
SLS125-125A	100 143 172	27.8 39.7 47.8	18 16 13.6	11	2950	74.1	4	210
SLS125-160	96 160 192	26.7 44.4 53.3	36 32 28	22	2950	76.0	4	275
SLS125-160A	90 150 180	25 41.7 50	31.5 28 24.5	18.5	2950	75.1	4	235
SLS125-160B	83 138 166	23.1 38.3 46.1	27 24 21	15	2950	74.1	4	215
SLS125-200	96 160 192	26.7 44.4 53.3	55 50 46	37	2950	76.0	4	368
SLS125-200A	90 150 180	25 41.7 50	48.4 44 40.5	30	2950	75.1	4	348
SLS125-200B	83 138 166	23.1 38.3 46.1	41.3 37.5 34.5	22	2950	74.1	4	288
SLS125-250	96 160 192	26.7 44.4 53.3	87 80 73	55	2950	73.7	4	535
SLS125-250A	90 150 180	25 41.7 50	76 70 64	45	2950	72.8	4	435
SLS125-250B	83 138 166	23.1 38.3 46.1	65 60 55	37	2950	71.7	4	385
SLS125-315	96 160 192	26.7 44.4 53.3	133 125 119	90	2950	69.1	4	720
SLS125-315A	90 150 180	25 41.7 50	117 110 104	75	2950	68.0	4	620
SLS125-315B	86 143 172	23.9 39.7 47.8	106 100 95.2	75	2950	67.0	4	615
SLS150-125	112 160 192	31.1 44.4 53.3	22.8 20 17	15	2950	75.1	4	225
SLS150-125A	105 150 180	29.2 41.7 50	18.5 16 13.6	11	2950	74.1	4	215
SLS150-160	112 160 192	31.1 44.4 53	35 32 28	22	2950	76.0	4	280
SLS150-160A	105 150 180	29.2 41.7 50	31.5 28 24.5	18.5	2950	75.1	4	240
SLS150-160B	98 140 168	27.2 38.9 46.7	27 24 21	15	2950	74.1	4	220
SLS150-200	140 200 260	38.9 55.6 72.2	13.8 12.5 10.6	15	1480	76.8	3	265
SLS150-200A	125 179 232	34.7 49.7 64.6	11.5 10 8.5	11	1480	75.8	3	250
SLS150-200B	111.7 160 207.4	31 44.4 57.6	9.2 8 6.8	7.5	1480	74.9	3	235
SLS150-250	140 200 260	38.9 55.6 72.2	21.8 20 17	18.5	1480	76.8	3	338

TTABB-Series of Single Stage Single Suction Vertical Centrifugal Pump

TTABB-SLS type pump performance data

Type	Capacity		Head (m)	Power (kW)	Speed (r/min)	Eff. η (%)	(NPSH) _r (m)	Weight (Kg)
	(m ³ /h)	(L/s)						
SLS150-250A	129 184 240	35.8 51.2 66.7	18.5 17 14.4	15	1480	75.8	3	300
SLS150-250B	117 167 217	32.5 46.4 60.4	15.2 14 12	11	1480	74.9	3	280
SLS150-250(I)	120 200 240	33.3 55.6 66.7	87 80 72	75	2950	75.3	4.5	725
SLS150-250(I)A	112 187 224	31.1 51.9 62.2	76 70 63	55	2950	74.4	4.5	585
SLS150-250(I)B	104 173 208	26.9 48.1 57.8	65 60 54	45	2950	73.4	4.5	485
SLS150-315	140 200 260	38.9 55.6 72.2	33.8 32 28	30	1450	75.1	3.5	440
SLS150-315A	131 187 243	36.4 51.9 67.5	29.5 28 24.5	22	1480	74.2	3.5	360
SLS150-315B	121 173 225	33.6 48.1 62.3	25 24 21	18.5	1480	73.2	3.5	350
SLS150-315(I)	120 200 240	33.3 55.6 66.7	133 125 120	110	2950	71.5	4.5	980
SLS150-315(I)A	112 187 224	31.1 51.9 62.2	116 110 105	90	2950	70.6	4.5	730
SLS150-315(I)B	104 173 208	28.9 48.1 57.8	100 95 91	75	2950	69.6	4.5	710
SLS150-350	112 160 192	31.1 44.4 53.3	160 150 138	110	2950	66.9	4.5	990
SLS150-350A	105 150 180	29.2 41.7 50	152 142 130	110	2950	65.9	4.5	740
SLS150-350B	98 140 168	27.2 38.9 46.7	110 101 90	75	2950	65.0	4.5	720
SLS150-400	140 200 260	38.9 55.6 72.2	53 44 44	45	1480	71.4	3.5	520
SLS150-400A	131 187 243	36.4 51.9 67.5	46.6 44 38.3	37	1480	70.5	3.5	480
SLS150-400B	122 174 226	33.9 48.3 62.9	40 38 33	30	1480	69.5	3.5	470
SLS150-400C	112 160 200	31.1 44.4 55.5	34 32 28	22	1480	68.6	3.5	390
SLS150-500	140 200 240	38.9 55.6 66.7	85 80 75	75	1480	65.7	4	680
SLS150-500A	131 187 224	36.4 51.9 62.3	74 70 65	75	1480	64.8	4	680
SLS150-500B	121 173 208	33.6 48.1 57.7	64 60 55.5	55	1480	63.8	4	630
SLS200-200	140 200 260	38.9 55.6 72.2	13.8 12.5 10.6	15	1480	76.8	3	385
SLS200-200A	125 179 232	34.7 49.7 64.6	11 10 8.5	11	1480	75.5	3	365
SLS200-250	140 200 260	38.9 55.6 72.2	21.8 20 17	18.5	1480	76.8	3	420

TTABB-SLS type pump performance data

Type	Capacity		Head (m)	Power (kW)	Speed (r/min)	Eff. η (%)	(NPSH) _r (m)	Weight (Kg)
	(m ³ /h)	(L/s)						
SLS200-250A	129 184 240	35.8 51.2 66.7	18.5 17 14.4	15	1480	75.8	3	385
SLS200-250B	117 167 217	32.5 46.4 60.4	15.2 14 12	11	1480	74.9	3	365
SLS200-315	140 200 260	38.9 55.6 72.2	33.8 32 28	30	1480	75.3	3.5	550
SLS200-315A	131 187 243	36.4 51.9 67.5	29.5 28 24.5	22	1480	74.4	3.5	460
SLS200-315B	121 173 225	33.6 48.1 62.5	25.5 24 20.5	18.5	1480	73.4	3.5	440
SLS200-400	140 200 260	38.9 55.6 72.2	53 50 46	45	1480	71.4	3.5	590
SLS200-400A	131 187 243	36.4 51.9 67.5	46.6 44 38.3	37	1480	70.5	3.5	550
SLS200-400B	122 174 226	33.9 48.3 62.9	40 38 33	30	1480	69.5	3.5	520
SLS200-400C	112 160 208	31.3 44.4 57.8	34 32 28	22	1480	68.6	3.5	490
SLS200-200G	210 300 360	58.3 83.3 100	13.4 12.5 10.5	18.5	1480	77.0	4	380
SLS200-200GA	196 280 336	54.4 77.8 93.3	10.3 10 8.5	15	1480	76.1	4	346
SLS200-250G	210 300 360	58.3 83.3 100	22.2 20 14	22	1480	77.9	4	405
SLS200-250GA	196 280 336	54.4 77.8 93.3	18 16 11.2	18.5	1480	77.0	4	380
SLS200-250GB	182 262 312	50.6 72.8 86.7	14.6 13 9	15	1480	76.0	4	346
SLS200-315G	210 300 360	58.3 83.3 100	36 32 26	45	1480	77.6	4	600
SLS200-315GA	196 280 336	54.4 77.8 93.3	31.5 28 23	37	1480	76.7	4	560
SLS200-315GB	182 262 312	50.6 72.8 86.7	27 24 19.5	30	1480	75.7	4	505
SLS200-400G	210 300 360	58.3 83.3 100	54.5 50 39	75	1480	75.3	4	800
SLS200-400GA	196 280 336	54.4 77.8 93.3	48 44 34	55	1480	74.4	4	708
SLS200-400GB	182 262 312	50.6 72.8 86.7	41.4 38 29.6	45	1480	73.4	4	600
SLS200-400GC	171 245 294	47.5 68.1 81.7	34.9 32 25	37	1480	72.5	4	600
SLS200-500G	210 300 360	58.3 83.3 100	85 80 73	110	1480	70.2	4.5	1230
SLS200-500GA	196 280 336	54.4 77.8 93.3	74 70 64	90	1480	69.3	4.5	906
SLS200-500GB	182 262 312	50.6 72.8 86.7	64 60 54	75	1480	68.3	4.5	816
SLS200-500GC	171 245 294	47.5 68.1 81.7	56 52 48	55	1480	67.4	4.5	780

Type	Capacity		Head (m)	Power (kW)	Speed (r/min)	Eff. η (%)	(NPSH) _r (m)	Weight (Kg)
	(m ³ /h)	(L/s)						
SLS200-200(I)	280 400 520	77.8 111 144	13.4 12.5 10.5	22	1480	76.9	4	430
SLS200-200(I)A	250 358 465	69.4 99.4 129	11.2 10 8.5	18.5	1480	75.9	4	415
SLS200-250(I)	280 400 520	77.8 111 144	22.2 20 14	30	1480	78.9	4	500
SLS200-250(I)A	250 358 465	69.4 99.4 129	18 16 11.2	22	1480	77.9	4	410
SLS200-250(I)B	226 322 419	62.8 89.4 116	14.4 13 7.3	18.5	1480	77.0	4	400
SLS200-315(I)	280 400 520	77.8 111 144	36 32 26	55	1480	78.9	4	720
SLS200-315(I)A	262 374 486	72.8 103 135	31.5 28 23	45	1480	77.9	4	620
SLS200-315(I)B	242 346 450	67.2 96.1 125	27 24 19.5	37	1480	77.0	4	570
SLS200-400(I)	280 400 520	77.8 111 144	54.5 50 39	90	1480	77.5	4	960
SLS200-400(I)A	262 374 486	72.8 103 135	48 44 34	75	1480	76.6	4	850
SLS200-400(I)B	242 346 450	67.2 96.1 125	41.4 38 29.6	55	1480	75.6	5	710
SLS200-400(I)C	224 320 416	62.2 88.9 115	34.9 32 25	45	1480	74.7	5	605
SLS200-500(I)	280 400 520	77.8 111 144	85 80 70	132	1480	73.4	4	1250
SLS200-500(I)A	262 374 486	72.8 103 135	74.4 60 61.2	110	1480	72.5	4	1160
SLS200-500(I)B	242 346 450	67.2 96.1 125	63.8 60 52.5	90	1480	71.5	4	1050
SLS200-500(I)C	224 320 416	62.2 88.9 115	53.2 50 43.8	75	1480	70.6	4	906
SLS250-250	105 150 180	29.2 41.7 50	21.8 20 18.1	15	1480	75.6	4.5	599
SLS250-250(I)	400 550 670	111 153 186	22 20 16	45	1480	79.3	5.5	740
SLS250-250(I)A	350 500 600	97.2 138 166.7	19 17 14.5	37	1480	78.4	5.5	700
SLS250-235	350 500 600	97.2 138 166.7	14 12.5 10	22	1480	76.6	5.5	600
SLS250-300	350 500 600	97.2 138 166.7	22 20 17.5	37	1480	79.4	5.5	600
SLS250-315	350 500 600	97.2 138 166.7	35 32 27	75	1480	79.5	5.5	1100
SLS250-315A	350 500 600	97.2 138 166.7	31.5 28 23	55	1480	78.6	5.5	950
SLS250-315B	350 450 540	88.8 125 150	26.5 24 20	45	1480	77.6	5.5	850

Type	Capacity		Head (m)	Power (kW)	Speed (r/min)	Eff. η (%)	(NPSH) _r (m)	Weight (Kg)
	(m ³ /h)	(L/s)						
SLS250-400	350 500 600	97.2 138 166.7	54 50 41.5	90	1480	78.9	5.5	1160
SLS250-400A	250 470 564	69.4 130.6 156.7	47.5 44 36.5	90	1480	78.0	5.5	1050
SLS250-400B	232 437 524	64.4 121.4 145.6	41 38 31.5	75	1480	77.0	5.5	960
SLS250-500	385 550 660	106.9 152.8 183.3	87 80 68	160	1480	76.6	5.5	1250
SLS250-500A	357 510 612	99.2 141.7 170	76.1 70 59.5	132	1480	75.6	5.5	1160
SLS250-500B	329 470 564	91.4 130.6 156.7	65.2 60 51	110	1480	74.7	5.5	1050
SLS250-500C	301 430 516	83.6 119.4 143.3	54.3 50 42.5	90	1480	73.7	5.5	940
SLS300-235	540 720 900	150 200 250	20.5 18 15	55	1480	78.4	5	1075
SLS300-235A	450 600 720	125 166 200	17.2 15 12.5	45	1480	77.4	5	970
SLS300-235B	420 540 650	116.7 150 181	14.3 12.8 10.5	37	1480	76.5	5	925
SLS300-250	540 720 900	150 200 250	22.5 20 17	55	1480	79.0	6	1085
SLS300-250A	450 600 720	136 166 200	19.5 17 14	45	1480	78.1	6	980
SLS300-300	540 720 900	150 200 250	32 28 23	75	1480	80.5	5	1230
SLS300-300A	450 600 720	125 166 200	27.5 24 20	55	1480	79.5	5	1095
SLS300-300B	420 540 650	116.7 150 181	24 21 17	45	1480	78.6	5	982
SLS300-315	540 720 900	150 200 250	35 32 26	90	1480	80.5	4.5	1350
SLS300-315A	460 650 800	127.8 180 222	31.5 28 23.5	75	1480	79.5	4.5	1240
SLS300-315B	420 580 700	116.7 161 194	27 24 20	55	1480	78.6	4.5	1100
SLS300-400	450 600 720	125 166 200	55 50 42.5	110	1480	79.8	5	1500
SLS300-400A	420 540 650	116.7 150 181	45 40 35	90	1480	78.9	5	1255
SLS300-450	500 720 860	139 200 239	54 50 42	132	1480	80.5	5.5	1700
SLS300-450A	460 660 790	128 183 219	47 44 36	110	1480	79.5	5.5	1600
SLS300-450B	420 600 720	117 167 200	41 38 32	90	1480	78.6	5.5	1250
SLS300-450C	390 560 670	108 155 186	35 32 27	75	1480	77.6	5.5	1150



TTABB-Series of Single Stage Single Suction Vertical Centrifugal Pump

TTABB-SLS type pump performance data

Type	Capacity		Head (m)	Power (kW)	Speed (r/min)	Eff. (%)	(NPSH) _r (m)	Weight (Kg)
	(m ³ /h)	(L/s)						
SLS300-500	540 720 900	150 200 250	85 80 70	250	1480	78.6	5.5	1685
SLS300-500A	506 675 844	140.6 187.5 234.4	74.4 70 61.2	200	1480	77.6	5.5	1565
SLS300-500B	468 625 780	130 173.6 216.7	63.8 60 52.5	160	1480	76.7	5.5	1472
SLS300-500C	425 570 710	118 158.3 197.2	53.2 50 43.8	110	1480	75.7	5.5	1345
SLS350-235	600 800 960	167 222 267	14 12.5 10.5	37	1480	80.8	4.5	1050
SLS350-300	600 800 960	167 222 267	22.5 20 17.5	75	1480	78.9	4.5	1230
SLS350-315	600 800 960	167 222 267	35.5 32 28.5	90	1480	80.8	4.5	1650
SLS350-400	600 800 960	167 222 267	55 50 45.5	160	1480	80.8	4.5	1950
SLS350-450	900 1200 1400	250 333.3 389	23 20 16	90	980	81.4	6	1300
SLS350-450A	850 1120 1300	236.1 311.1 361.1	20 17 13	75	980	80.5	6	1200
SLS350-525	900 1200 1400	250 333.3 389	35 32 25	160	980	81.7	6	1850
SLS350-525A	850 1120 1300	236.1 311.1 361.1	31 28 23	132	980	80.8	6	1740
SLS350-525B	780 1050 1200	216.1 291.7 333.3	27 24 19	110	980	79.8	6	1600
SLS350-600	900 1200 1400	250 333.3 389	53 50 44	250	980	81.1	6.5	2750
SLS350-600A	850 1120 1300	236.1 311.1 361.1	46 44 36	200	980	80.2	6.5	2500
SLS350-600B	780 1050 1200	216.1 291.7 333.3	40 38 33	160	980	79.2	6.5	2450
SLS350-315G	670 960 1150	186 267 320	35 32 26	132	1480	81.1	6.5	1750
SLS350-315GA	600 860 1030	167 239 287	30 28 23	110	1480	80.2	6.5	1600
SLS350-315GB	575 820 985	159 228 273	26 24 19	90	1480	79.2	6.5	1250
SLS350-400G	670 960 1150	186 267 320	53 50 44	200	1480	81.1	7.0	2500
SLS350-400GA	600 860 1030	167 239 287	46 44 38	160	1480	80.2	7.0	2450
SLS350-400GB	575 820 985	159 228 273	40 38 32	132	1480	79.2	7.0	2350

Type	Capacity		Head (m)	Power (kW)	Speed (r/min)	Eff. (%)	(NPSH) _r (m)	Weight (Kg)
	(m ³ /h)	(L/s)						
SLS350-450G	670 960 1150	186 267 320	22 20 16	75	980	81.1	6.0	1250
SLS350-450GA	575 820 985	159 228 273	19 17 14	55	980	80.2	6.0	950
SLS350-525G	670 960 1150	186 267 320	35 32 26	132	980	81.1	6.0	1850
SLS350-525GA	600 860 1030	167 239 287	30 28 23	110	980	80.2	6.0	1700
SLS350-525GB	575 820 985	159 228 273	26 24 19	90	980	79.3	6.0	1550
SLS350-620G	670 960 1150	186 267 320	53 50 44	200	980	80.1	7.0	2700
SLS350-620GA	600 860 1030	167 239 287	46 44 38	160	980	79.1	6.5	2600
SLS350-620GB	575 820 985	159 228 273	40 38 32	132	980	78.2	6.5	2200
SLS350-315(I)	900 1200 1400	250 333 400	35 32 26	160	1480	80.9	6.5	1800
SLS350-315(I)A	820 1100 1300	228 305 361	30 28 23	132	1480	80.1	6.5	1750
SLS350-315(I)B	750 1000 1200	208 278 333	26 24 19	110	1480	79.0	6.5	1600
SLS350-400(I)	900 1200 1400	250 333 400	53 50 44	250	1480	81.7	7.5	2500
SLS350-400(I)A	820 1100 1300	228 305 361	46 44 38	200	1480	80.8	7.0	2450
SLS350-400(I)B	750 1000 1200	208 278 333	40 38 32	160	1480	79.8	7.0	2350
SLS400-300	820 1080 1300	228 300 361	23 20 16	90	1480	78.2	6	1450
SLS400-315	820 1080 1300	228 300 361	36.5 32 27	132	1480	81.1	6	1740
SLS400-450	1500 2000 2400	416.7 555.6 666.7	23 20 15	160	980	80.6	6.5	2420
SLS400-450A	1400 1860 2250	388.9 516.7 625	20 17 14	132	980	79.3	6.5	1940
SLS400-500	1500 2000 2400	416.7 555.6 666.7	34 32 27	250	980	82.8	6.5	2980
SLS400-500A	1400 1860 2240	388.9 516.7 625	30 28 24	200	980	81.9	6.5	2840
SLS400-500B	1300 1750 2100	361.1 486.4 583.3	26 24 21	160	980	80.9	6.5	2710
SLS500-300	1000 1200 1450	277.8 333 403	23 20 16	110	1480	81.7	6	1800
SLS500-315	1000 1200 1450	277.8 333 403	34.5 32 27	160	1480	80.9	6	2070

TTABB-SLSD type pump performance data

Type	Capacity		Head (m)	Power (kW)	Speed (r/min)	Eff. (%)	(NPSH) _r (m)	Weight (Kg)
	(m ³ /h)	(L/s)						
SLSD40-160	2.2 3.2 4.2	0.61 0.89 1.17	8.3 8 7.5	0.37	1480	32.9	2.3	44
SLSD40-200	2.2 3.2 4.2	0.61 0.89 1.17	12.8 12.5 12	0.75	1480	25.0	2.3	53
SLSD40-250	2.2 3.2 4.2	0.61 0.89 1.17	20.5 20 18.5	1.1	1480	14.6	2.3	76
SLSD40-250A	2.0 3.0 3.9	0.56 0.83 1.08	18 17.5 16.3	0.75	1480	13.7	2.3	67
SLSD40-250B	1.9 2.8 3.5	0.53 0.78 0.97	15.4 15 14	0.55	1480	12.7	2.3	57
SLSD40-125(I)	4.4 6.3 8.2	1.2 1.75 2.3	5.3 5.0 4.5	0.25	1480	51.7	2.3	43
SLSD40-160(I)	4.4 6.2 8.2	1.2 1.75 2.3	8.3 8.0 7.5	0.55	1480	46.0	2.3	52
SLSD40-200(I)	4.4 6.3 8.2	1.2 1.75 2.3	12.8 12.5 12	0.75	1480	39.9	2.3	62
SLSD40-250(I)	4.4 6.3 8.2	1.2 1.75 2.3	20.3 20 19.4	1.5	1480	31.5	2.3	86
SLSD40-250(I)A	4.1 5.8 7.6	1.1 1.6 2.1	17.8 17.5 17	1.1	1480	30.6	2.3	76
SLSD40-250(I)B	3.8 5.4 7	1.1 1.5 1.9	15.4 15 14.5	1.1	1480	29.6	2.3	67
SLSD50-125	4.4 6.3 8.2	1.2 1.75 2.3	5.3 5 4.5	0.25	1480	51.7	2.3	43
SLSD50-160	4.4 6.3 8.2	1.2 1.75 2.3	8.3 8 7.5	0.55	1480	46.0	2.3	52
SLSD50-200	4.4 6.3 8.2	1.2 1.75 2.3	13 12.5 12	0.75	1480	39.9	2.3	62
SLSD50-250	4.4 6.3 8.2	1.2 1.75 2.3	20.5 20 19.4	1.5	1480	31.5	2.3	86
SLSD50-250A	4.1 5.8 7.6	1.14 1.61 2.11	17.9 17.5 17	1.1	1480	30.6	2.3	76
SLSD50-250B	3.8 5.4 7	1.06 1.5 1.94	15.4 15 14.5	1.1	1480	29.6	2.3	67
SLSD50-125(I)	8.75 12.5 16.3	2.4 3.5 4.5	5.38 5 4.5	0.55	1480	61.2	2.5	52
SLSD50-160(I)	8.75 12.5 16.3	2.4 3.5 4.5	8.6 8 6.88	0.55	1480	57.1	2.5	62

Type	Capacity		Head (m)	Power (kW)	Speed (r/min)	Eff. (%)	(NPSH) _r (m)	Weight (Kg)
	(m ³ /h)	(L/s)						
SLSD50-200(I)	8.75 12.5 16.3	2.4 3.5 4.5	13.2 12.5 11.4	1.1	1480	51.7	2.5	69
SLSD50-200(I)A	8.2 11.8 15.3	2.3 3.3 4.3	11.6 11 10	1.1	1480	50.7	2.5	62
SLSD50-250(I)	8.75 12.5 16.3	2.4 3.5 4.5	20.5 20 19.1	2.2	1480	45.3	2.5	100
SLSD50-250(I)A	8.2 11.7 15.3	2.3 3.3 4.3	17.9 17.5 16.8	1.5	1480	44.4	2.5	90
SLSD50-250(I)B	7.5 10.8 14	2.1 3 3.9	15.3 15 14.4	1.5	1480	43.4	2.5	81
SLSD50-315(I)	8.75 12.5 16.3	2.4 3.5 4.5	32 31.5 30.5	4	1480	37.1	2.5	124
SLSD50-315(I)A	8.3 11.9 15.5	2.3 3.3 4.3	28.8 28.5 28	3	1480	36.2	2.5	124
SLSD50-315(I)B	7.85 11.3 14.6	2.2 3.1 4.1	25.8 25.5 24.5	3	1480	35.2	2.5	109
SLSD65-125	8.75 12.5 16.3	2.4 3.5 4.5	5.4 5 4.5	0.55	1480	61.2	2.5	52
SLSD65-160	8.75 12.5 16.3	2.4 3.5 4.5	8.6 8 6.88	0.55	1480	57.1	2.5	62
SLSD65-200	8.75 12.5 16.3	2.4 3.5 4.5	13.2 12.5 11.4	1.1	1480	51.7	2.5	69
SLSD65-200A	8.2 11.8 15.3	2.3 3.3 4.3	11.6 11 10	1.1	1480	50.7	2.5	62
SLSD65-250	8.75 12.5 16.3	2.4 3.5 4.5	20.5 20 19.1	2.2	1480	45.3	2.5	100
SLSD65-250A	8.2 11.7 15.3	2.3 3.3 4.3	17.9 17.5 16.8	1.5	1480	44.4	2.5	90
SLSD65-250B	7.5 10.8 14	2.1 3 3.9	15.3 15 14.4	1.5	1480	43.4	2.5	81
SLSD65-315	8.75 12.5 16.3	2.4 3.5 4.5	32 31.5 30.5	4	1480	37.1	2.5	124
SLSD65-315A	8.3 11.9 15.5	2.3 3.3 4.3	28.8 28.5 27.5	3	1480	36.2	2.5	124
SLSD65-315B	7.85 11.3 14.6	2.2 3.1 4	25.8 25.3 24.5	3	1480	35.2	2.5	109
SLSD65-125(I)	17.5 25 32.5	4.86 6.94 9.03	5.5 5 4.25	0.75	1480	67.4	3.0	67
SLSD65-160(I)	17.5 25 32.5	4.86 6.94 9.03	8.75 8 7	1.1	1480	65.9	3.0	74



TTABB-Series of Single Stage Single Suction Vertical Centrifugal Pump

TTABB-SLSD type pump performance data

Type	Capacity		Head (m)	Power (kW)	Speed (r/min)	Eff. (%)	(NPSH) _r (m)	Weight (Kg)
	(m ³ /h)	(L/s)						
SLSD65-200(I)	17.5 25 32.5	4.86 6.94 9.03	13.4 12.5 11.5	2.2	1480	62.0	3.0	93
SLSD65-200(I)A	16.4 23.5 30.5	4.56 6.53 8.47	11.8 11 10	1.5	1480	61.1	3.0	84
SLSD65-250(I)	17.5 25 32.5	4.86 6.94 9.03	20.8 20 18	3	1480	56.3	3.0	122
SLSD65-250(I)A	16.3 23.4 30.5	4.53 6.5 8.47	18.3 17.5 15.8	3	1480	55.4	3.0	119
SLSD65-250(I)B	15 21.7 28	4.17 6.03 7.78	15.5 15 13.5	2.2	1480	54.4	3.0	109
SLSD65-315(I)	15 25 30	4.17 6.94 8.33	32.5 32 31.5	5.5	1480	50.0	3.0	181
SLSD65-315(I)A	14 23 28	3.89 6.39 7.78	28 27.5 26.8	5.5	1480	49.0	3.0	177
SLSD65-315(I)B	12.1 20.2 24.3	3.36 5.61 6.75	21.5 21 20.6	3	1480	48.1	3.0	162
SLSD80-125	17.5 25 32.5	4.86 6.94 9.03	5.5 5 4.25	0.75	1480	67.4	3.0	67
SLSD80-160	17.5 25 32.5	4.86 6.94 9.03	8.75 8 7	1.1	1480	65.9	3.0	74
SLSD80-200	17.5 25 32.5	4.86 6.94 9.03	13.4 12.5 11.5	2.2	1480	62.0	3.0	93
SLSD80-200A	16.4 23.5 30.5	4.56 6.53 8.47	11.8 11 10	1.5	1480	61.1	3.0	84
SLSD80-250	17.5 25 32.5	4.86 6.94 9.03	20.8 20 18	3	1480	56.3	3.0	122
SLSD80-250A	16.3 23.4 30.5	4.53 6.5 8.47	18.3 17.5 15.8	3	1480	55.4	3.0	119
SLSD80-250B	15.5 22.3 29	4.31 6.19 8.06	15.5 15 13.5	3	1480	54.4	3.0	115
SLSD80-315	17.5 25 32.5	4.86 6.94 9.03	32.5 32 30.5	5.5	1480	50.0	3.0	185
SLSD80-315A	16.3 23.3 30.3	4.53 6.47 8.42	28 27.5 26.8	5.5	1480	49.0	3.0	182
SLSD80-315B	15.5 22.3 29	4.31 6.19 8.06	25.5 25 24.5	4	1480	48.1	3.0	162
SLSD80-125(I)	35 50 65	9.72 13.9 18.1	5.88 5 3.5	1.5	1480	71.1	4.5	88
SLSD80-160(I)	35 50 65	9.72 13.9 18.1	9.13 8 6	2.2	1480	71.1	4.5	100

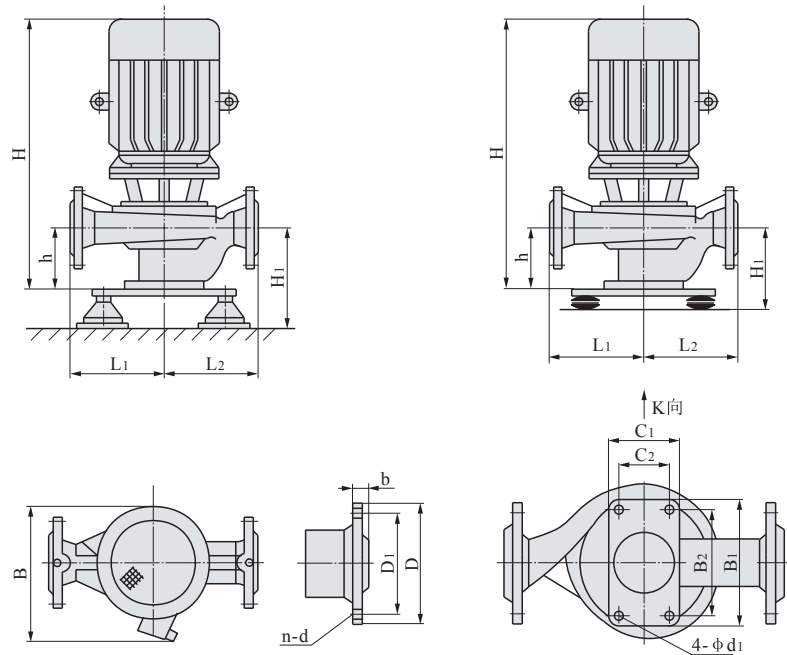
Type	Capacity		Head (m)	Power (kW)	Speed (r/min)	Eff. (%)	(NPSH) _r (m)	Weight (Kg)
	(m ³ /h)	(L/s)						
SLSD80-160(I)A	32.7 46.8 60.5	9.08 13 16.8	8 7 5.3	1.5	1480	70.1	4.5	93
SLSD80-200(I)	35 50 65	9.72 13.9 18.1	13.5 12.5 10.5	3	1480	69.8	4	124
SLSD80-200(I)A	32.7 46.8 60.5	9.08 13 16.8	11.9 11 9.25	3	1480	68.9	4	120
SLSD80-250(I)	35 50 65	9.72 13.9 18.1	21.8 20 17	5.5	1480	65.7	4	178
SLSD80-250(I)A	32.7 46.8 60.5	9.08 13 16.8	19 17.5 14.9	4	1480	64.8	4	157
SLSD80-250(I)B	30.5 43.5 56.5	8.47 12.0 15.7	16.3 15 12.8	4	1480	63.8	4	143
SLSD80-315(I)	35 50 65	9.72 13.9 18.1	33 31.3 28.5	11	1480	60.3	4	266
SLSD80-315(I)A	33.3 47.5 61.5	9.25 13.2 17.1	29.8 28.3 25.8	7.5	1480	59.4	4	219
SLSD80-315(I)B	31.5 45 58.5	8.75 12.5 16.3	26.5 25.3 23	7.5	1480	58.4	4	214
SLSD100-125	35 50 65	9.72 13.9 18.1	5.88 5 3.5	1.5	1480	71.1	4.5	76
SLSD100-160	35 50 65	9.72 13.9 18.1	9.13 8 6	2.2	1480	71.1	4.5	43
SLSD100-160A	32.7 46.8 60.5	9.08 13 16.8	8 7 5.3	1.5	1480	70.1	4.5	76
SLSD100-200	35 50 65	9.72 13.9 18.1	13.5 12.5 10.5	3	1480	69.8	4	109
SLSD100-200A	32.7 46.8 60.5	9.08 13 16.8	11.9 11 9.25	3	1480	68.9	4	105
SLSD100-250	35 50 65	9.72 13.9 18.1	21.8 20 17	5.5	1480	65.7	4	166
SLSD100-250A	32.7 46.8 60.5	9.08 13 16.8	19 17.5 14.9	4	1480	64.8	4	143
SLSD100-250B	30.5 43.5 56.5	8.47 12.1 15.7	16.3 15 12.8	4	1480	63.8	4	128
SLSD100-315	35 50 65	9.72 13.9 18.1	33 31.3 28.5	11	1480	60.3	4	247
SLSD100-315A	33.3 47.5 61.5	9.25 13.2 17.1	29.8 28.3 25.8	7.5	1480	59.4	4	209
SLSD100-315B	31.5 45 58.5	8.75 12.5 16.3	26.5 25.3 23	7.5	1480	58.4	4	204

TTABB-SLSD type pump performance data

Type	Capacity		Head (m)	Power (kW)	Speed (r/min)	Eff. (%)	(NPSH) _r (m)	Weight (Kg)
	(m ³ /h)	(L/s)						
SLSD100-125(I)	48 80 96	13.3 22.2 26.7	5.5 5 4.3	2.2	1480	72.1	3	95
SLSD100-160(I)	48 80 96	13.3 22.2 26.7	9 8 7	3	1480	73.2	3	100
SLSD100-200(I)	48 80 96	13.3 22.2 26.7	13.8 12.5 11.5	5.5	1480	73.2	3	143
SLSD100-200(I)A	45 75 90	12.5 20.8 25	12 11 10	4.0	1480	72.2	3	124
SLSD100-250(I)	48 80 96	13.3 22.2 26.7	22 20 18.3	7.5	1480	70.8	2.8	181
SLSD100-250(I)A	45 75 90	12.5 20.8 25	19 17.5 16	7.5	1480	69.8	2.8	176
SLSD100-250(I)B	41.5 69 83	11.5 19.2 23	16.3 15 13.8	5.5	1480	78.4	2.8	166
SLSD100-315(I)	48 80 96	13.3 22.2 26.7	33.3 32 29.8	15	1480	65.9	2.5	280
SLSD100-315(I)A	45 75 90	12.5 20.8 25	29.3 27.5 26	11	1480	65.0	2.5	257
SLSD100-315(I)B	43 72 86	11.9 20 23.9	26.5 25 23.8	11	1480	64.0	2.5	252
SLSD125-160	48 80 96	13.3 22.2 26.7	9 8 7	3	1480	73.2	3	133
SLSD125-200	48 80 96	13.3 22.2 26.7	13.8 12.5 11.5	5.5	1480	73.2	3	181
SLSD125-200A	45 75 90	12.5 20.8 25	12.1 11 10.1	4	1480	72.2	3	162
SLSD125-250	48 80 96	13.3 22.2 26.7	21.8 20 18.3	7.5	1480	70.8	2.8	220
SLSD125-250A	45 75 90	12.5 20.8 25	19 17.5 16	7.5	1480	69.8	2.8	215
SLSD125-250B	41.5 69.0 83.0	11.5 19.2 23.1	16.3 15 13.8	5.5	1480	78.4	2.8	205
SLSD125-315	48 80 96	13.3 22.2 26.7	33.3 32 29.8	15	1480	65.9	2.5	309
SLSD125-315A	45 75 90	12.5 20.8 25	29.3 27.5 26	11	1480	65.0	2.5	290
SLSD125-315B	43 71.5 86	11.9 19.9 23.9	26.5 25 23.8	11	1480	64.0	2.5	285
SLSD125-125(I)	60 100 120	16.7 27.8 33.3	6.5 5 4	2.2	1480	72.2	3	100

Type	Capacity		Head (m)	Power (kW)	Speed (r/min)	Eff. (%)	(NPSH) _r (m)	Weight (Kg)
	(m ³ /h)	(L/s)						
SLSD125-160(I)	60 100 120	16.7 27.8 33.3	10 8 7	4	1480	74.1	3	120
SLSD125-160(I)A	52 87 104	14.5 24.2 28.9	7.3 6.3 5.4	3	1480	73.2	3	109
SLSD125-200(I)	60 100 120	16.7 27.8 33.3	14 12.5 11.5	5.5	1480	74.1	3	145
SLSD125-200(I)A	51.7 86 103	14.4 23.9 28.6	10.8 9.3 8.2	4	1480	73.2	3	120
SLSD125-250(I)	60 100 120	16.7 27.8 33.3	21.5 20 18.5	11	1480	72.7	3	212
SLSD125-250(I)A	56 93 112	15.6 25.8 31.1	18.7 17.4 16	7.5	1480	71.7	3	165
SLSD125-250(I)B	52 87 104	14.5 24.4 28.9	16 15 14	5.5	1480	70.8	3	155
SLSD125-315(I)	60 100 120	16.7 27.8 33.3	33.5 32 30.5	15	1480	68.6	3	228
SLSD125-315(I)A	55 91 110	15.3 25.3 30.6	28 27 25.7	11	1480	67.6	3	214
SLSD125-315(I)B	47 79 95	13.1 21.9 26.4	21 20 18	7.5	1480	66.7	3	165
SLSD125-400(I)	60 100 120	16.7 27.8 33.3	52 50 48.5	30	1480	63.2	3	375
SLSD125-400(I)A	56.4 94 113	15.7 26.1 31.4	46 44 43	22	1480	62.2	3	295
SLSD125-400(I)B	52.3 87 105	14.5 24.2 29.2	39 38 37	18.5	1480	61.3	3	247
SLSD125-400(I)C	48.6 81 97	13.5 22.6 26.9	34 32.8 32	15	1480	60.3	3	239
SLSD150-250(I)	60 100 120	16.7 27.8 33.3	21.8 20 18	11	1480	72.7	4	295
SLSD150-250(I)A	56 93.5 112	15.6 26 31.1	19 17.5 15.8	7.5	1480	71.7	4	261
SLSD150-250(I)B	52 86.5 104	14.4 24 28.9	16.3 15 13.5	7.5	1480	70.8	4	258
SLSD150-315(I)	60 100 120	16.7 27.8 33.3	33.3 32 30	15	1480	68.6	4.0	323
SLSD150-315(I)A	56 93.5 112	15.6 26 31.1	29 27.5 26.3	15	1480	67.6	4.0	318
SLSD150-315(I)B	52 86.5 104	14.4 24 28.9	25 23.8 22.8	11	1480	66.7	4.0	299

TTABB- SLS(SLSD) type pump dimension figure



Flange dimensions				
DN	D	D1	n-d	b
φ25	φ115	φ85	4-φ14	16
φ32	φ140	φ100	4-φ19	18
φ40	φ150	φ110	4-φ19	18
φ50	φ165	φ125	4-φ19	20
φ65	φ185	φ145	4-φ19	20
φ80	φ200	φ160	8-φ19	22
φ100	φ220	φ180	8-φ19	24
φ125	φ250	φ210	8-φ19	26
φ150	φ285	φ240	8-φ23	26
φ200	φ340	φ295	12-φ23	30
φ250	φ405	φ355	12-φ28	32
φ300	φ460	φ410	12-φ28	32
φ350	φ520	φ470	16-φ28	36
φ400	φ580	φ525	16-φ31	38
φ500	φ715	φ650	20-φ34	42

TTABB- SLS type pump dimension table

Type	Figure dimensions					Foot dimensions				Isolation selection and installing dimensions				
	L1	L2	B	H	h	DN	d1	B1×C1	B2×C2	Vibration isolated pad Type	H1	Vibration isolator Type	H1	Connection board Type
15-80	90	90	133.5	333	40	G1/2	φ12	90×65	70×45	SD41-0.5	60	-	-	-
20-110	130	130	152.5	382	70	G3/4	φ12	110×80	80×50	SD41-0.5	90	-	-	-
20-125	150	150	237.5	425	70	G3/4	φ12	110×80	80×50	SD41-0.5	90	-	-	-
20-160	150	150	257.5	420	65	G3/4	φ12	130×90	100×60	SD41-0.5	85	-	-	-
25-110	130	130	152.5	377	65	φ25	φ12	110×80	80×50	SD41-0.5	85	-	-	-
25-125	130	130	212.5	427	70	φ25	φ12	110×80	80×50	SD41-0.5	90	-	-	-
25-125A	130	130	212.5	427	70	φ25	φ12	110×80	80×50	SD41-0.5	90	-	-	-
25-160	150	150	257.5	440	70	φ25	φ12	130×90	100×60	SD41-0.5	90	-	-	-
25-160A	150	150	237.5	430	70	φ25	φ12	130×90	100×60	SD41-0.5	90	-	-	-
32-100	130	130	152.5	397	80	φ32	φ12	130×90	100×60	SD41-0.5	100	-	-	-
32-125	130	130	237.5	440	80	φ32	φ12	130×90	100×60	SD41-0.5	100	-	-	-
32-125A	130	130	237.5	440	80	φ32	φ12	130×90	100×60	SD41-0.5	100	-	-	-
32-160	160	160	257.5	450	80	φ32	φ14	150×100	120×70	SD41-0.5	155	-	-	SLS-1
32-160A	160	160	237.5	440	80	φ32	φ14	150×100	120×70	SD41-0.5	155	-	-	SLS-1
32-200	170	170	287.5	531	90	φ32	φ14	160×110	130×80	SD41-0.5	165	-	-	SLS-2
32-200A	170	170	257.5	506	90	φ32	φ14	160×110	130×80	SD41-0.5	165	-	-	SLS-2
40-100	125	135	152.5	397	80	φ40	φ14	150×100	120×70	SD41-0.5	155	-	-	SLS-1
40-100A	125	135	152.5	397	80	φ40	φ14	150×100	120×70	SD41-0.5	155	-	-	SLS-1
40-125	135	145	237.5	447	85	φ40	φ14	150×100	120×70	SD41-0.5	160	-	-	SLS-1

TTABB- SLS type pump dimension table

Type	Figure dimensions					Foot dimensions				Isolation selection and installing dimensions				
	L1	L2	B	H	h	DN	d1	B1×C1	B2×C2	Vibration isolated pad Type	H1	Vibration isolator Type	H1	Connection board Type
40-125A	135	145	237.5	447	85	φ40	φ14	150×100	120×70	SD41-0.5	160	-	-	SLS-1
40-160	160	160	257.5	487	85	φ40	φ14	150×100	120×70	SD41-0.5	160	-	-	SLS-1
40-160A	160	160	257.5	457	85	φ40	φ14	150×100	120×70	SD41-0.5	160	-	-	SLS-1
40-160B	160	160	237.5	447	85	φ40	φ14	150×100	120×70	SD41-0.5	160	-	-	SLS-1
40-200	170	170	310	558	95	φ40	φ14	170×120	130×80	SD41-0.5	170	-	-	SLS-2
40-200A	170	170	310	558	95	φ40	φ14	170×120	130×80	SD41-0.5	170	-	-	SLS-2
40-200B	170	170	287.5	538	95	φ40	φ14	170×120	130×80	SD41-0.5	170	-	-	SLS-2
40-250	200	200	347.5	620	95	φ40	φ14	170×120	130×80	SD41-0.5	170	JG1-2	193	SLS-2
40-250A	200	200	347.5	620	95	φ40	φ14	170×120	130×80	SD41-0.5	170	JG1-2	193	SLS-2
40-250B	200	200	347.5	620	95	φ40	φ14	170×120	130×80	SD41-0.5	170	JG1-2	193	SLS-2
40-100(I)	140	150	237.5	455	95	φ40	φ14	150×100	120×70	SD41-0.5	170	-	-	SLS-1
40-100(I)A	140	150	237.5	455	95	φ40	φ14	150×100	120×70	SD41-0.5	170	-	-	SLS-1
40-125(I)	150	150	257.5	474	100	φ40	φ14	150×100	120×70	SD41-0.5	175	-	-	SLS-1
40-125(I)A	150	150	237.5	464	100	φ40	φ14	150×100	120×70	SD41-0.5	175	-	-	SLS-1
40-160(I)	160	160	287.5	545	100	φ40	φ14	170×120	130×80	SD41-0.5	175	-	-	SLS-2
40-160(I)A	160	160	257.5	510	100	φ40	φ14	170×120	130×80	SD41-0.5	175	-	-	SLS-2
40-160(I)B	160	160	257.5	510	100	φ40	φ14	170×120	130×80	SD41-0.5	175	-	-	SLS-2
40-200(I)	190	190	247.5	620	100	φ40	φ14	170×120	130×80	SD41-0.5	175	JG1-2	198	SLS-2
40-200(I)A	190	190	310	565	100	φ40	φ14	170×120	130×80	SD41-0.5	175	-	-	SLS-2
40-200(I)B	190	190	287.5	545	100	φ40	φ14	170×120	130×80	SD41-0.5	175	-	-	SLS-2
40-250(I)	220	220	432.5	732	100	φ40	φ18	200×140	160×100	SD41-0.5	185	JG2-2	220	SLS-3
40-250(I)A	220	220	432.5	732	100	φ40	φ18	200×140	160×100	SD41-0.5	185	JG2-2	220	SLS-3
40-250(I)B	220	220	347.5	632	100	φ40	φ18	200×140	160×100	SD41-0.5	185	JG2-2	220	SLS-3
50-100	140	150	237.5	460	95	φ50	φ14	150×100	120×70	SD41-0.5	170	-	-	SLS-1
50-100A	140	150	237.5	460	95	φ50	φ14	150×100	120×70	SD41-0.5	170	-	-	SLS-1
50-125	150	150	257.5	475	100	φ50	φ14	150×100	120×70	SD41-0.5	175	-	-	SLS-1
50-125A	150	150	237.5	465	100	φ50	φ14	150×100	120×70	SD41-0.5	175	-	-	SLS-1
50-160	160	160	287.5	545	100	φ50	φ14	160×110	130×80	SD41-0.5	175	-	-	SLS-2
50-160A	160	160	257.5	510	100	φ50	φ14	160×110	130×80	SD41-0.5	175	-	-	SLS-2
50-160B	160	160	257.5	510	100	φ50	φ14	160×110	130×80	SD41-0.5	175	-	-	SLS-2
50-200	190	190	347.5	620	100	φ50	φ14	160×110	130×80	SD41-0.5	175	JG1-2	198	SLS-2
50-200A	190	190	310	565	100	φ50	φ14	160×110	130×80	SD41-0.5	175	-	-	SLS-2
50-200B	190	190	287.5	545	100	φ50	φ14	160×110	130×80	SD41-0.5	175	-	-	SLS-2
50-250	220	220	432.5	732	100	φ50	φ18	200×140	160×100	SD41-0.5	175	JG2-2	220	SLS-3
50-250A	220	220	432.5	732	100	φ50	φ18	200×140	160×100	SD41-0.5	175	JG2-2	220	SLS-3
50-250B	220	220	347.5	632	100	φ50	φ18	200×140	160×100	SD41-0.5	175	JG2-2	220	SLS-3
50-100(I)	145	160	257.5	485	100	φ50	φ18	200×140	160×100	SD41-0.5	175	-	-	SLS-3
50-100(I)A	145	160	237.5	475	100	φ50	φ18	200×140	160×100	SD41-0.5	175	-	-	SLS-3
50-125(I)	165	175	287.5	545	105	φ50	φ18	200×140	160×100	SD41-0.5	180	-	-	SLS-3
50-125(I)A	165	175	287.5	520	105	φ50	φ18	200×140	160×100	SD41-0.5	180	-	-	SLS-3
50-160(I)	180	180	310	567	105	φ50	φ18	200×140	160×100	SD41-0.5	180	-	-	SLS-3
50-160(I)A	180	180	310	567	105	φ50	φ18	200×140	160×100	SD41-0.5	180	-	-	SLS-3
50-160(I)B	180	180	287.5	547	105	φ50	φ18	200×140	160×100	SD41-0.5	180	-	-	SLS-3
50-200(I)	190	190	347.5	635	115	φ50	φ18	200×140	160×100	SD41-1	185	JG2-2	230	SLS-3



TTABB-Series of Single Stage Single Suction Vertical Centrifugal Pump

TTABB-SLS type pump dimension table

Type	Figure dimensions						Foot dimensions			Isolation selection and installing dimensions				
										Vibration isolated pad	Vibration isolator		Connection board	
	L1	L2	B	H	h	DN	d1	B1×C1	B2×C2	Type	H1	Type	H1	Type
50-200(I)A	190	190	347.5	635	115	φ50	φ18	200×140	160×100	SD41-1	185	JG2-2	230	SLS-3
50-200(I)B	190	190	347.5	635	115	φ50	φ18	200×140	160×100	SD41-1	185	-	-	SLS-3
50-250(I)	240	240	432.5	755	120	φ50	φ18	220×160	180×120	SD41-1	195	JG2-2	240	SLS-4
50-250(I)A	240	240	432.5	755	120	φ50	φ18	220×160	180×120	SD41-1	195	JG2-2	240	SLS-4
50-250(I)B	240	240	432.5	755	120	φ50	φ18	220×160	180×120	SD41-1	195	JG2-2	240	SLS-4
50-315(I)	275	275	525	935	130	φ50	φ18	220×160	180×120	SD41-1.5	205	JG2-2	250	SLS-4
50-315(I)A	275	275	525	935	130	φ50	φ18	220×160	180×120	SD41-1.5	205	JG2-2	250	SLS-4
50-315(I)B	275	275	475	830	130	φ50	φ18	220×160	180×120	SD41-1.5	205	JG2-2	250	SLS-4
65-100	160	160	257.5	485	105	φ65	φ18	200×140	160×100	SD41-0.5	175	-	-	SLS-3
65-100A	160	160	237.5	475	105	φ65	φ18	200×140	160×100	SD41-0.5	175	-	-	SLS-3
65-125	165	175	287.5	545	105	φ65	φ18	200×140	160×100	SD41-0.5	180	-	-	SLS-3
65-125A	165	175	257.5	520	105	φ65	φ18	200×140	160×100	SD41-0.5	180	-	-	SLS-3
65-160	180	180	310	567	105	φ65	φ18	200×140	160×100	SD41-0.5	180	-	-	SLS-3
65-160A	180	180	310	567	105	φ65	φ18	200×140	160×100	SD41-0.5	180	-	-	SLS-3
65-160B	180	180	287.5	547	105	φ65	φ18	200×140	160×100	SD41-0.5	180	-	-	SLS-3
65-200	190	190	347.5	635	110	φ65	φ18	200×140	160×100	SD61-0.5	185	JG2-2	230	SLS-3
65-200A	190	190	347.5	635	110	φ65	φ18	200×140	160×100	SD61-0.5	185	JG2-2	230	SLS-3
65-200B	190	190	347.5	635	110	φ65	φ18	200×140	160×100	SD61-0.5	185	JG2-2	230	SLS-3
65-250	240	240	432.5	755	120	φ65	φ18	220×160	180×120	SD61-1	195	JG2-2	240	SLS-4
65-250A	240	240	432.5	755	120	φ65	φ18	220×160	180×120	SD61-1	195	JG2-2	240	SLS-4
65-250B	240	240	432.5	755	120	φ65	φ18	220×160	180×120	SD61-0.5	195	JG2-2	240	SLS-4
65-315	275	275	525	935	130	φ65	φ18	220×160	180×120	SD61-1.5	205	JG2-2	250	SLS-4
65-315A	275	275	525	935	130	φ65	φ18	220×160	180×120	SD61-1.5	205	JG2-2	250	SLS-4
65-315B	275	275	475	830	130	φ65	φ18	220×160	180×120	SD61-1	205	JG2-2	250	SLS-4
65-100(I)	190	210	287.5	585	120	φ65	φ18	200×140	160×100	SD61-0.5	195	-	-	SLS-3
65-100(I)A	190	210	257.5	550	120	φ65	φ18	200×140	160×100	SD61-0.5	195	-	-	SLS-3
65-125(I)	200	200	347.5	650	130	φ65	φ18	200×140	160×100	SD61-1	205	JG2-2	250	SLS-3
65-125(I)A	200	200	310	595	130	φ65	φ18	200×140	160×100	SD61-0.5	205	-	-	SLS-3
65-160(I)	200	200	347.5	650	120	φ65	φ18	200×140	160×100	SD61-1	195	JG2-2	240	SLS-3
65-160(I)A	200	200	347.5	650	120	φ65	φ18	200×140	160×100	SD61-0.5	195	JG2-2	240	SLS-3
65-160(I)B	200	200	347.5	650	120	φ65	φ18	200×140	160×100	SD61-0.5	195	JG2-2	240	SLS-3
65-200(I)	215	215	432.5	765	125	φ65	φ18	200×140	160×100	SD61-1	200	JG2-2	245	SLS-3
65-200(I)A	215	215	432.5	765	125	φ65	φ18	200×140	160×100	SD61-1	200	JG2-2	245	SLS-3
65-200(I)B	215	215	432.5	765	125	φ65	φ18	200×140	160×100	SD61-1	200	JG2-2	245	SLS-3
65-250(I)	240	240	475	835	130	φ65	φ18	220×160	180×120	SD61-1.5	205	JG2-2	250	SLS-4
65-250(I)A	240	240	432.5	815	130	φ65	φ18	220×160	180×120	SD61-1.5	205	JG2-2	250	SLS-4
65-250(I)B	240	240	432.5	770	130	φ65	φ18	220×160	180×120	SD61-1	205	JG2-2	250	SLS-4
65-315(I)	290	290	582.5	1080	140	φ65	φ22	280×200	220×160	SD61-1.5	215	JG3-2	282	SLS-6
65-315(I)A	290	290	525	1030	140	φ65	φ22	280×200	220×160	SD61-1	215	JG3-2	282	SLS-6
65-315(I)B	290	290	525	955	140	φ65	φ22	280×200	220×160	SD61-1	215	JG3-2	282	SLS-6
80-100	190	210	287.5	580	125	φ80	φ18	200×140	160×100	SD61-0.5	200	-	-	SLS-3
80-100A	190	210	257.5	545	125	φ80	φ18	200×140	160×100	SD61-0.5	200	-	-	SLS-3
80-125	200	200	347.5	650	130	φ80	φ18	200×140	160×100	SD61-0.5	205	JG2-2	250	SLS-3
80-125A	200	200	310	605	130	φ80	φ18	200×140	160×100	SD61-0.5	205	JG2-2	250	SLS-3

TTABB-SLS type pump dimension table

Type	Figure dimensions						Foot dimensions			Isolation selection and installing dimensions				
										Vibration isolated pad	Vibration isolator		Connection board	
	L1	L2	B	H	h	DN	d1	B1×C1	B2×C2	Type	H1	Type	H1	Type
80-160	200	200	347.5	660	120	φ80	φ18	200×140	160×100	SD61-1	195	JG2-2	240	SLS-3
80-160A	200	200	347.5	660	120	φ80	φ18	200×140	160×100	SD61-1	195	JG2-2	240	SLS-3
80-160B	200	200	347.5	660	120	φ80	φ18	200×140	160×100	SD61-0.5	195	JG2-2	240	SLS-3
80-200	215	215	432.5	765	125	φ80	φ18	200×140	160×100	SD61-1	200	JG2-2	245	SLS-3
80-200A	215	215	432.5	765	125	φ80	φ18	200×140	160×100	SD61-1	200	JG2-2	245	SLS-3
80-200B	215	215	432.5	765	125	φ80	φ18	200×140	160×100	SD61-1	200	JG2-2	245	SLS-3
80-250	240	240	475	835	130	φ80	φ18	220×160	180×120	SD61-1	205	JG2-2	250	SLS-4
80-250A	240	240	432.5	815	130	φ80	φ18	220×160	180×120	SD61-1	205	JG2-2	250	SLS-4
80-250B	240	240	432.5	770	130	φ80	φ18	220×160	180×120	SD61-1	205	JG2-2	250	SLS-4
80-315	290	290	582.5	1085	140	φ80	φ22	280×220	220×160	SD61-1.5	215	JG3-2	282	SLS-6
80-315A	290	290	525	1030	140	φ80	φ22	280×220	220×160	SD61-1	215	JG3-2	282	SLS-6
80-315B	290	290	525	1030	140	φ80	φ22	280×220	220×160	SD61-1	215	JG3-2	282	SLS-6
80-315C	290	290	525	1030	140	φ80	φ22	280×220	220×160	SD61-1	215	JG3-2	282	SLS-6
80-350	315	335	642.5	1210	165	φ80	φ22	280×200	220×160	SD61-1.5	240	JG3-2	307	SLS-6
80-350A	315	335	582.5	1110	165	φ80	φ22	280×200	220×160	SD61-1.5	240	JG3-2	307	SLS-6
80-350B	315	335	525	1005	165	φ80	φ22	280×200	220×160	SD61-1.5	240	JG3-2	307	SLS-6
80-100(I)	220	240	347.5	658	130	φ80	φ18	220×160	180×120	SD61-1	205	JG2-2	250	SLS-4
80-100(I)A	220	240	310	603	130	φ80	φ18	220×160	180×120	SD61-0.5	205	-	-	SLS-4
80-125(I)	215	225	432.5	793	140	φ80	φ18	220×160	180×120	SD61-1	215	JG2-2	260	SLS-4
80-125(I)A	215	225	347.5	693	140	φ80	φ18	220×160	180×120	SD61-1	215	JG2-2	260	SLS-4
80-160(I)	240	260	432.5	798	150	φ80	φ18	220×160	180×120	SD61-1	225	JG2-2	270	SLS-4
80-160(I)A	240	260	432.5	798	150	φ80	φ18	220×160	180×120	SD61-1	225	JG2-2	270	SLS-4
80-160(I)B	240	260	432.5	798	150	φ80	φ18	220×160	180×120	SD61-1	225	JG2-2	270	SLS-4
80-200(I)	240	240	475	846	135	φ80	φ18	220×160	180×120	SD61-1	210	JG2-2	255	SLS-4
80-200(I)A	240	240	432.5	826	135	φ80	φ18	220×160	180×120	SD61-1	210	JG2-2	255	SLS-4
80-200(I)B	240	240	432.5	781	135	φ80	φ18	220×160	180×120	SD61-1	210	JG2-2	255	SLS-4
80-250(I)	270	270	525	963	145	φ80	φ18	220×160	180×120	SD61-1	220	JG2-2	287	SLS-4
80-250(I)A	270	270	525	963	145	φ80	φ18	220×160	180×120	SD61-1	220	JG2-2	287	SLS-4
80-250(I)B	270	270	525	963	145	φ80	φ18	220×160	180×120	SD61-1	220	JG2-2	287	SLS-4
80-315(I)	315	315	700	1260	160	φ80	φ22	270×210	220×160	SD61-1	235	JG3-2	302	SLS-6
80-315(I)A	315	315	642.5	1211	160	φ80	φ22	270×210	220×160	SD61-1	235	JG3-2	302	SLS-6
80-315(I)B	315	315	642.5	1211	160	φ80	φ22	270×210	220×160	SD61-1	235	JG3-2	302	SLS-6
80-315(I)C	315	315	525	981	160	φ80	φ22	270×210	220×160	SD61-1	235	JG3-2	302	SLS-6
100-100	220	240	347.5	658	130	φ100	φ18	220×160	180×120	SD61-1	205	-	-	SLS-4
100-100A	220	240	310	603	130	φ100	φ18	220×160	180×120	SD61-1	205	-	-	SLS-4
100-125	215	235	432.5	793	140	φ100	φ18	220×160	180×120	SD61-1	215	JG2-2	260	SLS-4
100-125A	215	235	347.5	693	140	φ100	φ18	220×160	180×120	SD61-1	215	-	-	SLS-4
100-160	240	260	432.5	798</										



TTABB-Series of Single Stage Single Suction Vertical Centrifugal Pump

TTABB-SLS type pump dimension table

Type	Figure dimensions						Foot dimensions			Isolation selection and installing dimensions				
										Vibration isolated pad	Vibration isolator		Connection board	
	L1	L2	B	H	h	DN	d1	B1×C1	B2×C2	Type	H1	Type	H1	Type
100-250A	270	270	525	963	145	φ 100	φ 18	220×160	180×120	SD62-1.5	243	JG2-2	265	SLS-4
100-250B	270	270	525	963	145	φ 100	φ 18	220×160	180×120	SD62-1	243	JG2-2	265	SLS-4
100-315	315	315	700	1260	160	φ 100	φ 22	280×220	220×160	SD62-1.5	258	JG3-2	302	SLS-6
100-315A	315	315	642.5	1211	160	φ 100	φ 22	280×220	220×160	SD62-1.5	258	JG3-2	302	SLS-6
100-315B	315	315	642.5	1211	160	φ 100	φ 22	280×220	220×160	SD62-1.5	258	JG3-2	302	SLS-6
100-350	340	340	700	1375	180	φ 100	φ 22	320×240	280×200	SD62-2	278	JG3-2	322	SLS-10
100-350A	340	340	700	1325	180	φ 100	φ 22	320×240	280×200	SD62-2	278	JG3-2	322	SLS-10
100-350B	340	340	700	1325	180	φ 100	φ 22	320×240	280×200	SD62-2	278	JG3-2	322	SLS-10
125-100	250	270	347.5	695	145	φ 125	φ 22	280×220	220×160	SD62-1	220	JG3-2	265	SLS-6
125-100A	250	270	347.5	695	145	φ 125	φ 22	280×220	220×160	SD62-1	220	JG3-2	265	SLS-6
125-125	250	270	432.5	795	145	φ 125	φ 22	280×220	220×160	SD62-1	220	JG3-2	265	SLS-6
125-125A	250	270	432.5	795	145	φ 125	φ 22	280×220	220×160	SD61-1	220	JG3-2	265	SLS-6
125-160	250	270	475	940	165	φ 125	φ 22	280×220	220×160	SD61-1	240	JG3-2	307	SLS-6
125-160A	250	270	432.5	860	165	φ 125	φ 22	280×220	220×160	SD61-1	240	JG3-2	307	SLS-6
125-160B	250	270	432.5	815	165	φ 125	φ 22	280×220	220×160	SD61-1	240	JG3-2	307	SLS-6
125-200	280	290	525	1020	160	φ 125	φ 22	280×220	220×160	SD61-1	265	JG3-2	332	SLS-6
125-200A	280	290	525	1020	160	φ 125	φ 22	280×220	220×160	SD61-1	265	JG3-2	332	SLS-6
125-200B	280	290	475	915	160	φ 125	φ 22	280×220	220×160	SD61-1	265	JG3-2	332	SLS-6
125-250	330	350	642.5	1260	200	φ 125	φ 22	280×220	220×160	SD62-1	298	JG3-2	342	SLS-6
125-250A	330	350	582.5	1160	200	φ 125	φ 22	280×220	220×160	SD62-1	298	JG3-2	342	SLS-6
125-250B	330	350	525	1105	200	φ 125	φ 22	280×220	220×160	SD62-1	298	JG3-2	342	SLS-6
125-315	340	345	700	1390	195	φ 125	φ 22	360×310	300×250	SD62-1	293	JG3-2	337	SLS-12
125-315A	340	345	700	1340	195	φ 125	φ 22	360×310	300×250	SD62-1	293	JG3-2	337	SLS-12
125-315B	340	345	700	1340	195	φ 125	φ 22	360×310	300×250	SD62-1	293	JG3-2	337	SLS-12
150-125	260	260	432.5	793	145	φ 150	φ 22	280×200	220×160	SD41-1.5	220	JG3-2	265	SLS-6
150-125A	260	260	432.5	793	145	φ 150	φ 22	280×200	220×160	SD41-1.5	220	JG3-2	265	SLS-6
150-160	250	270	475	943	170	φ 150	φ 22	280×220	220×160	SD61-1	245	JG3-2	312	SLS-6
150-160A	250	270	432.5	863	170	φ 150	φ 22	280×220	220×160	SD61-1	245	JG3-2	312	SLS-6
150-160B	250	270	432.5	818	170	φ 150	φ 22	280×220	220×160	SD61-1	245	JG3-2	312	SLS-6
150-200	340	340	449	895	190	φ 150	φ 22	300×250	260×210	SD62-1	288	JG3-2	332	SLS-8
150-200A	340	340	449	850	190	φ 150	φ 22	300×250	260×210	SD62-1	288	JG3-2	332	SLS-8
150-200B	340	340	412	790	190	φ 150	φ 22	300×250	260×210	SD62-1	288	JG3-2	332	SLS-8
150-250	340	360	475	980	195	φ 150	φ 22	300×250	260×210	SD62-1	293	JG3-2	337	SLS-8
150-250A	340	360	449	900	195	φ 150	φ 22	300×250	260×210	SD62-1	293	JG3-2	337	SLS-8
150-250B	340	360	449	855	195	φ 150	φ 22	300×250	260×210	SD62-1	293	JG3-2	337	SLS-8
150-315	370	390	525	1100	195	φ 150	φ 22	310×260	260×210	SD62-1	293	JG3-2	337	SLS-8
150-315A	370	390	475	1020	195	φ 150	φ 22	310×260	260×210	SD62-1	293	JG3-2	337	SLS-8
150-315B	370	390	475	980	195	φ 150	φ 22	310×260	260×210	SD62-1	293	JG3-2	337	SLS-8
150-350	390	410	898.5	1610	225	φ 150	φ 22	380×300	300×250	SD62-1.5	323	JG3-2	413	SLS-12
150-350A	390	410	898.5	1610	225	φ 150	φ 22	380×300	300×250	SD62-1.5	323	JG3-2	413	SLS-12
150-350B	390	410	700	1370	225	φ 150	φ 22	380×300	300×250	SD62-1.5	323	JG3-2	413	SLS-12
150-400	400	400	582.5	1160	200	φ 150	φ 22	310×260	260×210	SD62-1.5	298	JG3-2	342	SLS-12
150-400A	400	400	582.5	1135	200	φ 150	φ 22	310×260	260×210	SD62-1	298	JG3-2	342	SLS-8
150-400B	400	400	525	1105	200	φ 150	φ 22	310×260	260×210	SD62-1	298	JG3-2	342	SLS-8

TTABB-SLS type pump dimension table

Type	Figure dimensions						Foot dimensions			Isolation selection and installing dimensions				
										Vibration isolated pad	Vibration isolator		Connection board	
	L1	L2	B	H	h	DN	d1	B1×C1	B2×C2	Type	H1	Type	H1	Type
150-400C	400	400	475	1025	200	φ 150	φ 22	310×260	260×210	SD62-1	298	JG3-2	342	SLS-8
150-500	510	510	582.5	1272	240	φ 150	φ 22	360×310	300×250	SD62-1	328	JG3-2	372	SLS-12
150-500A	510	510	582.5	1272	240	φ 150	φ 22	360×310	300×250	SD62-1	328	JG3-2	372	SLS-12
150-500B	510	510	565	1200	240	φ 150	φ 22	360×310	300×250	SD62-1	328	JG3-2	372	SLS-12
150-250(I)	340	360	700	1335	195	φ 150	φ 22	300×250	260×210	SD62-1	293	JG3-2	337	SLS-8
150-250(I)A	340	360	642.5	1250	195	φ 150	φ 22	300×250	260×210	SD62-1	293	JG3-2	337	SLS-8
150-250(I)B	340	360	582.5	1150	195	φ 150	φ 22	300×250	260×210	SD62-1	293	JG3-2	337	SLS-8
150-315(I)	390	410	898.5	1600	225	φ 150	φ 22	380×300	300×250	SD62-1.5	293	JG3-2	337	SLS-12
150-315(I)A	390	410	700	1410	225	φ 150	φ 22	380×300	300×250	SD62-1.5	293	JG3-2	337	SLS-12
150-315(I)B	390	410	700	1275	225	φ 150	φ 22	380×300	300×250	SD62-1.5	293	JG3-2	337	SLS-12
200-200	370	400	449	910	235	φ 200	φ 22	380×300	300×250	SD62-1	303	JG3-2	347	SLS-12
200-200A	370	400	449	865	235	φ 200	φ 22	380×300	300×250	SD62-1	303	JG3-2	347	SLS-12
200-250	400	400	475	1000	220	φ 200	φ 22	380×300	300×250	SD62-1	313	JG3-2	357	SLS-12
200-250A	400	400	449	920	220	φ 200	φ 22	380×300	300×250	SD62-1	313	JG3-2	357	SLS-12
200-250B	400	400	449	875	220	φ 200	φ 22	380×300	300×250	SD62-1	313	JG3-2	357	SLS-12
200-315	400	400	525	1105	200	φ 200	φ 22	310×260	260×210	SD62-1	298	JG3-2	342	SLS-8
200-315A	400	400	475	1025	200	φ 200	φ 22	310×260	260×210	SD62-1	298	JG3-2	342	SLS-8
200-315B	400	400	475	985	200	φ 200	φ 22	310×260	260×210	SD62-1	298	JG3-2	342	SLS-8
200-400	430	430	582.5	1190	230	φ 200	φ 22	360×310	300×250	SD62-1	328	JG3-2	372	SLS-12
200-400A	430	430	582.5	1165	230	φ 200	φ 22	360×310	300×250	SD62-1	328	JG3-2	372	SLS-12
200-400B	430	430	525	1135	230	φ 200	φ 22	360×310	300×250	SD62-1	328	JG3-2	372	SLS-12
200-400C	430	430	475	1055	230	φ 200	φ 22	360×310	300×250	SD62-1	328	JG3-2	372	SLS-12
200-200G	380	435	475	968	245	φ 200	φ 22	370×300	300×250	SD62-1	333	JG3-2	377	SLS-12
200-200GA	380	435	432.5	943	245	φ 200	φ 22	370×300	300×250	SD62-1	333	JG3-2	377	SLS-12
200-250G	400	450	475	1071	235	φ 200	φ 22	370×300	300×250	SD62-1	333	JG3-2	377	SLS-12
200-250GA	400	450	475	1031	235	φ 200	φ 22	370×300	300×250	SD62-1	333	JG3-2	377	SLS-12
200-250GB	400	450	420	1006	235	φ 200	φ 22	370×300	300×250	SD62-1	333	JG3-2	377	SLS-12
200-315G	450	450	582.5	1125	245	φ 200	φ 22	380×300	300×250	SD62-1	343	JG3-2	387	SLS-12
200-315GA	450	450	582.5	1100	245	φ 200	φ 22	380×300	300×250	SD62-1	343	JG3-2	387	SLS-12
200-315GB	450	450	525	1075	245	φ 200	φ 22	380×300	300×250	SD62-1	343	JG3-2	387	SLS-12
200-400G	440	460	700	1280	240	φ 200	φ 22	380×300	300×250	SD62-1	338	JG3-2	382	SLS-12
200-400GA	440	460	642.5	1210	240	φ 200	φ 22	380×300	300×250	SD62-1	338	JG3-2	382	SLS-12
200-400GB	440	460	582.5	1215	240	φ 200	φ 22	380×300	300×250	SD62-1	338	JG3-2	382	SLS-12
200-400GC	440	460	582.5	1190	240	φ 200	φ 22	380×300	300×250	SD62-1	338	JG3-2	382	SLS-12
200-500G	540	550	898.5	1557	280	φ 200	φ 22	360×310	300×250	SD62-1				



TTABB-Series of Single Stage Single Suction Vertical Centrifugal Pump

TTABB- SLS type pump dimension table

Type	Figure dimensions						Foot dimensions				Isolation selection and installing dimensions				
	L1	L2	B	H	h	DN	d1	B1×C1	B2×C2	Vibration isolated pad		Vibration isolator		Connection board	
										Type	H1	Type	H1	Type	
200-315(I)A	420	440	582.5	1200	225	φ200	φ22	360×300	300×250	SD62-1	323	JG3-2	367	SLS-12	
200-315(I)B	420	440	582.5	1175	225	φ200	φ22	360×300	300×250	SD62-1	323	JG3-2	367	SLS-12	
200-400(I)	440	440	700	1465	240	φ200	φ22	360×310	300×250	SD62-1.5	338	JG3-2	382	SLS-12	
200-400(I)A	440	440	700	1400	240	φ200	φ22	360×310	300×250	SD62-1.5	338	JG3-2	382	SLS-12	
200-400(I)B	440	440	642.5	1315	240	φ200	φ22	360×310	300×250	SD62-1	338	JG3-2	382	SLS-12	
200-400(I)C	440	440	582.5	1215	240	φ200	φ22	360×310	300×250	SD62-1	378	JG3-2	382	SLS-12	
200-500(I)	540	550	898.5	1817	280	φ200	φ22	360×310	300×250	SD62-1	378	JG3-2	422	SLS-12	
200-500(I)A	540	550	898.5	1717	280	φ200	φ22	360×310	300×250	SD62-1	378	JG3-2	422	SLS-12	
200-500(I)B	540	550	700	1505	280	φ200	φ22	360×310	300×250	SD62-1	378	JG3-2	422	SLS-12	
200-500(I)C	540	550	700	1455	280	φ200	φ22	360×310	300×250	SD62-1	378	JG3-2	422	SLS-12	
250-250	530	570	506	940	300	φ250	φ22	400×350	350×300	SD62-1	333	JG3-2	377	SLS-13	
250-250(I)	530	570	582.5	1195	300	φ250	φ22	400×350	350×300	SD62-1	333	JG3-2	377	SLS-13	
250-250(I)A	530	570	582.5	1170	300	φ250	φ22	400×350	350×300	SD62-1	333	JG3-2	377	SLS-13	
250-235	530	570	514	1080	300	φ250	φ22	400×350	350×300	SD62-1	353	JG3-2	397	SLS-13	
250-300	530	570	582.5	1125	300	φ250	φ22	400×350	350×300	SD62-1	378	JG3-2	422	SLS-13	
250-315	530	570	700	1455	300	φ250	φ22	400×350	350×300	SD62-1.5	398	JG3-2	442	SLS-12	
250-315A	530	570	642.5	1370	300	φ250	φ22	400×350	350×300	SD62-1.5	398	JG3-2	442	SLS-12	
250-315B	530	570	582.5	1180	300	φ250	φ22	400×350	350×300	SD62-1.5	398	JG3-2	442	SLS-12	
250-400	560	640	700	1550	310	φ250	φ26	500×400	430×330	SD62-1.5	408	JG4-2	498	SLS-15	
250-400A	560	640	700	1550	310	φ250	φ26	500×400	430×330	SD62-1.5	408	JG4-2	498	SLS-15	
250-400B	560	640	700	1500	310	φ250	φ26	500×400	430×330	SD62-1.5	408	JG4-2	498	SLS-15	
250-500	620	650	898.5	1880	350	φ250	φ26	500×400	450×350	SD62-1.5	448	JG4-2	538	SLS-16	
250-500A	620	650	898.5	1880	350	φ250	φ26	500×400	450×350	SD62-1.5	448	JG4-2	538	SLS-16	
250-500B	620	650	898.5	1780	350	φ250	φ26	500×400	450×350	SD62-1.5	448	JG4-2	538	SLS-16	
250-500C	620	650	700	1590	350	φ250	φ26	500×400	450×350	SD62-1.5	448	JG4-2	538	SLS-16	
300-235	570	630	642.5	1370	380	φ300	φ26	500×400	450×350	SD62-1.5	398	JG4-2	488	SLS-14	
300-235A	570	630	582.5	1270	380	φ300	φ26	500×400	450×350	SD62-1.5	398	JG4-2	488	SLS-14	
300-235B	570	630	582.5	1245	380	φ300	φ26	500×400	450×350	SD62-1.5	398	JG4-2	488	SLS-14	
300-250	570	630	642.5	1385	380	φ300	φ26	500×400	450×350	SD62-1.5	398	JG4-2	488	SLS-14	
300-250A	570	630	582.5	1285	380	φ300	φ26	500×400	450×350	SD62-1.5	398	JG4-2	488	SLS-14	
300-300	550	650	761	1557	365	φ300	φ26	500×400	430×330	SD62-1.5	468	JG4-2	558	SLS-15	
300-300A	550	650	749	1472	365	φ300	φ26	500×400	430×330	SD62-1.5	468	JG4-2	558	SLS-15	
300-300B	550	650	749	1372	365	φ300	φ26	500×400	430×330	SD62-1.5	468	JG4-2	558	SLS-15	
300-315	570	630	761	1610	380	φ300	φ26	500×400	450×350	SD62-2	478	JG4-2	568	SLS-16	
300-315A	570	630	761	1555	380	φ300	φ26	500×400	450×350	SD62-2	478	JG4-2	568	SLS-16	
300-315B	570	630	749	1470	380	φ300	φ26	500×400	450×350	SD62-1.5	478	JG4-2	568	SLS-16	
300-400	595	705	927	1800	360	φ300	φ26	530×480	480×430	SD62-2	458	JG4-2	548	SLS-18	
300-400A	595	705	761	1610	360	φ300	φ26	530×480	480×430	SD62-2	458	JG4-2	548	SLS-18	
300-450	595	605	980	1920	380	φ300	φ26	530×480	480×430	SD62-2	458	JG4-2	548	SLS-18	
300-450A	595	605	980	1820	380	φ300	φ26	530×480	480×430	SD62-2	458	JG4-2	548	SLS-18	
300-450B	595	605	761	1610	380	φ300	φ26	530×480	480×430	SD62-2	458	JG4-2	548	SLS-18	
300-450C	595	605	761	1545	380	φ300	φ26	530×480	480×430	SD62-2	458	JG4-2	548	SLS-18	

TTABB- SLS type pump dimension table

Type	Figure dimensions						Foot dimensions				Isolation selection and installing dimensions				
	L1	L2	B	H	h	DN	d1	B1×C1	B2×C2	Vibration isolated pad		Vibration isolator		Connection board	
										Type	H1	Type	H1	Type	
300-500	670	750	1055	2015	400	φ300	φ26	550×480	480×430	SD62-2.5	498	JG4-2	588	SLS-18	
300-500A	670	750	982	1780	400	φ300	φ26	550×480	480×430	SD62-2.5	498	JG4-2	588	SLS-18	
300-500B	670	750	982	1780	400	φ300	φ26	550×480	480×430	SD62-2.5	498	JG4-2	588	SLS-18	
300-500C	670	750	982	1670	400	φ300	φ26	550×480	480×430	SD62-2.5	498	JG4-2	588	SLS-18	
350-235	550	640	750	1335	360	φ350	φ26	500×450	450×400	SD62-1.5	458	JG4-2	548	SLS-17	
350-300	550	640	761	1545	360	φ350	φ26	500×450	450×400	SD62-1.5	458	JG4-2	548	SLS-17	
350-315	550	640	761	1605	360	φ350	φ26	500×450	450×400	SD62-2	458	JG4-2	548	SLS-17	
350-400	655	745	927	1960	400	φ350	φ26	500×450	450×400	SD62-2.5	498	JG4-2	588	SLS-17	
350-450	810	890	960	1790	460	φ350	φ26	550×500	480×430	SD62-2.5	528	JG4-2	618	SLS-18	
350-450A	810	890	960	1680	460	φ350	φ26	550×500	480×430	SD62-2.5	528	JG4-2	618	SLS-18	
350-525	810	890	1055	2020	460	φ350	φ26	550×500	480×430	SD62-2.5	528	JG4-2	618	SLS-18	
350-525A	810	890	960	1790	460	φ350	φ26	550×500	480×430	SD62-2.5	528	JG4-2	618	SLS-18	
350-525B	810	890	960	1790	460	φ350	φ26	550×500	480×430	SD62-2.5	528	JG4-2	618	SLS-18	
350-600	810	890	1055	2050	460	φ350	φ26	550×500	480×430	SD62-4	548	JG4-2	638	SLS-18	
350-600A	810	890	1055	2050	460	φ350	φ26	550×500	480×430	SD62-4	548	JG4-2	638	SLS-18	
350-600B	810	890	1055	2050	460	φ350	φ26	550×500	480×430	SD62-4	548	JG4-2	638	SLS-18	
350-315G	550	640	850	1906	360	φ350	φ26	500×450	450×400	SD62-2	458	JG4-2	548	SLS-17	
350-315GA	550	640	850	1806	360	φ350	φ26	500×450	450×400	SD62-2	458	JG4-2	548	SLS-17	
350-315GB	550	640	730	1616	360	φ350	φ26	500×450	450×400	SD62-2	458	JG4-2	548	SLS-17	
350-400G	655	745	927	1960	400	φ350	φ26	500×450	450×400	SD62-2.5	498	JG4-2	588	SLS-17	
350-400GA	655	745	927	1960	400	φ350	φ26	500×450	450×400	SD62-2.5	498	JG4-2	588	SLS-17	
350-400GB	655	745	927	1800	400	φ350	φ26	500×450	450×400	SD62-2.5	498	JG4-2	588	SLS-17	
350-450G	770	830	960	1680	450	φ350	φ26	550×500	480×430	SD62-2.5	528	JG4-2	618	SLS-18	
350-450GA	770	830	840	1490	450	φ350	φ26	550×500	480×430	SD62-2.5	528	JG4-2	618	SLS-18	
350-525G	770	830	960	1790	450	φ350	φ26	550×500	480×430	SD62-2.5	528	JG4-2	618	SLS-18	
350-525GA	770	830	960	1790	450	φ350	φ26	550×500	480×430	SD62-2.5	528	JG4-2	618	SLS-18	
350-525GB	770	830	960	1790	450	φ350	φ26	550×500	480×430	SD62-2.5	528	JG4-2	618	SLS-18	
350-620G	820	880	1055	2050	460	φ350	φ26	550×500	480×430	SD62-4	548	JG4-2	638	SLS-18	
350-620GA	820	880	1055	2050	460	φ350	φ26	550×500	480×430	SD62-4	548	JG4-2	638	SLS-18	
350-620GB	820	880	930	2000	460	φ350	φ26	550×500	480×430	SD62-4	548	JG4-2	638	SLS-18	
350-315(I)	650	700	850	1926	380	φ350	φ26	500×450	450×400	SD62-2	458	JG4-2	548	SLS-17	
350-315(I)A	650	700	850	1926	380	φ350	φ26	500×450	450×400	SD62-2	458	JG4-2	548	SLS-17	
350-315(I)B	650	700	850	1826	380	φ350	φ26	500×450	450×400	SD62-2	458	JG4-2	548	SLS-17	
350-400(I)	655	795	1055	1960	400	φ350	φ26	500×450	450×400	SD62-2	458	JG4-2	588	SLS-17	
350-400(I)A	655	795	960	1960	400	φ350	φ26	500×450	450×400	SD62-2	458	JG4-2	588	SLS-17	
350-400(I)B	655	795	960	1960	400	φ350	φ26	500×450	450×400	SD62-2	458	JG4-2	588	SLS-17	
400-300	650	700	761	1656	380	φ400	φ26	550×450							

TTABB-SLSD type pump dimension table

Type	Figure dimensions						Foot dimensions			Isolation selection and installing dimensions				
	L1	L2	B	H	h	DN	d1	B1×C1	B2×C2	Vibration isolated pad		Vibration isolator		Connection board
										Type	H1	Type	H1	Type
40-160	160	160	160.5	404	85	φ40	φ14	150×100	120×70	SD41-0.5	160	-	-	SLS-1
40-200	170	170	237.5	463	95	φ40	φ14	170×120	130×80	SD41-0.5	170	-	-	SLS-2
40-250	200	200	267.5	480	95	φ40	φ14	170×120	130×80	SD41-0.5	170	-	-	SLS-2
40-250A	200	200	255	470	95	φ40	φ14	170×120	130×80	SD41-0.5	170	-	-	SLS-2
40-250B	200	200	255	470	95	φ40	φ14	170×120	130×80	SD41-0.5	170	-	-	SLS-2
40-125(I)	150	150	160.5	421	100	φ40	φ14	150×100	120×70	SD41-0.5	175	-	-	SLS-1
40-160(I)	160	160	237.5	470	100	φ40	φ14	170×120	130×80	SD41-0.5	175	-	-	SLS-2
40-200(I)	190	190	241	470	100	φ40	φ14	170×120	130×80	SD41-0.5	175	-	-	SLS-2
40-250(I)	220	220	309	532	100	φ40	φ18	200×140	160×100	SD41-0.5	185	-	-	SLS-3
40-250(I)A	220	220	309	502	100	φ40	φ18	200×140	160×100	SD41-0.5	185	-	-	SLS-3
40-250(I)B	220	220	309	502	100	φ40	φ18	200×140	160×100	SD41-0.5	185	-	-	SLS-3
50-125	150	150	160.5	422	100	φ50	φ14	150×100	120×70	SD41-0.5	175	-	-	SLS-1
50-160	160	160	237.5	470	100	φ50	φ14	170×120	130×80	SD41-0.5	175	-	-	SLS-2
50-200	190	190	241	470	100	φ50	φ14	170×120	130×80	SD41-0.5	175	-	-	SLS-2
50-250	220	220	309	532	100	φ50	φ18	200×140	160×100	SD41-0.5	175	-	-	SLS-3
50-250A	220	220	309	502	100	φ50	φ18	200×140	160×100	SD41-0.5	175	-	-	SLS-3
50-250B	220	220	309	502	100	φ50	φ18	200×140	160×100	SD41-0.5	175	-	-	SLS-3
50-125(I)	165	175	237.5	480	105	φ50	φ18	200×140	160×100	SD41-0.5	180	-	-	SLS-3
50-160(I)	180	180	237.5	472	105	φ50	φ18	200×140	160×100	SD41-0.5	180	-	-	SLS-3
50-200(I)	190	190	257.5	495	115	φ50	φ18	200×140	160×100	SD41-0.5	185	-	-	SLS-3
50-200(I)A	190	190	257.5	495	115	φ50	φ18	200×140	160×100	SD41-0.5	185	-	-	SLS-3
50-250(I)	240	240	305	560	120	φ50	φ18	200×160	180×120	SD41-0.5	195	-	-	SLS-4
50-250(I)A	240	240	292	535	120	φ50	φ18	220×160	180×120	SD41-0.5	195	-	-	SLS-4
50-250(I)B	240	240	292	535	120	φ50	φ18	220×160	180×120	SD41-0.5	195	-	-	SLS-4
50-315(I)	275	275	327	600	130	φ50	φ18	220×160	180×120	SD41-1	205	JG2-2	250	SLS-4
50-315(I)A	275	275	292	545	130	φ50	φ18	220×160	180×120	SD41-1.5	205	JG2-2	250	SLS-4
50-315(I)B	275	275	292	545	130	φ50	φ18	220×160	180×120	SD41-1.5	205	JG2-2	250	SLS-4
65-125	165	175	237.5	480	105	φ65	φ18	200×140	160×100	SD41-0.5	180	-	-	SLS-3
65-160	180	180	237.5	472	105	φ65	φ18	200×140	160×100	SD41-0.5	180	-	-	SLS-3
65-200	190	190	257.5	495	110	φ65	φ18	200×140	160×100	SD61-0.5	185	-	-	SLS-3
65-200A	190	190	257.5	495	110	φ65	φ18	200×140	160×100	SD61-0.5	185	-	-	SLS-3
65-250	240	240	305	560	120	φ65	φ18	200×160	180×120	SD61-0.5	195	JG2-2	240	SLS-4
65-250A	240	240	292	535	120	φ65	φ18	220×160	180×120	SD61-0.5	195	JG2-2	240	SLS-4
65-250B	240	240	292	535	120	φ65	φ18	220×160	180×120	SD61-0.5	195	-	-	SLS-4
65-315	275	275	327	600	130	φ65	φ18	220×160	180×120	SD61-0.5	205	JG2-2	250	SLS-4
65-315A	275	275	292	545	130	φ65	φ18	220×160	180×120	SD61-0.5	205	JG2-2	250	SLS-4
65-315B	275	275	292	545	130	φ65	φ18	220×160	180×120	SD61-0.5	205	JG2-2	250	SLS-4
65-125(I)	200	200	237.5	510	130	φ65	φ18	200×140	160×100	SD61-0.5	205	-	-	SLS-3
65-160(I)	200	200	257.5	510	120	φ65	φ18	200×140	160×100	SD61-0.5	195	-	-	SLS-3
65-200(I)	215	215	287.5	570	125	φ65	φ18	200×140	160×100	SD61-0.5	200	-	-	SLS-3
65-200(I)A	215	215	257.5	545	125	φ65	φ18	200×140	160×100	SD61-0.5	200	-	-	SLS-3
65-250(I)	240	240	287.5	585	130	φ65	φ18	220×160	180×120	SD61-0.5	205	JG2-2	250	SLS-4
65-250(I)A	240	240	287.5	585	130	φ65	φ18	220×160	180×120	SD61-0.5	205	JG2-2	250	SLS-4
65-250(I)B	240	240	287.5	585	130	φ65	φ18	220×160	180×120	SD61-0.5	205	JG2-2	250	SLS-4
65-315(I)	290	290	347.5	680	140	φ65	φ18	280×200	220×160	SD61-0.5	215	JG3-2	260	SLS-6
65-315(I)A	290	290	347.5	680	140	φ65	φ18	280×200	220×160	SD61-0.5	215	JG3-2	260	SLS-6
65-315(I)B	290	290	310	595	140	φ65	φ18	280×200	220×160	SD61-0.5	215	JG3-2	260	SLS-6
80-125	200	200	237.5	510	130	φ80	φ18	200×140	160×100	SD61-0.5	205	-	-	SLS-3
80-160	200	200	257.5	510	120	φ80	φ18	200×140	160×100	SD61-0.5	195	-	-	SLS-3
80-200	215	215	287.5	570	125	φ80	φ18	200×140	160×100	SD61-0.5	200	-	-	SLS-3
80-200A	215	215	257.5	545	125	φ80	φ18	200×140	160×100	SD61-0.5	200	-	-	SLS-3
80-250	240	240	287.5	585	130	φ80	φ18	220×160	180×120	SD61-0.5	205	JG2-2	250	SLS-4
80-250A	240	240	287.5	585	130	φ80	φ18	220×160	180×120	SD61-0.5	205	JG2-2	250	SLS-4
80-250B	240	240	287.5	585	130	φ80	φ18	220×160	180×120	SD61-0.5	205	JG2-2	250	SLS-4
80-315	290	290	347.5	680	140	φ80	φ18	280×220	220×160	SD61-0.5	215	JG3-2	282	SLS-6
80-315A	290	290	347.5	680	140	φ80	φ18	280×220	220×160	SD61-0.5	215	JG3-2	282	SLS-6
80-315B	290	290	332	615	140	φ80	φ18	280×220	220×160	SD61-0.5	215	JG3-2	282	SLS-6
80-125(I)	215	225	292	573	140	φ80	φ18	220×160	180×120	SD61-0.5	215	-	-	SLS-4
80-160(I)	240	260	305	603	150	φ80	φ18	220×160	180×120	SD61-0.5	225	-	-	SLS-4
80-160(I)A	240	260	292	578	150	φ80	φ18	220×160	180×120	SD61-0.5	225	-	-	SLS-4

TTABB-SLSD type pump dimension table

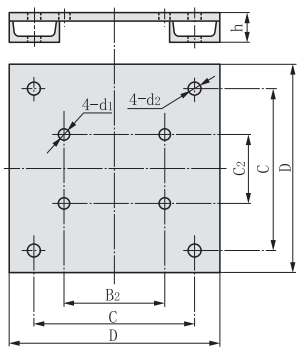
Type	Figure dimensions						Foot dimensions			Isolation selection and installing dimensions				
	L1	L2	B	H	h	DN	d1	B1×C1	B2×C2	Vibration isolated pad		Vibration isolator		Connection board
										Type	H1	Type	H1	Type
80-200(I)	240	240	304.5	596	135	φ80	φ18	220×160	180×120	SD61-0.5	210	JG2-2	255	SLS-4
80-200(I)A	240	240	304.5	596	135	φ80	φ18	220×160	180×120	SD61-0.5	210	JG2-2	255	SLS-4
80-250(I)	270	270	378	683	145	φ80	φ18	220×160	180×120	SD61-0.5	220	JG2-2	287	SLS-4
80-250(I)A	270	270	363	628	145	φ80	φ18	220×160	180×120	SD61-0.5	220	JG2-2	287	SLS-4
80-250(I)B	270	270	363	628	145	φ80	φ18	220×160	180×120	SD61-0.5	220	JG2-2	287	SLS-4
80-315(I)	315	315	432.5	811	160	φ80	φ22	270×210	220×160	SD61-1	235	JG3-2	302	SLS-6
80-315(I)A	315	315	369	741	160	φ80	φ22	270×210	220×160	SD61-1	235	JG3-2	302	SLS-6
80-315(I)B	315	315	369	741	160	φ80	φ22	270×210	220×160	SD61-1	235	JG3-2	302	SLS-6
100-125	215	235	292	573	140	φ100	φ18	220×160	180×120	SD61-0.5	215	-	-	SLS-4
100-160	240	260	305	603	150	φ100	φ18	220×160	180×120	SD61-0.5	225	-	-	SLS-4
100-160A	240	260	292	578	150	φ100	φ18	220×160	180×120	SD61-0.5	225	-	-	SLS-4
100-200	240	240	304.5	596	135	φ100	φ18	220×160	180×120	SD61-0.5	210	-	-	SLS-4
100-200A	240	240	304.5	596	135	φ100	φ18	220×160	180×120	SD61-0.5	210	-	-	SLS-4
100-250	270	270	378	683	145	φ100	φ18	220×160	180×120	SD62-1	243	JG2-2	265	SLS-4
100-250A	270	270	363	628	145	φ100	φ18	220×160	180×120	SD62-1	243	JG2-2	265	SLS-4
100-250B	270	270	363	628	145	φ100	φ18	220×160	180×120	SD62-1	243	JG2-2	265	SLS-4
100-315	315	315	432.5	811	160	φ100	φ22	280×220	220×160	SD62-1	258	JG3-2	302	SLS-6
100-315A	315	315	369	741	160	φ100	φ22	280×220	220×160	SD62-1	258	JG2-2	302	SLS-6
100-315B	315	315	369	741	160	φ100	φ22	280×220	220×160	SD62-1	258	JG2-2	302	SLS-6
100-125(I)	250	270	302	600	145	φ100	φ22	280×200	220×160	SD61-1	220	-	-	SLS-6
100-160(I)	250	270	333	630	165	φ100	φ22	280×200	220×160	SD61-1	240	JG3-2	307	SLS-6
100-200(I)	280	290	412	737	160	φ100	φ22	260×220	220×160	SD61-1	265	JG3-2	332	SLS-6
100-200(I)A	280	290	412	672	160	φ100	φ22	260×220	220×160	SD61-1	265	-	-	SLS-6

Pump spare parts and installation basic figure table

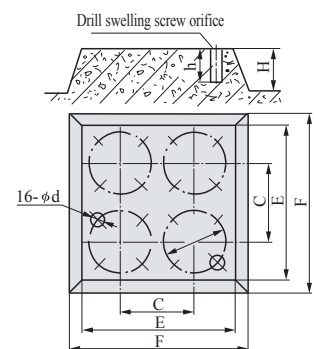
TTABB-Series of Single Stage Single Suction Vertical Centrifugal Pump

Installation basic drawing for TTABB-SLS type pump non-isolation

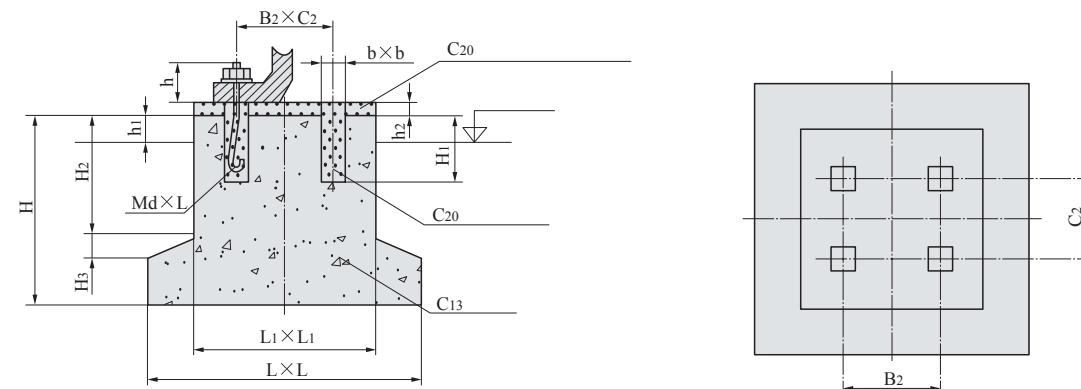
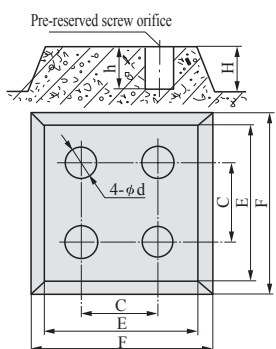
Connection board



Basic figure for flexible joint



Basic figure for rigid joint

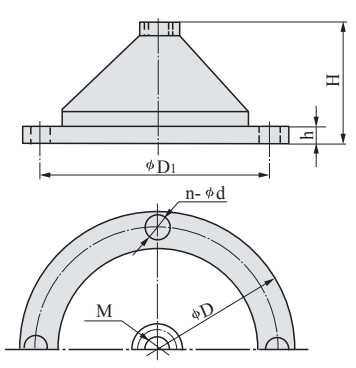


Type	Connection board dimensions					Basic dimensions for flexible joint					Basic dimensions for rigid joint								
	B2×C2	C×C	D×D	h	d1	d	H	E	F	C	φD	φd	h	H	E	F	C	φd	h
SLS-1	120×70	240×240	300×300	55	φ14	φ12	200	450	500	240	/	/	/	100	450	500	240	60	200
SLS-2	130×80	240×240	300×300	55	φ14	φ12	200	450	500	240	/	/	/	100	450	500	240	60	200
SLS-3	160×100	340×340	400×400	55	φ18	φ14	250	650	700	340	φ14.5	60	150	650	700	340	80	250	
SLS-4	180×120	340×340	400×400	55	φ18	φ14	250	650	700	340	φ14.5	60	150	650	700	340	80	250	
SLS-5	200×140	340×340	400×400	55	φ22	φ18	250	650	700	340	φ14.5	60	150	650	700	340	80	250	
SLS-6	220×160	340×340	400×400	55	φ22	φ18	250	650	700	340	φ14.5	60	150	650	700	340	80	250	
SLS-7	240×120	340×340	400×400	55	φ22	φ18	250	650	700	340	φ14.5	60	150	650	700	340	80	250	
SLS-8	260×210	440×440	500×500	55	φ22	φ18	300	750	800	440	φ14.5	60	200	750	800	440	80	250	
SLS-9	280×190	440×440	500×500	55	φ22	φ18	300	750	800	440	φ14.5	60	200	750	800	440	80	250	
SLS-10	280×200	440×440	500×500	55	φ22	φ18	300	750	800	440	φ14.5	60	200	750	800	440	80	250	
SLS-11	280×230	440×440	500×500	55	φ22	φ18	300	750	800	440	φ14.5	60	200	750	800	440	80	250	
SLS-12	300×250	540×540	600×600	55	φ22	φ18	300	850	950	540	φ14.5	60	200	850	950	540	80	250	
SLS-13	350×300	540×540	600×600	55	φ22	φ18	300	850	950	540	φ14.5	60	200	850	950	540	80	250	
SLS-14	400×300	740×740	800×800	55	φ26	φ22	350	1000	1100	740	φ14.5	60	250	1000	1100	740	80	300	
SLS-15	430×330	740×740	800×800	55	φ26	φ22	350	1000	1100	740	φ14.5	60	250	1000	1100	740	80	300	
SLS-16	450×350	740×740	800×800	55	φ26	φ22	350	1000	1100	740	φ14.5	60	250	1000	1100	740	80	300	
SLS-17	450×400	740×740	800×800	55	φ26	φ22	350	1000	1100	740	φ14.5	60	250	1000	1100	740	80	300	
SLS-18	480×430	840×840	900×900	55	φ26	φ22	350	1200	1300	840	φ14.5	60	250	1200	1300	840	80	300	
SLS-19	480×400	740×740	800×800	55	φ26	φ22	350	1000	1100	740	φ14.5	60	250	1000	1100	740	80	300	

TTABB-SLSTable of basic dimension for over-500kg non-isolation water pump

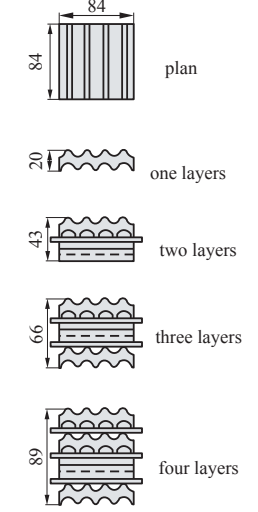
Type	B2	C2	b	L	L1	H	H1	H2	H3	h	h1	h2	Md×L
80-315(I)	220	160	100	850	650	880	600	745	80	65	50	50	M20×600
100-315	220	160	100	850	650	880	600	745	80	65	50	50	M20×600
100-350	280	200	100	900	730	880	600	765	80	70	50	50	M20×600
125-250	220	160	100	850	650	880	600	745	80	65	50	50	M20×600
125-315	300	250	100	950	750	880	600	765	80	65	50	50	M20×600
150-250(I)	260	210	100	900	700	880	600	765	80	65	50	50	M20×600
150-315(I)	260	210	100	900	700	880	600	765	80	65	50	50	M20×600
150-350	300	250	100	950	750	880	600	765	80	65	50	50	M20×600
150-400	260	210	100	900	700	880	600	765	80	65	50	50	M20×600
150-500	300	250	100	950	750	880	600	765	80	65	50	50	M20×600
200-315	260	210	100	900	700	880	600	765	80	65	50	50	M20×600
200-400	300	250	100	950	750	880	600	765	80	65	50	50	M20×600
200-315G	300	250	100	950	750	880	600	765	80	65	50	50	M20×600
200-400G	300	250	100	950	750	880	600	765	80	65	50	50	M20×600
200-500G	300	250	100	950	750	880	600	765	80	65	50	50	M20×600
200-200(I)	300	250	100	950	750	880	600	765	80	65	50	50	M20×600
200-250(I)	300	250	100	950	750	880	600	765	80	65	50	50	M20×600
200-315(I)	300	250	100	950	750	880	600	765	80	65	50	50	M20×600
200-400(I)	300	250	100	950	750	880	600	765	80	65	50	50	M20×600
250-250	350	300	100	1000	800	880	600	765	80	65	50	50	M20×600
250-250(I)	350	300	100	1000	800	880	600	765	80	65	50	50	M20×600
250-235	350	300	100	1000	800	880	600	765	80	65	50	50	M20×600
250-315	350	300	100	1000	800	880	600	765	80	65	50	50	M24×600
250-400	430	330	120	1100	850	1100	600	765	80	90	50	50	M24×600
250-500	450	350	120	1200	900	1100	600	845	90	100	50	50	M24×600
300-235	400	300	120	1100	850	880	600	765	80	90	50	50	M24×600
300-250	400	300	120	1100	850	880	600	765	80	90	50	50	M24×600
300-300	430	330	120	1100	850	1100	600	765	80	90	50	50	M24×600
300-315	450	350	120	1200	900	1100	600	845	90	100	50	50	M24×600
300-400	480	430	120	1400	1000	1400	600	915	100	120	50	50	M24×600
300-450	480	430	120	1400	1000	1400	600	915	100	120	50	50	M24×600
300-500	480	430	120	1400	1000	1400	600	915	100	120	50	50	M24×600
350-235	450	400	120	1200	900	1100	600	915	90	120	50	50	M24×600
350-300	450	400	120	1200	900	1100	600	915	90	120	50	50	M24×600
350-315	450	400	120	1200	900	1100	600	915	90	120	50	50	M24×600
350-400	450	400	120	1200	900	1100	600	915	90	120	50	50	M24×600
350-450	450	400	120	1200	900	1100	600	915	90	120	50	50	M24×600
350-525	480	430	120	1400	1000	1400	600	915	100	120	50	50	M24×600
350-600	480	430	120	1400	1000	1400	600	915	100	120	50	50	M24×600
350-315G	450	400	120	1200	900	1100	600	915	90	120	50	50	M24×600
350-400G	450	400	120	1200	900	1100	600	915	90	120	50	50	M24×600
350-450G	480	430	120	1400	1000	1400	600	915	100	120	50	50	M24×600
350-525G	480	430	120	1400	1000	1400	600	915	100	120	50	50	M24×600
350-620G	480	430	120	1400	1000	1400	600	915	100	120	50	50	M24×600
350-315(I)	450	400	120	1200	900	1100	600	915	90	120	50	50	M24×600
350-400(I)	450	400	120	1200	900	1100	600	915	90	120	50	50	M24×600
400-300	480	400	120	1200	900	1100	600	915	90	120	50	50	M24×600
400-315	480	400	120	1200	900	1100	600	915	90	120	50	50	M24×600
400-450	480	430	120	1400	1000	1400	600	915	100	120	50	50	M24×600
400-500	480	430	120	1400	1000	1400	600	915	100	120	50	50	M24×600
500-300	480	430	120	1400	1000	1400	600	915	100	120	50	50	M24×600
500-315	480	430	120	1400	1000	1400	600	915	100	120	50	50	M24×600

Installation dimensions for vibration isolator



Type	M	D	D1	H	d	h
JG1-2	M10	100	80	43	8.5	4
JG2-2	M12	150	130	65	8.5	4
JG3-2	M16	200	170	87	12.5	4
JG4-2	M20	290	260	133	12.5	4

SD Vibration-insulating pad

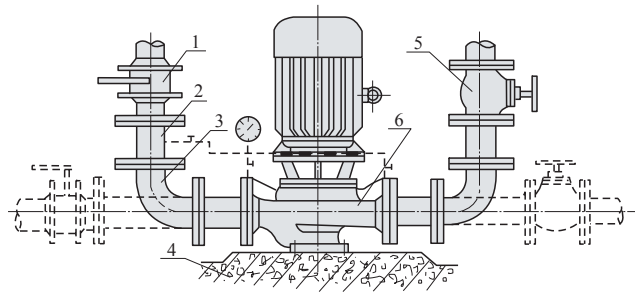


one basic block per layer



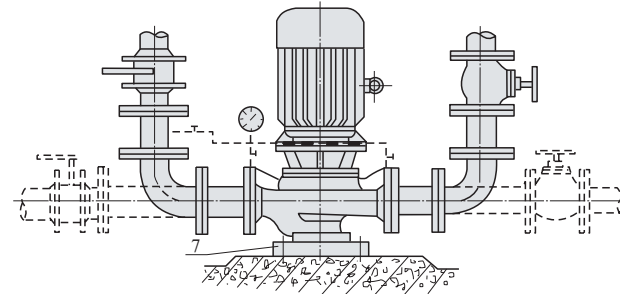
Installation methods for pump

1、 Direct mounting

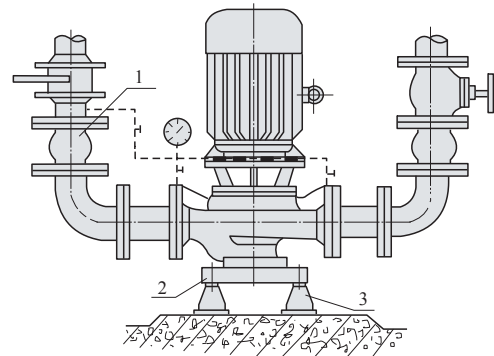


- 1、 inlet valve 2、 pressure-picking straight tube 3、 bent tube 4、 adope cement pouring basement
5、 outlet valve 6、 pump 7、 connection board

2、 Mounted with connection board

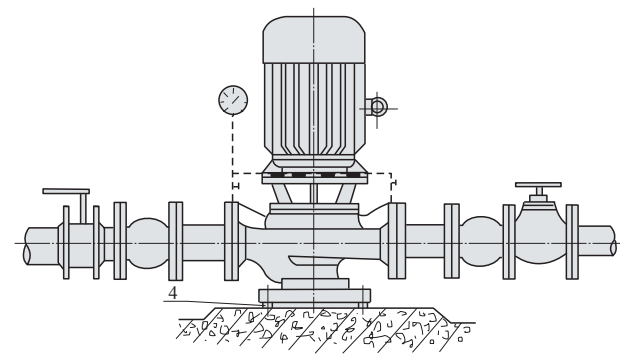


1、 Mounted with connection board and vibration isolator



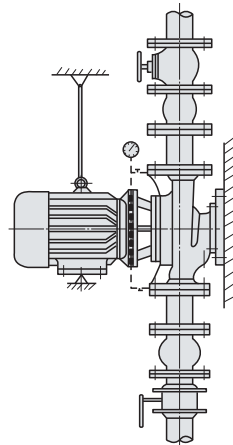
- 1、 flexible joint 2、 connection board
4、 SD vibration-insulating pads
3、 For outdoor usage adopt IP54 motor(outdoor type)

2、 Mounted with connection board and vibration-insulating pad



3、 JG vibration isolator

4、 Partial usage projects



Note: The vibration isolator is fixed on the base by the help of expansion screws.

Reference table for pipeline loss

Pipe diameter (mm)	Capacity (L/s)																								
	1	2	4	6	8	10	15	20	30	40	50	60	70	80	90	100	110	120	130	140	160	180	200	300	
25	32.7	13.0																							
38	3.5	1.4	5.5																						
50	0.8	3.1	1.3	2.9																					
65		1.6	3.2	7.1	1.3	2.0																			
75		0.4	0.8	3.3	5.9	9.6	21.6																		
100			0.23	0.8	1.3	2.1	6.8	8.6	13	19.4															
125				0.23	0.4	0.63	1.3	2.7	4.1	5.9	10.7														
150					0.16	0.26	0.58	1.1	1.6	2.3	4.2	6.4	9.4												
175						0.11	0.27	0.5	0.74	1.05	1.9	2.9	4.3	5.8	7.7	9.6									
200							0.13	0.26	0.37	0.53	0.93	1.5	2.1	2.9	3.7	4.7	6.1	7.2	8.5						
250								0.07	0.12	0.18	0.30	0.48	0.68	0.93	1.2	1.5	1.9	2.3	2.8	3.3	3.7	4.9	5.2		
300									0.07	0.12	0.19	0.27	0.37	0.49	0.61	0.76	0.9	1.1	1.3	1.5	2.0	2.4	2.4	3.0	

Brief table for the frictional loss of a straight pipe (for evaluation), the lost meters of a 100m straight pipe takes the newly cast iron pipe as the standard and multiple for the old one.

Limit of the maximum flow for a pipe with a certain diameter

Pipeline diameter (mm)	Maximum flow (L/s)	Maximum flow rate (m/s)	Pipeline diameter (mm)	Maximum flow (L/s)	Maximum flow rate (m/s)
25	1	2.04	125	30.0	2.44
38	2.5	1.69	150	43.0	2.45
50	4.17	2.12	175	60.0	2.49
65	6.67	2.01	200	83.3	2.69
75	10.0	2.26	250	133.0	2.72
100	18.4	2.33	300	192.0	2.71

Note: The pipeline loss would be made greatly increased once the limit is over.

The length of a straight pipe converted into from both valve and elbow(each)

Variety	Convert into the times of the diameter of a straight pipe	Remark
Standard elbow	12	Multiple in case of unopen
Fully opened gate valve	25	
Back valve	100	
Foot valve	100	Partial block-up multiplied

Note: For instance, a 100mm diameter pipe, the foot valve has a 100×100=10000mm=10m diameter when which is converted into 100 times that of the pipe's diameter. Suppose the flow is 8L/s, looked into the above table, the loss of the straight pipe is 1.3m each 100m, then the one for 100mm is 0.13m, that is, for a 100mm foot valve with a flow 8L/s, its head loss is 0.13m.



TORONTECH™

Pumps and Valves

TTABB



TORONTECH™

Torontech™ – North America
TEL: +1 (416) 368-2721
FAX: +1 (416) 981-7652
E-MAIL: sales@torontech.com
WEB: www.torontech.com

Please contact us for your nearest local office or distributor

Torontech Inc. - Canada
North American Headquarters
Tel: +1.416.368.2721
Fax: +1.416.981.7652
Email: sales@torontech.com
www.torontech.com

Torontech Inc. - Canada
North American Headquarters
Tel: +1.416.368.2721
Fax: +1.416.981.7652
Email: sales@torontech.com
www.torontech.com